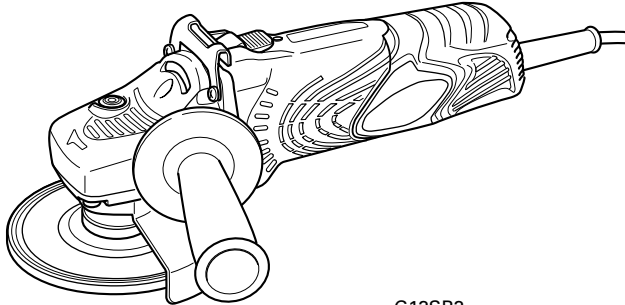


HITACHI

Disc Grinder
Winkelschleifer
Meuleuse
Smerigliatrice angolare
Haakse slijpmachine
Amoladora angular
Rebarbadora
Γωνιακός τροχός λειάνσεως/κοπής

G 12SA3 · G 13SB3



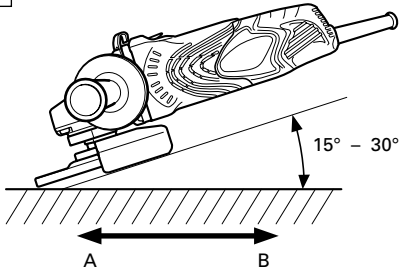
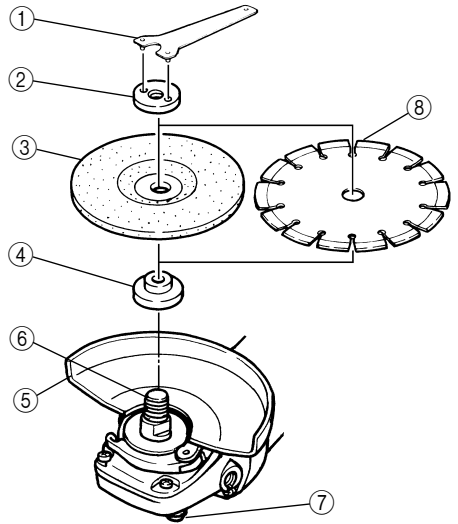
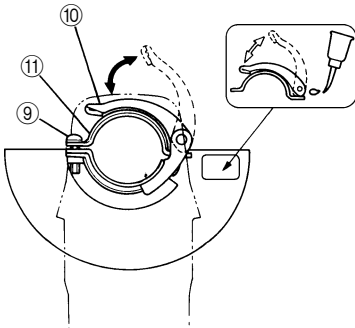
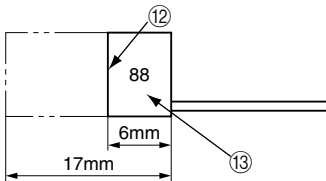
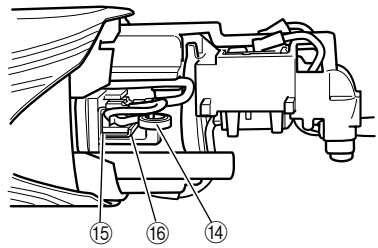
G13SB3

Read through carefully and understand these instructions before use.
Diese Anleitung vor Benutzung des Werkzeugs sorgfältig durchlesen und verstehen.
Lire soigneusement et bien assimiler ces instructions avant usage.
Prima dell'uso leggere attentamente e comprendere queste istruzioni.
Deze gebruiksaanwijzing s.v.p. voor gebruik zorgvuldig doorlezen.
Leer cuidadosamente y comprender estas instrucciones antes del uso.
Antes de usar, lea con cuidado para assimilar estas instrucciones.
Διαβάστε προσεκτικά και κατανοήστε αυτές τις οδηγίες πριν τη χρήση.



Handling instructions
Bedienungsanleitung
Mode d'emploi
Istruzioni per l'uso
Gebruiksaanwijzing
Instrucciones de manejo
Instruções de uso
Οδηγίες χειρισμού

Hitachi Koki

1**2****3****4****5**

	English	Deutsch	Français	Italiano
①	Wrench	Schlüssel	Clef	Chiave
②	Wheel nut	Mutter für Schleifscheibe	Ecrou de la meule	Dado ad anello
③	Depressed center wheel	Schleifscheibe	Meule	Mola
④	Wheel washer	Unterlegscheibe	Rondelle de la meule	Rondella "grover"
⑤	Wheel guard	Schutzhaube	Couvre-meule	Carter della mola
⑥	Spindle	Spindel	Arbre	Asse
⑦	Push button	Drukknop	Bouton-poussoir	Tasto di blocco dell'asse
⑧	Diamond wheel	Diamantscheide	Disque diamant	Disco diamantata
⑨	M5 screw	M5-Schraube	Vis M5	Vita M5
⑩	Lever	Hebel	Levier	Leva
⑪	Set piece (B)	Einstellstück	Pièce de fixation (B)	Pezzo fisso (B)
⑫	Wear limit	Verschleißgrenze	Limite d'usure	Límite di usura
⑬	No. of carbon brush	Nr. der Kohlebürste	No. du balai en carbone	N. della spazzola di carbone
⑭	Spring	Feder	Ressort	Molla
⑮	Carbon brush	Kohlebürste	Balai en carbone	Spazzola di carbone
⑯	Brush holder	Bürstenhalter	Support de balai	Portaspazzola

	Nederlands	Español	Português	Ελληνικά
①	Sleutel	Llave para tuercas	Chave inglesa	Κλειδί
②	Moer voor de schuurschijf	Contratuercas molar	Arruela de roda	Παξιμάδι τροχού
③	Schuurschijf	Muela de alisado	Esmeril	Χαμηλωμένος κεντρικά τροχός
④	Onderlegschijf	Arandela molar	Porca de roda	Ροδέλλα τροχού
⑤	Beschermkap	Cubierta protector de muela	Proteção de roda	Προφυλακτήρας τροχού
⑥	As	Eje	Eixo	Άξονας
⑦	Drukknop	Botón pulsador	Botão de pressão	Κουμπί ώθησης
⑧	Diamantzaagblad	Adiamantado	Disco adiamantado	Διαμαντένιος τροχός
⑨	M5 schroef	Tornillo M5	Parafuso M5	M5 Βίδα
⑩	Hendel	Palanca	Alavanca	Μοχλός
⑪	Stelstuk (B)	Pieza de ajuste (B)	Peça de ajuste (B)	Τμήμα ρύθμισης (B)
⑫	Slijtagegrens	Límite de uso	Limite de desgaste	Όριο φθοράς
⑬	Nr. van de koolborstel	No. de carbón de contacto	Nº de escova de carvão	Αρ. Καρβουνακιού
⑭	Veer	Resorte	Mola	Ελατήριο
⑮	Koolborstel	Carbón de contacto	Escova de carvão	Καρβουνάκι
⑯	Borstelhouder	Portaescobilla	Suporte de escova	Θήκη ψύκτρας

	Symbols ⚠️ WARNING The following show symbols used for the machine. Be sure that you understand their meaning before use.	Symbole ⚠️ WARNUNG Die folgenden Symbole werden für diese Maschine verwendet. Achten Sie darauf, diese vor der Verwendung zu verstehen.	Symboles ⚠️ AVERTISSEMENT Les symboles suivants sont utilisés pour l'outil. Bien se familiariser avec leur signification avant d'utiliser l'outil.	Simboli ⚠️ AVVERTENZA Di seguito mostriamo i simboli usati per la macchina. Assicuratevi di comprenderne il significato prima dell'uso.
	Read all safety warnings and all instructions. Failure to follow the warnings and instructions may result in electric shock, fire and/or serious injury.	Lesen Sie sämtliche Sicherheitshinweise und Anweisungen durch. Wenn die Warnungen und Anweisungen nicht befolgt werden, kann es zu Stromschlag, Brand und/oder ernsthaften Verletzungen kommen.	Lire tous les avertissements de sécurité et toutes les instructions. Tout manquement à observer ces avertissements et instructions peut engendrer des chocs électriques, des incendies et/ou des blessures graves.	Leggere tutti gli avvertimenti di sicurezza e tutte le istruzioni. La mancata osservanza degli avvertimenti e delle istruzioni potrebbe essere causa di scosse elettriche, incendi e/o gravi lesioni.
	Always wear eye protection.	Tragen Sie immer einen Augenschutz.	Toujours porter des verres de protection.	Indossate sempre le protezioni oculari.
	Only for EU countries Do not dispose of electric tools together with household waste material! In observance of European Directive 2002/96/EC on waste electrical and electronic equipment and its implementation in accordance with national law, electric tools that have reached the end of their life must be collected separately and returned to an environmentally compatible recycling facility.	Nur für EU-Länder Werfen Sie Elektrowerkzeuge nicht in den Hausmüll! Gemäss Europäischer Richtlinie 2002/96/EG über Elektro- und Elektronik-Altgeräte und Umsetzung in nationales Recht müssen verbrauchte Elektrowerkzeuge getrennt gesammelt und einer umweltgerechten Wiederverwertung zugeführt werden.	Pour les pays européens uniquement Ne pas jeter les appareils électriques dans les ordures ménagères! Conformément à la directive européenne 2002/96/EG relative aux déchets d'équipements électriques ou électroniques (DEEE), et à sa transposition dans la législation nationale, les appareils électriques doivent être collectés à part et être soumis à un recyclage respectueux de l'environnement.	Solo per Paesi UE Non gettare le apparecchiature elettriche tra i rifiuti domestici. Secondo la Direttiva Europea 2002/96/CE sui rifiuti di apparecchiature elettriche ed elettroniche e la sua attuazione in conformità alle norme nazionali, le apparecchiature elettriche esauste devono essere raccolte separatamente, al fine di essere reimpiegate in modo eco-compatibile.
	Symbolen ⚠️ WAARSCHUWING Hieronder staan symbolen afgebeeld die van toepassing zijn op deze machine. U moet de betekenis hiervan begrijpen voor gebruik.	Símbolos ⚠️ ADVERTENCIA A continuación se muestran los símbolos usados para la máquina. Asegúrese de comprender su significado antes del uso.	Símbolos ⚠️ AVISO A seguir aparecem os símbolos utilizados pela máquina. Assimile bem seus significados antes do uso.	Σύμβολα ⚠️ ΠΡΟΣΟΧΗ Τα παρακάτω δείχνουν τα σύμβολα που χρησιμοποιούνται στο μηχάνημα. Βεβαιωθείτε ότι κατανοείτε τη σημασία τους πριν τη χρήση.
	Lees alle waarschuwingen en instructies aandachtig door. Nalating om de waarschuwingen en instructies op te volgen kan in een elektrische schok, brand en/of ernstig letsel resulteren.	Lea todas las instrucciones y advertencias de seguridad. Si no se siguen las advertencias e instrucciones, podría producirse una descarga eléctrica, un incendio y/o daños graves.	Leia todas as instruções e avisos de segurança. Se não seguir todas as instruções e os avisos, pode provocar um choque eléctrico, incêndio e/ou ferimentos graves.	Διαβάστε όλες τις προειδοποιήσεις ασφαλείας και όλες τις οδηγίες. Η μη τήρηση των προειδοποιήσεων και οδηγιών μπορεί να προκαλέσει ηλεκτροπληξία, πυρκαγιά και/ή σοβαρό τραυματισμό.
	Draag altijd oogbescherming.	Utilice siempre una protección ocular.	Utilize sempre protecção para os olhos.	Φοράτε πάντα τον κατάλληλο εξοπλισμό για την προστασία των ματιών.
	Alleen voor EU-landen Geef elektrisch gereedschap niet met het huisvuil mee! Volgens de Europese richtlijn 2002/96/EG inzake oude elektrische en elektronische apparaten en de toepassing daarvan binnen de nationale wetgeving, dient gebruikt elektrisch gereedschap gescheiden te worden ingezameld en te worden afgevoerd naar een recycle bedrijf dat voldoet aan de geldende milieu-eisen.	Sólo para países de la Unión Europea ¡No desheche los aparatos eléctricos junto con los residuos domésticos! De conformidad con la Directiva Europea 2002/96/CE sobre residuos de aparatos eléctricos y electrónicos y su aplicación de acuerdo con la legislación nacional, las herramientas eléctricas cuya vida útil haya llegado a su fin se deberán recoger por separado y trasladar a una planta de reciclaje que cumpla con las exigencias ecológicas.	Apenas para países da UE Não deite ferramentas eléctricas no lixo doméstico! De acordo com a directiva europeia 2002/96/CE sobre ferramentas eléctricas e electrónicas usadas e a transposição para as leis nacionais, as ferramentas eléctricas usadas devem ser recolhidas em separado e encaminhadas a uma instalação de reciclagem dos materiais ecológica.	Μόνο για τις χώρες της ΕΕ Μην πετάτε τα ηλεκτρικά εργαλεία στον κάδο οικιακών απορριμμάτων! Σύμφωνα με την ευρωπαϊκή οδηγία 2002/96/ΕΚ περί ηλεκτρικών και ηλεκτρονικών συσκευών και την ενσωμάτωσή της στο εθνικό δίκαιο, τα ηλεκτρικά εργαλεία πρέπει να συλλέγονται ξεχωριστά και να επιστρέφονται για ανακύκλωση με τρόπο φιλικό προς το περιβάλλον.

GENERAL POWER TOOL SAFETY WARNINGS

WARNING

Read all safety warnings and all instructions.

Failure to follow the warnings and instructions may result in electric shock, fire and/or serious injury.

Save all warnings and instructions for future reference.

The term "power tool" in the warnings refers to your mains-operated (corded) power tool or battery-operated (cordless) power tool.

1) Work area safety

- a) **Keep work area clean and well lit.**

Cluttered or dark areas invite accidents.

- b) **Do not operate power tools in explosive atmospheres, such as in the presence of flammable liquids, gases or dust.**

Power tools create sparks which may ignite the dust or fumes.

- c) **Keep children and bystanders away while operating a power tool.**

Distractions can cause you to lose control.

2) Electrical safety

- a) **Power tool plugs must match the outlet.**

Never modify the plug in any way.

Do not use any adapter plugs with earthed (grounded) power tools.

Unmodified plugs and matching outlets will reduce risk of electric shock.

- b) **Avoid body contact with earthed or grounded surfaces, such as pipes, radiators, ranges and refrigerators.**

There is an increased risk of electric shock if your body is earthed or grounded.

- c) **Do not expose power tools to rain or wet conditions.**

Water entering a power tool will increase the risk of electric shock.

- d) **Do not abuse the cord. Never use the cord for carrying, pulling or unplugging the power tool.**

Keep cord away from heat, oil, sharp edges or moving parts.

Damaged or entangled cords increase the risk of electric shock.

- e) **When operating a power tool outdoors, use an extension cord suitable for outdoor use.**

Use of a cord suitable for outdoor use reduces the risk of electric shock.

- f) **If operating a power tool in a damp location is unavoidable, use a residual current device (RCD) protected supply.**

Use of an RCD reduces the risk of electric shock.

3) Personal safety

- a) **Stay alert, watch what you are doing and use common sense when operating a power tool.**

Do not use a power tool while you are tired or under the influence of drugs, alcohol or medication.

A moment of inattention while operating power tools may result in serious personal injury.

- b) **Use personal protective equipment. Always wear eye protection.**

Protective equipment such as dust mask, non-skid safety shoes, hard hat, or hearing protection used for appropriate conditions will reduce personal injuries.

- c) **Prevent unintentional starting. Ensure the switch is in the off-position before connecting to power source and/or battery pack, picking up or carrying the tool.**

Carrying power tools with your finger on the switch or energising power tools that have the switch on invites accidents.

- d) **Remove any adjusting key or wrench before turning the power tool on.**

A wrench or a key left attached to a rotating part of the power tool may result in personal injury.

- e) **Do not overreach. Keep proper footing and balance at all times.**

This ensures better control of the power tool in unexpected situations.

- f) **Dress properly. Do not wear loose clothing or jewellery. Keep your hair, clothing and gloves away from moving parts.**

Loose clothes, jewellery or long hair can be caught in moving parts.

- g) **If devices are provided for the connection of dust extraction and collection facilities, ensure these are connected and properly used.**

Use of dust collection can reduce dust related hazards.

4) Power tool use and care

- a) **Do not force the power tool. Use the correct power tool for your application.**

The correct power tool will do the job better and safer at the rate for which it was designed.

- b) **Do not use the power tool if the switch does not turn it on and off.**

Any power tool that cannot be controlled with the switch is dangerous and must be repaired.

- c) **Disconnect the plug from the power source and/or the battery pack from the power tool before making any adjustments, changing accessories, or storing power tools.**

Such preventive safety measures reduce the risk of starting the power tool accidentally.

- d) **Store idle power tools out of the reach of children and do not allow persons unfamiliar with the power tool or these instructions to operate the power tool.**

Power tools are dangerous in the hands of untrained users.

- e) **Maintain power tools. Check for misalignment or binding of moving parts, breakage of parts and any other condition that may affect the power tool's operation.**

If damaged, have the power tool repaired before use.
Many accidents are caused by poorly maintained power tools.

- f) **Keep cutting tools sharp and clean.**

Properly maintained cutting tools with sharp cutting edges are less likely to bind and are easier to control.

- g) **Use the power tool, accessories and tool bits etc. in accordance with these instructions, taking into account the working conditions and the work to be performed.**

Use of the power tool for operations different from those intended could result in a hazardous situation.

5) Service

- a) **Have your power tool serviced by a qualified repair person using only identical replacement parts.**

This will ensure that the safety of the power tool is maintained.

PRECAUTION

Keep children and infirm persons away.

When not in use, tools should be stored out of reach of children and infirm persons.

SAFETY WARNINGS COMMON FOR GRINDING OR ABRASIVE CUTTING-OFF OPERATIONS

- a) **This power tool is intended to function as a grinder or cut-off tool. Read all safety warnings, instructions, illustrations and specifications provided with this power tool.**

Failure to follow all instructions listed below may result in electric shock, fire and/or serious injury.

- b) **Operations such as sanding, wire brushing or polishing are not recommended to be performed with this power tool.**

Operations for which the power tool was not designed may create a hazard and cause personal injury.

- c) **Do not use accessories which are not specifically designed and recommended by the tool manufacturer.**

Just because the accessory can be attached to your power tool, it does not assure safe operation.

- d) **The rated speed of the accessory must be at least equal to the maximum speed marked on the power tool.**

Accessories running faster than their rated speed can break and fly apart.

- e) **The outside diameter and the thickness of your accessory must be within the capacity rating of your power tool.**

Incorrectly sized accessories cannot be adequately guarded or controlled.

- f) **The arbour size of wheels, flanges, backing pads or any other accessory must properly fit the spindle of the power tool.**

Accessories with arbour holes that do not match the mounting hardware of the power tool will run out of balance, vibrate excessively and may cause loss of control.

- g) **Do not use a damaged accessory. Before each use inspect the accessory such as abrasive wheels for chips and cracks, backing pad for cracks, tear or excess wear, wire brush for loose or cracked wires. If power tool or accessory is dropped, inspect for damage or install an undamaged accessory. After inspecting and installing an accessory, position yourself and bystanders away from the plane of the rotating accessory and run the power tool at maximum no-load speed for one minute.**

Damaged accessories will normally break apart during this test time.

- h) **Wear personal protective equipment. Depending on application, use face shield, safety goggles or safety glasses. As appropriate, wear dust mask, hearing protectors, gloves and workshop apron capable of stopping small abrasive or workpiece fragments.**

The eye protection must be capable of stopping flying debris generated by various operations. The dust mask or respirator must be capable of filtering particles generated by your operation. Prolonged exposure to high intensity noise may cause hearing loss.

- i) **Keep bystanders a safe distance away from work area. Anyone entering the work area must wear personal protective equipment.**

Fragments of workpiece or of a broken accessory may fly away and cause injury beyond immediate area of operation.

- j) **Hold power tool by insulated gripping surfaces only, when performing an operation where the cutting accessory may contact hidden wiring or its own cord.**

Cutting accessory contacting a "live" wire may make exposed metal parts of the power tool "live" and shock the operator.

- k) **Position the cord clear of the spinning accessory. If you lose control, the cord may be cut or snagged and your hand or arm may be pulled into the spinning accessory.**

- l) **Never lay the power tool down until the accessory has come to a complete stop.**

The spinning accessory may grab the surface and pull the power tool out of your control.

- m) **Do not run the power tool while carrying it at your side.**

Accidental contact with the spinning accessory could snag your clothing, pulling the accessory into your body.

- n) **Regularly clean the power tool's air vents.**

The motor's fan will draw the dust inside the housing and excessive accumulation of powdered metal may cause electrical hazards.

- o) **Do not operate the power tool near flammable materials.**

Sparks could ignite these materials.

- p) **Do not use accessories that require liquid coolants. Using water or other liquid coolants may result in electrocution or shock.**

KICKBACK AND RELATED WARNINGS

Kickback is a sudden reaction to a pinched or snagged rotating wheel, backing pad, brush or any other accessory. Pinching or snagging causes rapid stalling of the rotating accessory which in turn causes the uncontrolled power tool to be forced in the direction opposite of the accessory's rotation at the point of the binding.

For example, if an abrasive wheel is snagged or pinched by the workpiece, the edge of the wheel that is entering into the pinch point can dig into the surface of the material causing the wheel to climb out or kick out. The wheel may either jump toward or away from the operator, depending on direction of the wheel's movement at the point of pinching. Abrasive wheels may also break under these conditions.

Kickback is the result of power tool misuse and/or incorrect operating procedures or conditions and can be avoided by taking proper precautions as given below.

- a) **Maintain a firm grip on the power tool and position your body and arm to allow you to resist kickback forces. Always use auxiliary handle, if provided, for maximum control over kickback or torque reaction during start-up.**

The operator can control torque reactions or kickback forces, if proper precautions are taken.

- b) **Never place your hand near the rotating accessory. Accessory may kickback over your hand.**

- c) **Do not position your body in the area where power tool will move if kickback occurs.**

Kickback will propel the tool in direction opposite to the wheel's movement at the point of snagging.

- d) **Use special care when working corners, sharp edges etc. Avoid bouncing and snagging the accessory.** *Corners, sharp edges or bouncing have a tendency to snag the rotating accessory and cause loss of control or kickback.*
- e) **Do not attach a saw chain woodcarving blade or toothed saw blade.** *Such blades create frequent kickback and loss of control.*

SAFETY WARNINGS SPECIFIC FOR GRINDING AND ABRASIVE CUTTING-OFF OPERATIONS

- a) **Use only wheel types that are recommended for your power tool and the specific guard designed for the selected wheel.** *Wheels for which the power tool was not designed cannot be adequately guarded and are unsafe.*
- b) **The guard must be securely attached to the power tool and positioned for maximum safety, so the least amount of wheel is exposed towards the operator.** *The guard helps to protect operator from broken wheel fragments and accidental contact with wheel.*
- c) **Wheels must be used only for recommended applications. For example: do not grind with the side of cut-off wheel.** *Abrasive cut-off wheels are intended for peripheral grinding, side forces applied to these wheels may cause them to shatter.*
- d) **Always use undamaged wheel flanges that are of correct size and shape for your selected wheel.** *Proper wheel flanges support the wheel thus reducing the possibility of wheel breakage. Flanges for cut-off wheels may be different from grinding wheel flanges.*
- e) **Do not use worn down wheels from larger power tools.** *Wheel intended for larger power tool is not suitable for the higher speed of a smaller tool and may burst.*

ADDITIONAL SAFETY WARNINGS SPECIFIC FOR ABRASIVE CUTTING-OFF OPERATIONS

- a) **Do not “jam” the cut-off wheel or apply excessive pressure. Do not attempt to make an excessive depth of cut.** *Overstressing the wheel increases the loading and susceptibility to twisting or blinding of the wheel in the cut and the possibility of kickback or wheel breakage.*
- b) **Do not position your body in line with and behind the rotating wheel.** *When the wheel, at the point of operation, is moving away from your body, the possible kickback may propel the spinning wheel and the power tool directly at you.*
- c) **When wheel is binding or when interrupting a cut for any reason, switch off the power tool and hold the power tool motionless until the wheel comes to a complete stop. Never attempt to remove the cut-off wheel from the cut while the wheel is in motion otherwise kickback may occur.**

Investigate and take corrective action to eliminate the cause of wheel binding.

- d) **Do not restart the cutting operation in the workpiece. Let the wheel reach full speed and carefully reenter the cut.** *The wheel may bind, walk up or kickback if the power tool is restarted in the workpiece.*
- e) **Support panels or any oversized workpiece to minimize the risk of wheel pinching and kickback.** *Large workpieces tend to sag under their own weight. Supports must be placed under the workpiece near the line of cut and near the edge of the workpiece on both sides of the wheel.*
- f) **Use extra caution when making a “pocket cut” into existing walls or other blind areas.** *The protruding wheel may cut gas or water pipes, electrical wiring or objects that can cause kickback.*

GENERAL SAFETY INSTRUCTIONS FOR GRINDERS

- Check that speed marked on the wheel is equal to or greater than the rated speed of the grinder;
- Ensure that the wheel dimensions are compatible with the grinder;
- Abrasive wheels shall be stored and handled with care in accordance with manufacturer’s instructions;
- Inspect the grinding wheel before use, do not use chipped, cracked or otherwise defective products;
- Ensure that mounted wheels and points are fitted in accordance with the manufacturer’s instructions;
- Ensure that blotters are used when they are provided with the bonded abrasive product and when they are required;
- Ensure that the abrasive product is correctly mounted and tightened before use and run the tool at no-load for 30 s in a safe position, stop immediately if there is considerable vibration or if other defects are detected. If this condition occurs, check the machine to determine the cause;
- If a guard is equipped with the tool never use the tool without such a guard;
- Do not use separate reducing bushings or adapters to adapt large hole abrasive wheels;
- For tools intended to be fitted with threaded hole wheel, ensure that the thread in the wheel is long enough to accept the spindle length;
- Check that the work piece is properly supported;
- Do not use cutting off wheel for side grinding;
- Ensure that sparks resulting from use do not create a hazard e.g. do not hit persons, or ignite flammable substances;
- Ensure that ventilation openings are kept clear when working in dusty conditions, if it should become necessary to clear dust, first disconnect the tool from the mains supply (use non metallic objects) and avoid damaging internal parts;
- Always use eye and ear protection. Other personal protective equipment such as dust mask, gloves, helmet and apron should be worn;
- Pay attention to the wheel that continues to rotate after the tool is switched off.

SPECIFICATIONS

Model	G12SA3	G13SB3	
Voltage (by areas)*	(110V, 230V, 240V) √		
Power Input*	1300 W		
No-load speed*	11000 min ⁻¹		
Wheel	outer dia. × hole dia.	115 × 22 mm	125 × 22 mm
	peripheral speed	80 m/s	
Weight (only main body)	1.9 kg		

*Be sure to check the nameplate on product as it is subject to change by areas.

STANDARD ACCESSORIES

- (1) Depressed center wheel 1
 (2) Wrench 1
 (3) Side handle 1

Standard accessories are subject to change without notice.

APPLICATIONS

- Removal of casting fin and finishing of various types of steel, bronze and aluminum materials and castings.
- Grinding of welded sections or sections cut by means of a cutting torch.
- Grinding of synthetic resins, slate, brick, marble, etc.
- Cutting of synthetic concrete, stone, brick, marble, and similar materials.

PRIOR TO OPERATION

1. Power source

Ensure that the power source to be utilized conforms to the power requirements specified on the product nameplate.

2. Power switch

Ensure that the power switch is in the OFF position. If the plug is connected to a receptacle while the power switch is in the ON position, the power tool will start operating immediately, which could cause a serious accident.

3. Extension cord

When the work area is removed from the power source, use an extension cord of sufficient thickness and rated capacity. The extension cord should be kept as short as practicable.

4. Fitting and adjusting the wheel guard

The wheel guard is a protective device to prevent injury should the depressed center wheel shatter during operation. Ensure that the guard is properly fitted and fastened before commencing grinding operation. By slightly loosening the setting screw, the wheel guard can be turned and set at any desired angle for maximum operational effectiveness. Ensure that the setting screw is thoroughly tightened after adjusting the wheel guard.

[In the case of Tool-less wheel guard](Fig. 3)

- Set the wheel ass'y to the packing gland.
- Tighten M5 screw to secure the wheel guard while the lever is in closed position.

- Perform the adjustment of the wheel guard while the lever is released. (Loosen M5 screw and readjust if the wheel guard does not rotate smoothly.)
- After adjustment, if grinder operation is required, perform the operation only after setting the lever in closed position.

- Lubricate the sliding section of the set piece (B) and the lever if the lever does not move smoothly.

5. Ensure that mounted wheels and points are fitted in accordance with the manufacturer's instructions. Ensure that the depressed center wheel to be utilized is the correct type and free of cracks or surface defects. Also ensure that the depressed center wheel is properly mounted and the wheel nut is securely tightened. Refer to the section on "ASSEMBLING AND DISASSEMBLING THE DEPRESSED CENTER WHEEL"

Ensure that blotters are used when they are provided with the bonded abrasive product and when they are required.

Do not use separate reducing bushings or adaptors to adapt large hole abrasive wheels.

For tools intended to be fitted with threaded hole wheel, ensure that the thread in the wheel is long enough to accept the spindle length.

Do not use cutting off wheel for side grinding.

6. Conducting a trial run

Ensure that the abrasive products is correctly mounted and tightened before use and run the tool at no-load for 30 seconds in a safe position, stop immediately if there is considerable vibration or if other defects are detected.

If this condition occurs, check the machine to determine the cause.

7. Confirm the push button.

Confirm that the push button is disengaged by pushing push button two or three times before switching the power tool on (See Fig. 2).

8. Fixing the side handle.

Screw the side handle into the gear cover.

PRACTICAL GRINDER APPLICATION

1. Pressure

To prolong the life of the machine and ensure a first class finish, it is important that the machine should not be overloaded by applying too much pressure. In most applications, the weight of the machine alone is sufficient for effective grinding. Too much pressure will result in reduced rotational speed, inferior surface finish, and overloading which could reduce the life of the machine.

2. Grinding angle

Do not apply the entire surface of the depressed center wheel to the material to be ground. As shown in Fig. 1, the machine should be held at an angle of 15° – 30° so that the external edge of the depressed center wheel contacts the material at an optimum angle.

- To prevent a new depressed center wheel from digging into the workpiece, initial grinding should be performed by drawing the grinder across the workpiece toward the operator (Fig. 1 direction B). Once the leading edge of the depressed center wheel is properly abraded, grinding may be conducted in either direction.

4. Precautions immediately after finishing operation

The wheel continues to rotate after the tool is switched off. After switching off the machine, do not put it down until the depressed center wheel has come to a complete stop. Apart from avoiding serious accidents, this precaution will reduce the amount of dust and swarf sucked into the machine.

CAUTIONS

- Check that the work piece is properly supported.
- Ensure that ventilation openings are kept clear when working in dusty conditions.
If it should become necessary to clear dust, first disconnect the tool from the mains supply (use non-metallic objects) and avoid damaging internal parts.
- Ensure that sparks resulting from use do not create a hazard e.g. do not hit persons, or ignite flammable substances.
- Always use protective safety glasses and hearing protectors, use other personal protective equipment such as gloves, apron and helmet when necessary.
- Always use eye and ear protection.
Other personal protective equipment such as dust mask, gloves, helmet and apron should be worn when necessary.
- If in doubt, wear the protective equipment.
- When the machine is not use, the power source should be disconnected.

ASSEMBLING AND DISASSEMBLING THE DEPRESSED CENTER WHEEL (Fig. 2)

CAUTION: Be sure to switch OFF and disconnect the attachment plug from the receptacle to avoid a serious accident.

1. Assembling (Fig. 2)

- Turn the disc grinder upsidedown so that the spindle is facing upward.
- Align the across flats of the wheel washer with the notched part of the spindle, then attach them.
- Fit the protuberance of the depressed center wheel onto the wheel washer.
- Screw the wheel nut onto the spindle.
- While pushing the push button with one hand, lock the spindle by turning the depressed center wheel slowly with the other hand.
Tighten the wheel nut by using the supplied wrench as shown in Fig. 2.

2. Disassembling

Follow the above procedures in reverse.

CAUTIONS

- Confirm that the depressed center wheel is mounted firmly.
- Confirm that the push button is disengaged by pushing push button two or three times before switching the power tool on.

MAINTENANCE AND INSPECTION

1. Inspecting the depressed center wheel

Ensure that the depressed center wheel is free of cracks and surface defects.

2. Inspecting the mounting screws:

Regularly inspect all mounting screws and ensure that they are properly tightened. Should any of the screws be loose, retighten them immediately. Failure to do so could result in serious hazard.

3. Inspecting the carbon brushes (Fig. 4)

The motor employs carbon brushes which are consumable parts. Since an excessively worn carbon brush can result in motor trouble, replace the carbon brush with a new one having the same carbon brush No. shown in the figure when it becomes worn to or near the "wear limit". In addition, always keep carbon brushes clean and ensure that they slide freely within the brush holders.

4. Replacing carbon brushes (Fig. 5)

<Disassembly>

- Loosen the D4 tapping screw retaining the tail cover and remove the tail cover.
- Use the auxiliary hexagonal wrench or small screwdriver to pull up the edge of the spring that is holding down the carbon brush. Remove the edge of the spring toward the outside of the brush holder.
- Remove the end of the pig-tail on the carbon brush from the terminal section of brush holder and then remove the carbon brush from the brush holder.

<Assembly>

- Insert the end of the pig-tail of the carbon brush in the terminal section of brush holder.
- Insert the carbon brush in the brush holder.
- Use the auxiliary hexagonal wrench or small screwdriver to return the edge of the spring to the head of the carbon brush.
- Mount the tail cover and tighten the D4 tapping screw.

5. Maintenance of the motor

The motor unit winding is the very "heart" of the power tool. Exercise due care to ensure the winding does not become damaged and/or wet with oil or water.

6. Service parts list

- A: Item No.
B: Code No.
C: No. Used
D: Remarks

CAUTION

Repair, modification and inspection of Hitachi Power Tools must be carried out by an Hitachi Authorized Service Center.

This Parts List will be helpful if presented with the tool to the Hitachi Authorized Service Center when requesting repair or other maintenance. In the operation and maintenance of power tools, the safety regulations and standards prescribed in each country must be observed.

MODIFICATIONS

Hitachi Power Tools are constantly being improved and modified to incorporate the latest technological advancements.

Accordingly, some parts (i.e. code numbers and/or design) may be changed without prior notice.

GUARANTEE

We guarantee Hitachi Power Tools in accordance with statutory/country specific regulation. This guarantee does not cover defects or damage due to misuse, abuse, or normal wear and tear. In case of complaint, please send the Power Tool, undismantled, with the GUARANTEE CERTIFICATE found at the end of this Handling instruction, to a Hitachi Authorized Service Center.

NOTE

Due to HITACHI's continuing program of research and development, the specifications herein are subject to change without prior notice.

IMPORTANT

Correct connection of the plug

The wires of the main lead are coloured in accordance with the following code:

Blue: -Neutral

Brown: -Live

As the colours of the wires in the main lead of this tool may not correspond with the coloured markings identifying the terminals in your plug proceed as follows: The wire coloured blue must be connected to the terminal marked with the letter N or coloured black. The wire coloured brown must be connected to the terminal marked with the letter L or coloured red. Neither core must be connected to the earth terminal.

NOTE

This requirement is provided according to BRITISH STANDARD 2769: 1984.

Therefore, the letter code and colour code may not be applicable to other markets except The United Kingdom.

Information concerning airborne noise and vibration

The measured values were determined according to EN60745 and declared in accordance with ISO 4871.

Measured A-weighted sound power level: 97 dB (A)

Measured A-weighted sound pressure level: 86 dB (A)

Uncertainty KpA: 3 dB (A).

Wear ear protection.

The typical weighted root mean square acceleration value: 4.0 m/s².

When using the Vibration-absorbing Side Handle, the hand/arm vibration of the power tool used is typically less than 2.5 m/s².

ALLGEMEINE SICHERHEITSHINWEISE FÜR ELEKTROGERÄTE

WARNUNG

Lesen Sie sämtliche Sicherheitshinweise und Anweisungen durch. Wenn die Warnungen und Anweisungen nicht befolgt werden, kann es zu Stromschlag, Brand und/oder ernsthaften Verletzungen kommen.

Bitte bewahren Sie alle Warnhinweise und Anweisungen zum späteren Nachschlagen auf.

Der Begriff „Elektrowerkzeug“ bezieht sich in den Warnhinweisen auf Elektrowerkzeuge mit Netz- (schnurgebunden) oder Akkubetrieb (schnurlos).

1) Sicherheit im Arbeitsbereich

- Sorgen Sie für einen sauberen und gut ausgeleuchteten Arbeitsbereich.**
Zugestellte oder dunkle Bereiche ziehen Unfälle förmlich an.
- Verwenden Sie Elektrowerkzeuge niemals an Orten, an denen Explosionsgefahr besteht – zum Beispiel in der Nähe von leicht entflammaren Flüssigkeiten, Gasen oder Stäuben.**
Bei der Arbeit mit Elektrowerkzeugen kann es zu Funkenbildung kommen, wodurch sich Stäube oder Dämpfe entzünden können.
- Sorgen Sie bei der Arbeit mit Elektrowerkzeugen dafür, dass sich keine Zuschauer (insbesondere Kinder) in der Nähe befinden.**
Wenn Sie abgelenkt werden, können Sie die Kontrolle über das Werkzeug verlieren.

2) Elektrische Sicherheit

- Elektrowerkzeuge müssen mit passender Stromversorgung betrieben werden.**
Nehmen Sie niemals irgendwelche Änderungen am Anschlussstecker vor.
Verwenden Sie bei Elektrowerkzeugen mit Schutzkontakt (geerdet) niemals Adapterstecker.
Stecker im Originalzustand und passende Steckdosen reduzieren das Stromschlagrisiko.
- Vermeiden Sie Körperkontakt mit geerdeten Gegenständen wie Rohrleitungen, Heizungen, Herden oder Kühlschränken.**
Bei Körperkontakt mit geerdeten Gegenständen besteht ein erhöhtes Stromschlagrisiko.
- Setzen Sie Elektrowerkzeuge niemals Regen oder sonstiger Feuchtigkeit aus.**
Wenn Flüssigkeiten in ein Elektrowerkzeug eindringen, erhöht sich das Stromschlagrisiko.
- Verwenden Sie die Anschlusschnur nicht missbräuchlich. Tragen Sie das Elektrowerkzeug niemals an der Anschlusschnur, ziehen Sie es nicht damit heran und ziehen Sie den Stecker nicht an der Anschlusschnur aus der Steckdose.**
Halten Sie die Anschlusschnur von Hitzequellen, Öl, scharfen Kanten und beweglichen Teilen fern.
Beschädigte oder verdrehte Anschlusschnüre erhöhen das Stromschlagrisiko.
- Wenn Sie ein Elektrowerkzeug im Freien benutzen, verwenden Sie ein für den Außeneinsatz geeignetes Verlängerungskabel.**
Ein für den Außeneinsatz geeignetes Kabel vermindert das Stromschlagrisiko.
- Falls sich der Betrieb des Elektrowerkzeuges in feuchter Umgebung nicht vermeiden lässt, verwenden Sie eine Stromversorgung mit Fehlerstromschutzeinrichtung (Residual Current Device, RCD).**
Durch den Einsatz einer Fehlerstromschutzeinrichtung wird das Risiko eines elektrischen Schlages reduziert.

3) Persönliche Sicherheit

- Blieben Sie wachsam, achten Sie auf das, was Sie tun, und setzen Sie Ihren Verstand ein, wenn Sie mit Elektrowerkzeugen arbeiten.**
Benutzen Sie keine Elektrowerkzeuge, wenn Sie müde sind oder unter Einfluss von Drogen, Alkohol oder Medikamenten stehen.
Bei der Arbeit mit Elektrowerkzeugen können bereits kurze Phasen der Unaufmerksamkeit zu schweren Verletzungen führen.
- Benutzen Sie eine persönliche Schutzausrüstung. Tragen Sie immer einen Augenschutz.**
Schutzausrüstung wie Staubmaske, rutschsichere Sicherheitsschuhe, Schutzhelm und Gehörschutz senken das Verletzungsrisiko bei angemessenem Einsatz.
- Vermeiden Sie unbeabsichtigten Anlauf. Achten Sie darauf, dass sich der Schalter in der Aus- (Off-) Position befindet, ehe Sie das Gerät mit der Stromversorgung und/oder Batteriestromversorgung verbinden, es aufheben oder herumtragen.**
Das Herumtragen von Elektrowerkzeugen mit dem Finger am Schalter oder das Herstellen der Stromversorgung bei betätigtem Schalter zieht Unfälle regelrecht an.
- Entfernen Sie sämtliche Einstellwerkzeuge (Einstellschlüssel), ehe Sie das Elektrowerkzeug einschalten.**
Ein an einem beweglichen Teil des Elektrowerkzeuges angebrachter Schlüssel kann zu Verletzungen führen.
- Sorgen Sie für einen festen Stand. Achten Sie jederzeit darauf, sicher zu stehen und das Gleichgewicht zu bewahren.**
Dadurch haben Sie das Elektrowerkzeug in unerwarteten Situationen besser im Griff.
- Kleiden Sie sich richtig. Tragen Sie keine lose Kleidung oder Schmuck. Halten Sie Haar, Kleidung und Handschuhe von beweglichen Teilen fern.**
Lose Kleidung, Schmuck oder langes Haar kann von beweglichen Teilen erfasst werden.
- Wenn Anschlüsse für Staubabsaug- und -sammelvorrichtungen vorhanden sind, sorgen Sie dafür, dass diese richtig angeschlossen und eingesetzt werden.**
Durch Entfernen des Staubes können staubbezogene Gefahren vermindert werden.

4) Einsatz und Pflege von Elektrowerkzeugen

- Überprüfen Sie das Elektrowerkzeug nicht. Benutzen Sie das richtige Elektrowerkzeug für Ihren Einsatzzweck.**
Das richtige Elektrowerkzeug erledigt seine Arbeit bei bestimmungsgemäßem Einsatz besser und sicherer.
- Benutzen Sie das Elektrowerkzeug nicht, wenn es sich nicht am Schalter ein- und ausschalten lässt.**
Jedes Elektrowerkzeug, das nicht mit dem Schalter betätigt werden kann, stellt eine Gefahr dar und muss repariert werden.
- Stecken Sie den Stecker der Stromversorgung oder Batteriestromversorgung vom Gerät ab, ehe Sie Einstellarbeiten vornehmen, Zubehörteile tauschen oder das Elektrowerkzeug verstauen.**
Solche präventiven Sicherheitsmaßnahmen verhindern den unbeabsichtigten Anlauf des Elektrowerkzeugs und die damit verbundenen Gefahren.
- Lagern Sie nicht benutzte Elektrowerkzeuge außerhalb der Reichweite von Kindern, lassen Sie nicht zu, dass Personen das Elektrowerkzeug bedienen, die nicht mit dem Werkzeug selbst und/oder diesen Anweisungen vertraut sind.**
Elektrowerkzeuge in ungeschulten Händen sind gefährlich.
- Halten Sie Elektrowerkzeuge in Stand. Prüfen Sie auf Fehlausrichtungen, sicheren Halt und Leichtgängigkeit beweglicher Teile, Beschädigungen von Teilen und auf jegliche andere Zustände, die sich auf den Betrieb des Elektrowerkzeugs auswirken können.**

Bei Beschädigungen lassen Sie das Elektrowerkzeug reparieren, ehe Sie es benutzen.

Viele Unfälle mit Elektrowerkzeugen sind auf schlechte Wartung zurückzuführen.

- f) Halten Sie Schneidwerkzeuge scharf und sauber. Richtig gewartete Schneidwerkzeuge mit scharfen Schneidkanten bleiben weniger häufig hängen und sind einfacher zu beherrschen.
- g) Benutzen Sie Elektrowerkzeuge, Zubehör, Werkzeugspitzen und Ähnliches in Übereinstimmung mit diesen Anweisungen – beachten Sie dabei die jeweiligen Arbeitsbedingungen und die Art und Weise der auszuführenden Arbeiten.
Der Gebrauch des Elektrowerkzeuges für andere als die vorgesehenen Anwendungen kann zu gefährlichen Situationen führen.

5) Service

- a) Lassen Sie Elektrowerkzeuge durch qualifizierte Fachkräfte und unter Einsatz passender, zugelassener Originalteile warten.
Dies sorgt dafür, dass die Sicherheit des Elektrowerkzeuges nicht beeinträchtigt wird.

VORSICHT

Von Kindern und gebrechlichen Personen fernhalten. Werkzeuge sollten bei Nichtgebrauch außerhalb der Reichweite von Kindern und gebrechlichen Personen aufbewahrt werden.

FÜR SCHLEIF- UND TRENNSCHLEIFARBEITEN GELTENDE SICHERHEITSHINWEISE

- a) Dieses Elektrowerkzeug kann als Schleif- oder Trennschleifwerkzeug eingesetzt werden. Bitte beachten Sie sämtliche mit diesem Gerät gelieferten Sicherheitshinweise, Anweisungen, Illustrationen und technischen Angaben.

Wenn nicht sämtliche nachstehenden Anweisungen befolgt werden, kann es zu Stromschlag, Feuergefahr und/oder ernsthaften Verletzungen kommen.

- b) Es wird nicht empfohlen, Arbeiten wie Sandpapierschleifen, Drahtbürsten oder Polieren mit diesem Elektrowerkzeug auszuführen.

Arbeiten, für die dieses Elektrowerkzeug nicht konzipiert wurde, könnten eine Gefahr darstellen, die zu Verletzungen oder Geräteschäden führen könnten.

- c) Verwenden Sie keine Zubehörteile, die nicht speziell vom Hersteller für die Verwendung mit dem Werkzeug konzipiert und empfohlen wurden.

Der Umstand, dass ein Zubehörteil an dem Elektrowerkzeug angebracht werden kann, bedeutet nicht, dass damit ein sicherer Betrieb garantiert ist.

- d) Die Nenndrehzahl des Schleifkörpers muss mindestens der maximalen auf dem Elektrowerkzeug angegebenen Drehzahl entsprechen.

Schleifkörper, die mit einer höheren Geschwindigkeit als ihrer Nenndrehzahl betrieben werden, können zerbersten und in Folge können Bruchstücke davon weggeschleudert werden.

- e) Außendurchmesser und Dicke des Schleifkörpers müssen den Maßangaben Ihres Elektrowerkzeugs entsprechen.

Falsch bemessene Schleifkörper können nicht ausreichend abgesichert oder bei Arbeit nicht ausreichend kontrolliert werden.

- f) Schleifscheiben, Flansche, Schleifteller oder anderes Zubehör müssen genau auf die Schleifspindel Ihres Elektrowerkzeugs passen.

Einsatzwerkzeuge, die nicht genau auf die Schleifspindel des Elektrowerkzeugs passen, laufen mit Unwucht, vibrieren sehr stark und können zu einem Verlust der Kontrolle über das Werkzeug führen.

- g) Benutzen Sie niemals beschädigte Schleifkörper. Überprüfen Sie vor jedem Gebrauch Einsatzwerkzeuge wie Schleifkörper auf Abspalterungen und Risse, Schleifteller auf Sprünge, Risse oder starke Abnutzung, Drahtbürsten auf lose oder gebrochene Drähte. Wenn das Elektrowerkzeug oder der Schleifkörper herunter fällt, überprüfen Sie es/ihn auf Beschädigung oder montieren Sie einen unbeschädigten Schleifkörper. Lassen Sie nach Prüfung und Montage des Schleifkörpers das Elektrowerkzeug eine Minute lang mit maximaler Leerlaufdrehzahl laufen. Achten Sie dabei darauf, dass Sie und alle anderen in der Nähe befindlichen Personen sich außerhalb der Rotationsebene des Schleifkörpers aufhalten.

Normalerweise zerbersten schadhafte Schleifwerkzeuge bei einem solchen Probelauf.

- h) Tragen Sie eine Schutzausrüstung. Benutzen Sie je nach Anwendung Gesichtsschutz oder Schutzbrille. Soweit angemessen, tragen Sie eine Staubmaske, einen Gehörschutz, Handschuhe sowie eine Arbeitsschürze, die geeignet sind, Sie vor Schleifkörper- und Werkstückteilen zu schützen. *Die Schutzbrille muss sich eignen, die bei unterschiedlichen Arbeiten weggeschleuderten Partikel abzuwehren. Die Staub- oder die Atemschutzmaske muss in der Lage sein, die bei der Arbeit entstehenden Partikel zu filtern. Eine dauerhaft hohe Lärmbelastung kann zu Hörverlust führen.*

- i) Halten Sie umstehende Personen von Ihrem Arbeitsbereich fern. Jeder, der den Arbeitsbereich betritt, muss eine Schutzausrüstung tragen.

Werkstückteilchen oder Stücke geborstener Schleifkörper können weggeschleudert werden und auch außerhalb des unmittelbaren Arbeitsbereiches Verletzungen verursachen.

- j) Falls der Schleifkörper bei der Arbeit mit versteckt liegenden Leitungen oder mit der Anschlussleitung des Elektrowerkzeugs selbst in Berührung kommen kann, halten Sie das Elektrowerkzeug nur an seinen isolierten Griffflächen.

Schleifkörper, die in Kontakt mit einer spannungsführenden Leitung kommen, können die Metallteile des Elektrowerkzeugs spannungsführend machen und dem Bediener einen elektrischen Schlag versetzen.

- k) Halten Sie die Anschlussleitung des Elektrowerkzeugs stets vom drehenden Schleifkörper fern.

Falls Sie die Kontrolle über das Elektrowerkzeug verlieren, kann die Anschlussleitung durchtrennt oder erfasst werden, und Ihre Hand oder Ihr Arm in das sich drehende Einsatzwerkzeug geraten.

- l) Legen Sie das Elektrowerkzeug niemals ab, bevor der Schleifkörper vollständig zum Stillstand gekommen ist.

Der sich drehende Schleifkörper kann in Berührung mit der Ablagefläche geraten, wodurch Sie die Kontrolle über das Elektrowerkzeug verlieren können.

- m) Lassen Sie das Elektrowerkzeug nicht laufen, während Sie es tragen.**

Der sich drehende Schleifkörper kann bei versehentlicher Berührung Ihre Kleidung erfassen und in Ihren Körper gezogen werden.

- n) Reinigen Sie regelmäßig die Lüftungsöffnungen des Elektrowerkzeugs.**

Das Motorgebläse zieht Staub in das Gehäuse. Übermäßige Ansammlungen von Metallstaub könnten zu elektrischen Gefährdungen führen.

- o) Verwenden Sie das Elektrowerkzeug nicht in der Nähe entflammbarer Materialien.**

Funken könnten diese Materialien entzünden.

- p) Verwenden Sie keine Zubehörteile, die flüssige Kühlmittel erfordern.**

Die Verwendung von Wasser oder anderen flüssigen Kühlmitteln kann zu einem elektrischen Schlag oder Schock führen.

RÜCKSCHLAG UND DAZU GEHÖRIGE SICHERHEITSHINWEISE

Rückschlag ist die plötzliche Reaktion infolge eines Verklemmens oder Verhakens eines drehenden Schleifkörpers, eines Schleiftellers oder einer Drahtbürste etc. Dieses Verklemmen oder Verhaken führt zu einem plötzlichen Stopp des rotierenden Schleifkörpers, wodurch ein unkontrolliertes Elektrowerkzeug an der Blockierstelle ruckartig gegen die Drehrichtung des Schleifkörpers bewegt wird.

Wenn beispielsweise eine Schleifscheibe im Werkstück verklemmt oder verhakt wird, kann sich die Kante der in die Blockierstelle eindringenden Schleifscheibe in die Oberfläche des Werkstücks graben, wodurch die Schleifscheibe ausbrechen oder einen Rückschlag verursachen kann. Je nach Drehrichtung der Scheibe an der Blockierstelle kann sich die Schleifscheibe dabei auf die Bedienperson zu oder von ihr weg bewegen. Schleifscheiben können unter diesen Umständen auch brechen.

Zum Rückschlag kommt es in Folge einer falschen und/oder nicht ordnungsgemäßen Verwendung des Elektrowerkzeugs. Dies kann durch geeignete Vorsichtsmaßnahmen vermieden werden, die im Folgenden beschrieben werden.

- a) Halten Sie das Elektrowerkzeug stets gut fest und bringen Sie Ihren Körper und Ihren Arm in eine Position, in der Sie mögliche Rückschlagkräfte abfangen können. Verwenden Sie immer den Zusatzgriff, falls vorhanden, um beim Hochlauf die größtmögliche Kontrolle über Rückschlagkräfte oder Reaktionsmomente zu haben.**

Der Bediener kann Rückschlagkräfte oder Reaktionsmomente durch geeignete Vorsichtsmaßnahmen beherrschen.

- b) Bringen Sie Ihre Hand nie in die Nähe rotierenden Einsatzwerkzeuge.**

Das Einsatzwerkzeug könnte sich beim Rückschlag über Ihre Hand bewegen.

- c) Meiden Sie den Bereich, in den sich das Elektrowerkzeug bei einem Rückschlag bewegen würde.**

Durch den Rückschlag wird das Elektrowerkzeug ruckartig entgegen der Drehrichtung der Schleifscheibe an der Blockierstelle bewegt.

- d) Arbeiten Sie besonders vorsichtig im Bereich von Ecken und scharfen Kanten etc. Verhindern Sie, dass Einsatzwerkzeuge vom Werkstück zurückprallen und verklemmen.**

An Ecken und scharfen Kanten oder beim Abprallen neigen rotierende Einsatzwerkzeuge dazu, sich zu verklemmen, was in weiterer Folge zum Verlust der Kontrolle des Werkzeugs oder zum Rückschlag führt.

- e) Verwenden Sie kein Ketten- oder gezähntes Sägeblatt.**

Solche Einsatzwerkzeuge führen häufig zu Rückschlag oder zum Verlust der Kontrolle über das Elektrowerkzeug.

BESONDERE SICHERHEITSHINWEISE FÜR SCHLEIF- BZW. TRENNSCHLEIFARBEITEN

- a) Verwenden Sie lediglich die für Ihr Elektrowerkzeug zugelassenen Schleifkörper und die für diese Schleifkörper vorgesehene Schutzhaube.**

Schleifkörper, die nicht für das Elektrowerkzeug vorgesehen sind, können nicht ausreichend abgeschirmt werden und ihre Verwendung ist daher nicht sicher.

- b) Die Schutzhaube muss sicher am Elektrowerkzeug befestigt und so positioniert sein, dass der kleinstmögliche Teil des Schleifkörpers offen zur Bedienperson zeigt und somit ein Höchstmaß an Sicherheit garantiert wird.**

Die Schutzhaube soll die Bedienperson vor Bruchstücken defekter Schleifkörper und versehentlichem Kontakt mit dem Schleifkörper schützen.

- c) Schleifkörper dürfen nur für die jeweils vorgesehenen Einsatzmöglichkeiten verwendet werden. Schleifen Sie beispielsweise nie mit der Seitenfläche einer Trennscheibe.**

Trennscheiben sind zum Abtragen von Material durch die Scheibenkante bestimmt und können bei seitlicher Krafteinwirkung auf den Schleifkörper zerbrechen.

- d) Verwenden Sie immer unbeschädigte Flansche in der für die gewählte Schleifscheibe passenden Größe und Form.**

Passende Flansche stützen die Schleifscheibe und verringern so die Gefahr eines Zerbrechens der Schleifscheibe. Flansche für Trennscheiben können sich von Flanschen für andere Schleifscheiben unterscheiden.

- e) Verwenden Sie niemals durch größere Elektrowerkzeuge abgenutzte Schleifscheiben.**

Für größere Elektrowerkzeuge konzipierte Schleifscheiben sind nicht für die höheren Drehzahlen kleinerer Elektrowerkzeuge ausgelegt und können brechen.

WEITERE SICHERHEITSHINWEISE ZU TRENNSCHLEIFARBEITEN

- a) Vermeiden Sie ein Blockieren der Trennscheibe oder das Ausüben übertriebenen Drucks auf die Trennscheibe. Versuchen Sie nicht, übermäßig tiefe Schnitte auszuführen.**

Durch das Überlasten der Trennscheibe erhöht sich deren Beanspruchung und die Anfälligkeit zum Verkanten oder Blockieren und damit die Möglichkeit eines Rückschlags oder Zerbrechens des Schleifkörpers.

b) Meiden Sie den Bereich vor und hinter der rotierenden Trennscheibe.

Bewegt sich die Trennscheibe im Werkstück von Ihnen weg, so kann im Falle eines Rückschlags das Elektrowerkzeug mit der sich drehenden Scheibe direkt auf Sie zugeschleudert werden.

c) Falls die Trennscheibe verklemmt oder Sie die Arbeit aus irgendeinem Grund unterbrechen müssen, schalten Sie das Elektrowerkzeug aus und halten Sie es an derselben Stelle, bis die Scheibe völlig zum Stillstand gekommen ist. Versuchen Sie niemals, eine noch laufende Trennscheibe aus dem Schnitt zu ziehen, sonst kann dies zu einem Rückschlag führen.

Ermitteln und beheben Sie die Ursache für das Verklemmen der Scheibe.

d) Schalten Sie das Elektrowerkzeug nicht wieder ein, solange es sich noch im Werkstück befindet. Warten Sie nach dem Einschalten bis die Trennscheibe ihre volle Geschwindigkeit erreicht hat, bevor Sie das Werkzeug vorsichtig wieder in den Schnitt einsetzen.

Ansonsten kann die Scheibe blockieren, aus dem Werkstück springen oder einen Rückschlag verursachen.

e) Stützen Sie Platten oder übergroße Werkstücke ab, um das Risiko eines Verklemmens oder Rückschlags der Trennscheibe zu minimieren.

Große Werkstücke tendieren dazu, unter ihrem Eigengewicht durchzusacken. Die Stützen müssen unter dem Werkstück in der Nähe der Schnittlinie und nahe der Kante des Werkstücks zu beiden Seiten der Scheibe angebracht werden.

f) Seien Sie bei der Ausführung eines „Blindschnitts“ in Mauern oder anderen Blindbereichen besonders vorsichtig.

Die vorstehende Scheibe kann Gas- oder Wasserleitungsrohre, Stromkabel, oder Gegenstände durchschneiden, die einen Rückschlag verursachen können.

- Achten Sie darauf, dass das Schleifmittel vor dem Einsatz richtig montiert und angezogen wird, lassen Sie das Werkzeug 30 Sekunden lang unbelastet in einer sicheren Position laufen, stoppen Sie das Gerät sofort, falls Sie deutliche Vibrationen oder andere Defekte bemerken sollten. Falls dies eintritt, überprüfen Sie das Gerät und versuchen Sie, die Ursache herauszufinden;
- Falls das Werkzeug mit einer Schutzeinrichtung ausgerüstet ist, benutzen Sie das Werkzeug niemals ohne diese Schutzeinrichtung;
- Verwenden Sie keine separaten Reduzierhülsen oder Adapter, um Schleifscheiben mit großem Lochdurchmesser zu montieren;
- Bei Werkzeugen, die zum Einsatz mit Gewinde-Schleifscheiben vorgesehen sind, vergewissern Sie sich, dass das Gewinde in der Scheibe lang genug ist, um die Welle in ganzer Länge aufzunehmen;
- Vergewissern Sie sich, dass das Werkstück richtig gestützt wird;
- Verwenden Sie keine Trennscheiben für seitliche Schleifarbeiten;
- Achten Sie darauf, dass bei der Arbeit entstehende Funken keine Unfälle verursachen – keine Personen treffen oder entflammare Materialien entzünden;
- Sorgen Sie dafür, dass Belüftungsöffnungen jederzeit frei bleiben, wenn Sie unter staubigen Bedingungen arbeiten. Falls Staub beseitigt werden muss, ziehen Sie zuerst den Netzstecker (verwenden Sie dafür keine Metallgegenstände) und vermeiden Sie Beschädigungen von innen liegenden Teilen;
- Tragen Sie grundsätzlich eine Schutzbrille und einen Gehörschutz. Darüber hinaus sollten Sie in eine persönliche Schutzausrüstung wie Staubmaske, Handschuhe, Helm und Schürze tragen;
- Geben Sie gut auf die Scheibe acht; nach dem Ausschalten des Werkzeuges dreht sich diese noch eine Zeit lang weiter.

ALLGEMEINE SICHERHEITSHINWEISE FÜR SCHLEIFGERÄTE

- Vergewissern Sie sich, dass die auf der Scheibe angegebene Geschwindigkeit mit der Sollgeschwindigkeit des Schleifers übereinstimmt oder diese übertrifft;
- Achten Sie darauf, dass die Abmessungen der Scheibe mit dem Schleifer kompatibel sind;
- Schleifscheiben müssen sorgfältig und in Übereinstimmung mit den Anweisungen des Herstellers gelagert und verwendet werden;
- Überprüfen Sie die Schleifscheibe vor dem Einsatz, verwenden Sie keine angeschlagenen, gebrochenen oder sonstwie defekte Produkte;
- Achten Sie darauf, dass Scheiben und Gegenstücke gemäß den Anweisungen des Herstellers angebracht werden;
- Denken Sie daran, mit dem Verbundprodukt gelieferte Papierflansche zu verwenden, wenn diese benötigt werden;

TECHNISCHE DATEN

Modell		G12SA3	G13SB3
Spannung (je nach Gebiet)*		(110V, 230V, 240V) ~	
Leistungsaufnahme*		1300 W	
Leerlaufdrehzahl*		11000 min ⁻¹	
Schleifscheibe	Außendurchmesser × Innendurchmesser	115 × 22 mm	125 × 22 mm
	Umfangsgeschwindigkeit	80 m/s	
Gewicht (Gerät selbst)		1,9 kg	

* Vergessen Sie nicht, die Produktangaben auf dem Typenschild zu überprüfen, da sich diese je nach Verkaufsgebiet ändern.

STANDARDZUBEHÖR

- (1) Schleifscheibe 1
 - (2) Schlüssel 1
 - (3) Handgriff 1
- Das Standardzubehör kann ohne vorherige Bekanntmachung jederzeit geändert werden.

ANWENDUNGSGEBIETE

- Entfernung von Gußgrat und Endbearbeitung verschiedener Stahlqualitäten, Bronze- und Aluminiummaterialien und Gußteile.
- Schleifen von geschweißten Stücken oder von durch Brennschneiden hergestellten Abschnitten.
- Schleifen von Kunstharz, Schiefer, Ziegelstein, Marmor, usw.
- Beim Schneiden von synthetischem Zement, Steinen, Mauersteinen, Marmor und ähnlichen Materialien.

VOR INBETRIEBNAHME

- 1. Netzspannung**
Prüfen, daß die zu verwendende Netzspannung der Angabe auf dem Typenschild entspricht.
- 2. Netzschalter**
Prüfen, daß der Netzschalter auf "AUS" steht. Wenn der Stecker an das Netz angeschlossen wird, während der Schalter auf "EIN" steht, beginnt das Werkzeug sofort zu laufen, was gefährlich ist.
- 3. Verlängerungskabel**
Wenn der Arbeitsbereich nicht in der Nähe des Netzanschlusses liegt, ist ein Verlängerungskabel ausreichenden Querschnitts und ausreichender Nennleistung zu verwenden. Das Verlängerungskabel sollte so kurz wie möglich gehalten werden.
- 4. Anbringen und Einstellen der Schutzhaube**
Die Schutzhaube ist eine Schutzvorrichtung, durch die Schaden verhindert werden soll, wenn die Schleifscheibe während des Betriebs zerbrechen sollte. Es ist darauf zu achten, daß die Haube ordnungsgemäß angebracht und befestigt ist, ehe mit der Schleifarbeit begonnen wird. Durch geringfügiges Lockern der Arretierschraube kann die Schutzhaube gedreht und in jedem gewünschten Winkel zur Erzielung maximaler Leistung eingestellt werden. Es ist sicherzustellen, daß die Arretierschraube nach dem Einstellen der Schutzhaube ordnungsgemäß angezogen wird.

[Bei werkzeugloser Schutzhaube](Abb.3)

- Die Scheibenbaugruppe an die Stopfbüchse ansetzen.
 - Die M5-Schraube festziehen, um die Schutzhaube zu sichern, während der Hebel in Geschlossen-Stellung ist.
 - Die Einstellung der Schutzhaube ausführen, während der Hebel in Freigabe-Stellung ist. (Die M5-Schraube lösen und neu einstellen, falls die Schutzhaube nicht glatt rotiert.)
 - Falls nach der Einstellung gearbeitet werden muß, immer erst mit der Maschine arbeiten, nachdem der Hebel in Geschlossen-Stellung gestellt worden ist.
 - Die Gleitsektion des Stellstücks (B) und den Hebel schmieren, falls sich der Hebel nicht glatt bewegen läßt.
- 5. Stellen Sie sicher, daß die angebrachte Schleifscheibe und die anderen Teile entsprechend den Anweisungen des Herstellers angebracht sind. Es ist weiter darauf zu achten, daß die zu verwendende Schleifscheibe die richtige Ausführung und ohne Risse und Oberflächenfehler ist. Es ist auch darauf zu achten, daß die Schleifscheibe richtig montiert und die Mutter der Schleifscheibe fest angezogen ist. Siehe Abschnitt "ANBRINGEN UND ABNEHMEN DER SCHLEIFSCHLEIBE". Stellen Sie sicher, daß Beilegscheiben verwendet werden, wenn diese mit Schleifscheiben aus gebundenem Schleifmittel mitgeliefert werden und erforderlich sind. Verwenden Sie keine separaten Reduzierbüchsen oder Adapter zum Anpassen von Schleifscheiben mit einem großen Loch. Stellen Sie für Werkzeuge für Verwendung mit einer Schleifscheibe mit Gewindeloch sicher, daß das Gewinde in der Schleifscheibe lang genug ist, um die Spindellänge aufzunehmen. Verwenden Sie eine Trennscheibe nicht zum Seitenschleifen.**
 - 6. Durchführung eines Probelaufs**
Stellen Sie vor der Verwendung sicher, daß das Schleiferzeugnis korrekt angebracht und fest angezogen ist, und lassen Sie das Werkzeug ohne Last 30 Sekunden an einer sicheren Position laufen. Halten Sie das Werkzeug sofort an, wenn beträchtliche Vibrationen auftreten oder Defekte festgestellt werden. Wenn ein solcher Zustand eintritt, so überprüfen Sie die Maschine, um die Ursache zu finden.

7. Überprüfen der Druckknopf:

Es ist zu überprüfen, ob die Druckknopf freigegeben ist, indem zwei- oder dreimal vor Einschalten des Gerätes auf die Druckknopf gedrückt wird (siehe **Abb. 2**).

8. Anbringen des Handgriffs

Den Handgriff in den Getriebedeckel einschrauben.

PRAKTISCHE SCHLEIFARBEIT

1. Druck

Zur Verlängerung der Lebensdauer Maschine und für erstklassige Arbeit ist es wichtig, daß die Maschine nicht durch zu starken Druck überbelastet wird. Bei den meisten Anwendungen reicht das Gewicht der Maschine für effektives Schleifen aus. Zu starker Druck führt zu verminderter Drehzahl, unbefriedigendem Oberflächenaussehen und einer Überbelastung, die die Lebensdauer der Maschine vermindern könnte.

2. Schleifwinkel

Nicht die gesamte Fläche der Schleifscheibe auf das zu schleifende Material auflegen. Die Maschine sollte, wie in **Abb. 1** dargestellt ist, in einem Winkel von 15° – 30° gehalten werden, so daß die Außenkante der Schleifscheibe das Werkstück in einem optimalen Winkel berührt.

3. Damit sich eine neue Schleifscheibe nicht in das Werkstück hineingräbt, sollte zu Anfang die Schleifarbeit so durchgeführt werden, daß der Winkelschleifer über das Werkstück zum Bedienungsmann gezogen wird (**Abb. 1 Richtung B**). Wenn die Vorderkante der Schleifscheibe entsprechend abgeschliffen ist, kann das Schleifen in beiden Richtungen durchgeführt werden.

4. Vorsichtsmaßnahmen unmittelbar nach Beendigung der Arbeit

Die Schleifscheibe dreht sich auch nach dem Ausschalten des Werkzeugs noch weiter. Nach dem Ausschalten darf die Maschine erst abgelegt werden, wenn die Schleifscheibe völlig zum Stillstand gekommen ist. Abgesehen vom Vermeiden ernsthafter Unfälle wird durch diese Vorsichtsmaßnahmen vermieden, daß Staub und Späne in die Maschine gesaugt werden.

ACHTUNG

- Überprüfen Sie, daß das Werkstück richtig unterstützt ist.
- Überprüfen Sie bei Arbeit an einem staubigen Ort, daß die Ventilationsöffnungen freigehalten werden. Wenn Beseitigung von Staub erforderlich werden sollte, so ziehen Sie zuerst den Stecker des Netzkabels aus der Steckdose (verwenden Sie nichtmetallische Gegenstände) und vermeiden Sie Beschädigung innerer Teile.
- Stellen Sie sicher, daß bei der Verwendung auftretende Funken keine Gefährdung darstellen, d.h. daß sie keine Personen treffen und keine entflammaren Substanzen entzünden.
- Tragen Sie immer eine Schutzbrille und Gehörschutz, und verwenden Sie sonstige persönliche Schutzausrüstung wie Handschuhe, eine Schürze und einen Helm, wenn erforderlich.

- Verwenden Sie immer Augen- und Ohrenschutz. Sonstige persönliche Schutzausrüstung wie eine Staubmaske, Handschuhe, ein Helm und eine Schürze sollte getragen werden, wenn sie erforderlich ist. Tragen Sie im Zweifelsfall Schutzausrüstung.
- Wenn die Maschine nicht benutzt wird, sollte der Netzstecker gezogen werden.

ANBRINGEN UND ABNEHMEN DER SCHLEIFSCHLEIBE (Abb. 2)

VORSICHT: Immer den Betriebsschalter auf "Aus" stellen und den Netzstecker aus der Steckdose ziehen, um Unfälle zu vermeiden.

1. Anbringen (Abb. 2)

- (1) Legen Sie den Winkelschleifer mit der Oberseite nach unten hin, so dass die Spindel nach oben zeigt.
- (2) Die Beilegscheibe mit den Flachseiten auf die Einkerbungen der Spindel ausgerichtet anbringen.
- (3) Den Vorsprung der Schleifscheibe in die Beilegscheibe einpassen.
- (4) Die Schleifscheibenmutter auf die Spindel schrauben.
- (5) Den Druckknopf mit einer Hand drücken und die Spindel durch langsames Drehen der Schleifscheibe mit der anderen Hand verriegeln. Die Schleifscheibenmutter mit dem mitgelieferten Schlüssel wie in **Abb. 2** gezeigt anziehen.

2. Abnehmen

Beim Abnehmen wird in umgekehrter Reihenfolge vorgegangen.

VORSICHT

- Prüfen, ob die Schleifscheibe fest angezogen ist.
- Es ist zu überprüfen, ob die Druckknopf freigegeben ist, indem zwei- oder dreimal vor Einschalten des Gerätes auf die Druckknopf gedrückt wird.

WARTUNG UND INSPEKTION

1. Überprüfung der Schleifscheibe

Es ist darauf zu achten, daß die Schleifscheibe ohne Risse und Fehler an der Oberfläche ist.

2. Inspektion der Befestigungsschrauben:

Alle Befestigungsschrauben werden regelmäßig inspiziert und geprüft, ob sie gut angezogen sind. Wenn sich eine der Schrauben lockert, muß sie sofort wieder angezogen werden. Geschieht das nicht, kann das zu erheblichen Gefahren führen.

3. Inspektion der Kohlebürsten (Abb. 4)

Im Motor sind Kohlebürsten verwendet, die Verbrauchsteile sind. Übermäßig abgenutzte Kohlebürsten führen zu Motor, problemen. Deshalb wird eine Kohlebürste durch eine neue ersetzt, die dieselbe Nummer trägt wie auf der Abbildung gezeigt, wenn sie teilweise oder ganz verbraucht ist. Darüber hinaus müssen die Kohlebürsten immer sauber gehalten werden und müssen sich in der Halterung frei bewegen können.

4. Austausch einer Kohlebürste (Abb. 5)

<Zerlegen>

- (1) Die D4-Schneidschraube an der hinteren Abdeckung heraus-schrauben und die hintere Abdeckung entfernen.

- (2) Mit dem mitgelieferten Sechskantschlüssel oder einem Schraubenzieher die Kante der Feder hochziehen, die die Kohlenbürste nach unten drückt. Die Kante der Feder zur Außenseite des Kohlebürstenhalters hin herausziehen.
- (3) Die Kante der Anschlußlitze an der Kohlebürste von dem Anschlußteil des Bürstenhalters entfernen und die Kohlebürste aus dem Bürstenhalter nehmen.

<Baugruppe>

- (1) Das Ende der Kohlenbürsten-Anschlußlitze in den Anschlußteil des Bürstenhalters einstecken
- (2) Die Kohlebürste in den Bürstenhalter einsetzen.
- (3) Die Kante der Feder mit dem mitgelieferten Sechskantschlüssel oder einem Schraubenzieher wieder zurück zum Kohlebürstenkopf drücken.
- (4) Die hintere Abdeckung wieder ansetzen und mit den D4-Schneidschrauben anmontieren.

5. Wartung des Motors

Die Motorwicklung ist das "Herz" des Elektrowerkzeugs. Daher ist besonders sorgfältig darauf zu achten, daß die Wicklung nicht beschädigt wird und/oder mit Öl oder Wasser in Berührung kommt.

6. Liste der Wartungsteile

- A: Punkt Nr.
 B: Code Nr.
 C: Verwendete Anzahl
 D: Bemerkungen

ACHTUNG

Reparatur, Modifikation und Inspektion von Hitachi-Elektrowerkzeugen müssen durch ein autorisiertes Hitachi-Kundendienstzentrum durchgeführt werden. Diese Teileliste ist hilfreich, wenn sie dem autorisierten Hitachi-Kundendienstzentrum zusammen mit dem Werkzeug für Reparatur oder Wartung ausgehändigt wird.

Bei Betrieb und Wartung von Elektrowerkzeugen müssen die Sicherheitsvorschriften und Normen beachtet werden.

MODIFIKATIONEN

Hitachi-Elektrowerkzeuge werden fortwährend verbessert und modifiziert, um die neuesten technischen Fortschritte einzubauen. Dementsprechend ist es möglich, daß einige Teile (z.B. Codenummern bzw. Entwurf) ohne vorherige Benachrichtigung geändert werden.

GARANTIE

Auf Hitachi-Elektrowerkzeuge gewähren wir eine Garantie unter Zugrundelegung der jeweils geltenden gesetzlichen und landesspezifischen Bedingungen. Dieses Garantie erstreckt sich nicht auf Gehäusedefekte und nicht auf Schäden, die auf Missbrauch, bestimmungswidrigen Einsatz oder normalen Verschleiß zurückzuführen sind. Im Schadensfall senden Sie das nicht zerlegte Elektrowerkzeug zusammen mit dem GARANTIESCHEIN, den Sie am Ende der Bedienungsanleitung finden, an ein von Hitachi autorisiertes Servicecenter.

ANMERKUNG

Aufgrund des ständigen Forschungs- und Entwicklungsprogramms von HITACHI sind Änderungen der hierin gemachten technischen Angaben nicht ausgeschlossen.

Information über Betriebslärm und Vibration

Die gemessenen Werte wurden entsprechend EN60745 bestimmt und in Übereinstimmung mit ISO 4871 ausgewiesen.

Gemessener A-gewichteter Schallpegel: 97 dB (A)

Gemessener A-gewichteter Schalldruck: 86 dB (A)

Messunsicherheit KpA: 3 dB (A)

Bei der Arbeit immer einen Ohrenschutz tragen.

Der typische gewogene quadratische Mittelwert für die Beschleunigung ist 4,0 m/s².

Bei der Verwendung des vibrationsdämpfenden Seitengriffes ist die Hand/Arm-Vibration des benutzten Elektrowerkzeuges typischerweise niedriger als 2,5 m/s².

AVERTISSEMENTS DE SÉCURITÉ GÉNÉRAUX CONCERNANT LES OUTILS ÉLECTRIQUES

AVERTISSEMENT

Lire tous les avertissements de sécurité et toutes les instructions.

Tout manquement à observer ces avertissements et instructions peut engendrer des chocs électriques, des incendies et/ou des blessures graves.

Conservez tous les avertissements et toutes les instructions pour vous y référer ultérieurement.

Le terme "outil électrique", utilisé dans les avertissements, se réfère aux outils électriques (câblé) ou aux outils à piles (sans fil).

1) Sécurité sur l'aire de travail

- Maintenir l'aire de travail propre et bien éclairée.**
Les endroits encombrés ou sombres sont propices aux accidents.
- Ne pas utiliser d'outils électriques en présence de liquides, gaz ou poussière inflammables, au risque de provoquer une explosion.**
Les outils électriques créent des étincelles susceptibles d'enflammer la poussière ou les vapeurs.
- Ne pas laisser les enfants et les visiteurs s'approcher de vous lorsque vous utilisez un outil électrique.**
Les distractions peuvent faire perdre le contrôle.

2) Sécurité électrique

- Les prises de l'outil électrique doivent correspondre à la prise secteur.**
Ne jamais modifier la prise.
Ne pas utiliser d'adaptateurs avec les outils électriques mis à la masse.
Les prises non modifiées et les prises secteurs correspondantes réduisent les risques de choc électrique.
- Éviter tout contact avec les surfaces mises à la masse telles que les tuyaux, radiateurs, bandes et réfrigérateurs.**
Le risque de choc électrique est accru en cas de mise à la masse du corps.
- Ne pas exposer les outils électriques à la pluie ou à des conditions humides.**
Si l'eau pénètre dans l'outil, cela augmente les risques de choc électrique.
- Ne pas utiliser le cordon à tort. Ne jamais utiliser le cordon pour transporter ou débrancher l'outil électrique.**
Maintenir le cordon loin de la chaleur, de l'huile, des bords pointus ou des pièces mobiles.
Les cordons endommagés ou usés augmentent les risques de choc électrique.
- En cas d'utilisation d'un outil électrique à l'extérieur, utiliser un cordon de rallonge adapté à un usage extérieur.**
L'utilisation d'un cordon adapté à l'usage extérieur réduit les risques de choc électrique.
- Si vous devez utiliser un outil électrique dans un endroit humide, utilisez une alimentation protégée contre les courants résiduels.**
L'utilisation d'un dispositif de protection contre les courants résiduels réduit le risque de choc électrique.

3) Sécurité personnelle

- Restez alerte, regarder ce que vous faites et usez de votre bon sens en utilisant un outil électrique.**
Ne pas utiliser d'outil électrique si vous êtes sous l'influence de drogues, d'alcool ou de médicaments.

Pendant l'utilisation d'outils électrique, un instant d'inattention peut entraîner des blessures graves.

- Utiliser un équipement de protection individuelle.**
Toujours porter des verres de protection.
L'utilisation d'équipements de protection tels que les masques anti-poussière, les chaussures de sécurité anti-dérapantes, les casques ou les protections auditives dans des conditions appropriées réduisent les risques de blessures.
 - Empêcher les démarrages intempestifs. Veiller à ce que l'interrupteur soit en position d'arrêt avant de brancher à une source d'alimentation et/ou une batterie, de ramasser l'outil au sol ou de le transporter.**
Transporter les outils électriques avec le doigt sur l'interrupteur ou brancher les outils électriques avec l'interrupteur en position de marche peut entraîner des accidents.
 - Retirer toute clé de sécurité ou clé avant de mettre l'outil électrique en marche.**
Laisser une clé ou une clé de sécurité sur une partie mobile de l'outil électrique peut engendrer des blessures.
 - Ne pas trop se pencher. Toujours garder une bonne assise et un bon équilibre pendant le travail.**
Cela permet un meilleur contrôle de l'outil électrique dans des situations imprévisibles.
 - Porter des vêtements adéquats. Ne pas porter de vêtements amples ni de bijoux. Maintenir les cheveux, les vêtements et les gants loin des pièces mobiles.**
Les vêtements amples ou les cheveux longs peuvent se prendre dans les pièces mobiles.
 - En cas de dispositifs destinés au raccordement d'installations d'extraction et de recueil de la poussière, veiller à ce qu'ils soient correctement raccordés et utilisés.**
L'utilisation d'un dispositif de collecte de la poussière peut réduire les dangers associés à la poussière.
- #### 4) Utilisation et entretien d'un outil électrique
- Ne pas forcer sur l'outil électrique. Utiliser l'outil électrique adapté à vos travaux.**
Le bon outil électrique fera le travail mieux et en toute sécurité au régime pour lequel il a été conçu.
 - Ne pas utiliser l'outil électrique si l'interrupteur ne le met pas en position de marche et d'arrêt.**
Tout outil ne pouvant être contrôlé par l'interrupteur est dangereux et doit être réparé.
 - Débrancher la prise et/ou la batterie avant de procéder à des réglages, au remplacement des accessoires ou au stockage des outils électriques.**
Ces mesures préventives de sécurité réduisent les risques de démarrage accidentel de l'outil électrique.
 - Stockez les outils électriques inutilisés hors de la portée des enfants et ne pas laisser des personnes non familiarisées avec l'outil ou ces instructions utiliser l'outil électrique.**
Les outils électriques sont dangereux entre les mains d'utilisateurs non habilités.
 - Entretien les outils électriques. Vérifier l'absence de mauvais alignement ou d'arrêt, d'endommagement de pièces ou toute autre condition susceptible d'affecter l'opération de l'outil.**
Si l'outil est endommagé, le faire réparer avant utilisation.
De nombreux accidents sont dus à des outils mal entretenus.

f) **Maintenir les outils coupants aiguisés et propres.**
Des outils coupants bien entretenus avec des bords aiguisés sont moins susceptibles de se coincer et plus simples à contrôler.

g) **Utiliser l'outil électrique, les accessoires et les mèches de l'outil, etc. conformément à ces instructions en tenant compte des conditions d'utilisation et du travail à réaliser.**

L'utilisation de l'outil électrique pour des opérations différentes de celles pour lesquelles il a été conçu est dangereuse.

5) Service

a) **Faire entretenir l'outil électrique par un technicien habilité à l'aide de pièces de rechange identiques exclusivement.**

Cela garantira le maintien de la sécurité de l'outil électrique.

PRECAUTIONS

Maintenir les enfants et les personnes infirmes éloignés.

Lorsque les outils ne sont pas utilisés, ils doivent être rangés hors de portée des enfants et des personnes infirmes.

AVERTISSEMENTS DE SÉCURITÉ COURANTS POUR LES OPÉRATIONS DE MEULAGE OU DE DÉCOUPE PAR ABRASION

a) **Cet outil électronique est conçu pour une utilisation en tant que meuleuse ou appareil de tronçonnage. Lisez tous les avertissements, instructions, illustrations et spécifications accompagnant le présent outil.**

L'inobservation des instructions énumérées ci-dessous peut entraîner un choc électrique, un incendie et/ou une blessure grave.

b) **Les opérations telles que le sablage, le brossage métallique ou le polissage ne sont pas recommandées à l'aide du présent appareil.**

Toute utilisation de cet appareil à une fin autre que celles prévues est dangereuse et peut provoquer une blessure corporelle.

c) **N'utilisez pas d'accessoires autres que ceux spécifiquement désignés et recommandés par le fabricant.**

Le fait de pouvoir fixer un accessoire sur l'appareil ne signifie pas que son utilisation est sécurisée.

d) **La vitesse nominale de l'appareil doit être au moins égale à la vitesse maximale indiquée sur l'outil électrique.**

Les accessoires utilisés à une vitesse supérieure à la vitesse nominale peuvent se briser et se détacher.

e) **Le diamètre extérieur et l'épaisseur de votre accessoire doivent être inférieurs à la capacité nominale de votre outil électrique.**

Les accessoires de taille incorrecte ne peuvent être correctement protégés ou contrôlés.

f) **La taille d'ancrage des roues, brides, plaques ou autres accessoires doit être adaptée à l'arbre de l'outil électrique.**

Les accessoires comprenant des orifices d'ancrage qui ne correspondent pas au matériel de montage de l'outil électrique seront déséquilibrés, entraînant des vibrations excessives pouvant aboutir à une perte de contrôle.

g) **N'utilisez pas d'accessoire endommagé. Avant chaque utilisation, vérifiez que l'accessoire (par exemple les meules) n'est pas ébréché, craquelé ou défectueux, que la plaque n'est pas fissurée ou usée, et que la brosse est bien fixée et en bon état. Si l'outil électrique ou l'accessoire est tombé, vérifiez qu'il n'est pas endommagé ou installez un accessoire en bon état. Après avoir vérifié l'accessoire ou en avoir installé un nouveau, restez à l'écart de l'accessoire et faites tourner l'outil à vide pendant une minute à vitesse maximale.**

Si les accessoires sont endommagés, ils se cassent pendant ce test.

h) **Portez un équipement de protection individuelle. Selon l'application, utilisez un masque ou des lunettes de sécurité. Si besoin, portez un masque anti-poussière, des protecteurs d'oreille, des gants et un tablier capable d'arrêter les petits fragments abrasifs.**

La protection oculaire doit être capable d'arrêter les projections de débris générés au cours des différentes opérations. Le masque à poussière et le respirateur doivent être capables de filtrer les particules générées par votre opération. Une exposition prolongée à des bruits de haute intensité peut entraîner une perte d'audition.

i) **Toutes les personnes à proximité doivent rester à distance de l'aire de travail. Toute personne entrant dans l'aire de travail doit porter un équipement de protection individuelle.**

Les fragments de pièce usinée ou d'accessoire brisé peuvent être projetés au delà de la zone d'opération immédiate et provoquer une blessure.

j) **Maintenez l'outil électrique uniquement par les surfaces isolées lorsque vous effectuez une opération au cours de laquelle l'accessoire peut entrer en contact avec des câbles ou son propre câble d'alimentation.**

Si l'accessoire de découpe entre en contact avec un câble sous tension, les pièces métalliques de l'outil électrique risquent de transmettre le courant et d'infliger une décharge électrique à l'opérateur.

k) **Éloignez le cordon de l'accessoire en rotation.**

Si vous perdez le contrôle, le cordon risque d'être découpé, et vous risquez de vous coincer le main ou le bras dans l'accessoire en rotation.

l) **Ne posez jamais l'outil électrique avant l'arrêt complet de l'accessoire.**

L'accessoire en rotation risque d'accrocher la surface et de vous faire perdre le contrôle de l'outil électrique.

m) **Ne faites pas tourner l'outil électrique pendant que vous le transportez à la main.**

L'accessoire en rotation risque d'accrocher vos vêtements ou de vous blesser.

n) **Nettoyez régulièrement les événements de l'outil électrique.**

Le ventilateur du moteur risque d'attirer la poussière à l'intérieur du logement et l'accumulation excessive de métaux en poudre risque de provoquer un court-circuit.

o) **N'utilisez pas l'outil électrique à proximité de matériaux inflammables.**

Ces matériaux risquent de prendre feu sous l'effet des étincelles.

- p) **N'utilisez pas d'accessoires nécessitant des liquides de refroidissement.**

L'usage d'eau ou d'autres liquides de refroidissement peut entraîner une électrocution ou un choc électrique.

RECU DE L'APPAREIL ET AVERTISSEMENTS ASSOCIÉS

Le recul est une réaction soudaine provoquée par le pincement ou le coincement d'une meuleuse, d'une plaque, d'une brosse ou autre type d'accessoire. L'accessoire en rotation cale alors rapidement, ce qui projette l'outil électrique dans la direction opposée à la rotation de l'accessoire.

Par exemple, si une meule est coincée par la pièce à usiner, le rebord de la meule entrant dans le point de pincement peut accrocher la surface du matériau, entraînant un déchaussement de la meule. La meule peut alors dévier de sa trajectoire, vers l'opérateur ou dans la direction opposée, selon la direction de la meule au point de pincement. Les meules abrasives risquent de se briser.

Le recul est le résultat d'une utilisation abusive de l'outil électrique et/ou de l'inobservation des procédures d'utilisation. Il peut être évité en suivant les quelques précautions indiquées ci-dessous.

- a) **Maintenez fermement l'outil électrique et positionnez-vous de manière à résister aux reculs. Utilisez toujours la poignée auxiliaire, si prévue sur l'appareil, afin de contrôler au mieux ou recul ou la réaction de couple au cours du démarrage.**

L'opérateur peut contrôler les réactions de couple ou les forces de recul s'il prend les précautions adéquates.

- b) **Ne placez jamais votre main à proximité de l'accessoire en rotation.**

En reculant, l'accessoire peut blesser votre main.

- c) **Ne placez pas votre corps dans la zone de recul de l'appareil.**

Le recul propulse l'outil dans la direction opposée au mouvement de la meule au point de pincement.

- d) **Faites particulièrement attention lorsque vous travaillez sur des coins ou des rebords tranchants, etc. Évitez de faire rebondir l'accessoire et de le coincer.**

Les coins, rebords tranchants ou les rebonds ont tendance à coincer l'accessoire en rotation, provoquant une perte de contrôle ou un recul.

- e) **Ne fixez pas de scie à chaîne, de lame à sculpter ou autre lame de scie à dents.**

Ces lames sont souvent à l'origine de retours et de pertes de contrôle.

AVERTISSEMENTS DE SÉCURITÉ SPÉCIFIQUES AUX OPÉRATIONS DE MEULAGE ET DE DÉCOUPE PAR ABRASION

- a) **Utilisez uniquement des types de meules recommandées pour votre outil électrique ainsi que le dispositif de protection spécifiquement conçu pour la meule utilisée.**

Les meules autres que celles pour lesquelles cet outil électrique a été conçu ne peuvent être protégées de manière adéquate et ne sont pas sécurisées.

- b) **Le dispositif de protection doit être correctement fixé à l'outil électrique et positionné de manière à assurer une sécurité optimale, en laissant exposée la plus petite partie possible de la meule.**

Le dispositif de protection protège l'opérateur en cas de bris de la meule ou de contact accidentel.

- c) **Les meules doivent uniquement être utilisées pour les applications recommandées. Par exemple : n'utilisez pas le côté à tronçonner de la meule pour abraser.**

Les meules de tronçonnage par abrasion sont prévues pour un meulage périphérique. L'application d'une force latérale peut les faire briser en éclats.

- d) **Utilisez toujours des brides de taille et de forme adaptées à la meule utilisée.**

Les brides supportent la meule, réduisant ainsi le risque de bris. Les brides de meules de tronçonnage être différentes des brides de meules de remouleur.

- e) **N'utilisez pas de meules usées provenant d'outils électriques plus puissants.**

Les meules prévues pour des outils électriques plus puissants ne sont pas adaptées à la vitesse (supérieure) d'un outil de plus petite taille et risquent d'éclater.

AVERTISSEMENTS DE SÉCURITÉ SPÉCIFIQUES AUX OPÉRATIONS DE DÉCOUPE PAR ABRASION

- a) **Ne "surchargez" pas la meule à tronçonner et ne la soumettez pas à une pression excessive. Ne tentez pas de couper à une profondeur trop importante.**

Une sur-contrainte de la meule augmente la charge et la meule risque de se tordre au cours la découpe, provoquant un retour ou un bris de la meule.

- b) **Ne restez pas dans l'axe de la meule en rotation, et ne restez pas derrière celle-ci.**

Lorsque la meule s'écarte de vous, le retour potentiel risque de propulser la meule en rotation et l'outil électrique dans votre direction.

- c) **Lorsque la meule plie ou si vous arrêtez une découpe pour une raison quelconque, mettez l'outil électrique hors tension et maintenez-le sans bouger jusqu'à l'arrêt total de la meule. Ne tentez jamais de retirer la meule à tronçonner de la découpe lorsque la meule est en mouvement, sous peine de provoquer un recul.**

Recherchez la raison pour laquelle la meule s'est pliée et prenez les mesures qui s'imposent.

- d) **Ne redémarrez pas l'opération de découpe dans la pièce à usiner. Laissez la meule tourner jusqu'à vitesse maximale avant de la faire à nouveau entrer dans la fente.**

La meule risque de se tordre, de dévier de sa trajectoire ou de reculer si l'outil électrique est redémarré dans la pièce à usiner.

- e) **Soutenez les panneaux ou les pièces à usiner de grande taille pour éviter tout pincement de la meule ou mouvement de recul.**

Les pièces à usiner de grande taille ont tendance à ployer sous leur propre poids. Il est nécessaire de placer en dessous des cales à proximité de la ligne de découpe et près du rebord de la pièce des deux côtés de la meule.

f) Redoublez de vigilance si vous devez pratiquer une encoche dans un mur ou autre zone borgne.

La partie saillante de la meule risque d'entailler les conduites de gaz ou d'eau, les câbles électriques ou autres objets, provoquant ainsi un recul de l'appareil.

CONSIGNES DE SECURITE GENERALES RELATIVES AUX MEULEUSES DROITES

- Vérifiez que la vitesse indiquée sur la meule est égale ou supérieure à la vitesse nominale de la meuleuse.
- Vérifiez que les dimensions des meules sont compatibles avec la meuleuse.
- Les meules abrasives doivent être stockées et manipulées conformément aux instructions du fabricant.
- Inspectez la meule de la meuleuse avant utilisation, n'utilisez pas de produits ébréchés, craquelés ou défectueux.
- Vérifiez que les meules et les points montés sont installés conformément aux instructions du fabricant.
- Vérifiez que les buvards sont utilisés lorsqu'ils sont équipés du produit abrasif stratifié et lorsqu'ils sont nécessaires.
- Vérifiez que le produit abrasif est correctement monté et serré avant d'utiliser et de démarrer l'outil sans charge pendant 30 secondes en position sûre ; en cas de vibrations excessives ou autres défauts, arrêtez immédiatement l'outil. Si tel est le cas, vérifiez la machine pour en déterminer la cause.
- Si l'outil est équipé d'un protecteur, ne jamais utiliser cet outil sans ce protecteur.
- N'utilisez pas de douilles de réductions ou d'adaptateurs pour adapter des meules abrasives à grand orifice.
- Pour les outils destinés à être équipés d'une meule à orifice fileté, vérifiez que le fil dans la meule est suffisamment long pour accueillir la longueur de la broche.
- Vérifiez que la pièce de travail est correctement supportée.
- Ne pas utiliser de meule de coupe pour l'affûtage latéral.
- Vérifiez que les étincelles dues à l'utilisation ne représentent pas un danger, par ex. ne touchent pas des personnes ou enflamment des substances inflammables.
- Vérifiez que les bouches d'aération ne sont pas obstruées en travaillant dans un environnement poussiéreux ; s'il est nécessaire de nettoyer la poussière, débranchez d'abord l'outil de la prise d'alimentation (utilisez des objets non métalliques) et évitez d'endommager les pièces internes ;
- Utilisez toujours des lunettes et des protections auriculaires. Il est recommandé de porter des équipements de protection personnelle tels qu'un masque, des gants, un casque et un tablier.
- Prenez garde à la meule qui continue de tourner une fois l'outil éteint.

SPECIFICATIONS

Modèle		G12SA3	G13SB3
Tension (par zone)*		(110V, 230V, 240V) ∪	
Puissance*		1300 W	
Vitesse hors charge*		11000 min ⁻¹	
Meule	diamètre extérieur × diamètre intérieur	115 × 22 mm	125 × 22 mm
	vitesse périphérique	80 m/s	
Poids (unité principale uniquement)		1,9 kg	

* Assurez-vous de vérifier la plaque signalétique sur le produit, car elle peut changer suivant les zones

ACCESSOIRES STANDARD

- (1) Meule 1
 - (2) Clef 1
 - (3) Poignée latérale 1
- Les accessoires standard sont sujets à changement sans préavis.

APPLICATIONS

- Enlèvement des bavures de moulage et finition de différentes sortes de matériaux en acier, bronze ou aluminium et de moulages.
- Meulage de sections soudées ou de sections coupées par soudage.
- Meulage de résines synthétiques, d'ardoises, de briques, de marbre, etc.

- Découpe de ciment, pierre, brique, marbre synthétiques et autres matériaux similaires.

AVANT LA MISE EN MARCHÉ

- 1. Source de puissance**
S'assurer que la source de puissance à utiliser correspond à la puissance indiquée sur la plaque signalétique du produit.
- 2. Interrupteur de puissance**
S'assurer que l'interrupteur de puissance est en position ARRÊT. Si la fiche est branchée alors que l'interrupteur est sur MARCHE, l'outil démarre immédiatement et peut provoquer un grave accident.

3. Fil de rallonge

Lorsque la zone de travail est éloignée de la source de puissance, utiliser un fil de rallonge d'une épaisseur suffisante et d'une capacité nominale suffisante. Le fil de rallonge doit être aussi court que possible.

4. Fixation et réglage du couvre-meule

Le couvre-meule est un dispositif de protection pour éviter une blessure au cas où la meule se briserait lors du fonctionnement. S'assurer qu'il est correctement placé et fixé avant de commencer meuler et régler l'angle souhaité du modèle. S'assurer que l'écrou de réglage est resserré à fond après le réglage du couvre-meule.

[Dans le cas de couvre-meule sans outil] (Fig. 3)

- Installez l'assemblage de la meule sur le presse-étoupe.
- Serrez la vis M5 pour immobiliser le couvre-meule pendant que le levier est dans la position fermée.
- Ajustez le couvre-meule pendant que le levier est relâché. (Desserrez la vis M5 et réajustez si le couvre-meule ne tourne pas régulièrement.)
- Si la machine doit être utilisée après l'ajustement, n'oubliez pas de régler d'abord le levier en position fermée.
- Lubrifiez la partie coulissante de la pièce de réglage (B) et le levier si vous avez du mal à le bouger.

5. Vérifier que les meules montées et les pointes sont installées conformément aux instructions du fabricant.

S'assurer que la meule utilisée est le bon modèle, et qu'elle est dépourvue de fêlures et de défauts de surface. Vérifier aussi que la meule est correctement montée et que l'écrou de la meule est bloqué. Consulter la section "MONTAGE ET DEMONTAGE DE LA MEULE".

Bien utiliser des patins s'ils sont fournis avec le produit abrasif et qu'ils sont nécessaires.

Ne pas utiliser de coussinets d'adaptateur de réduction séparés pour adapter des meules abrasives à orifice large.

Avec les outils conçus pour un montage sur meule à orifice fileté, vérifier que le filetage de la meule est suffisamment long pour la longueur de la broche. Ne pas utiliser de meule à tronçonner pour un meulage latéral.

6. Effectuer un essai

Vérifier que le produit abrasif est correctement monté et solidement fixé avant l'utilisation et faire tourner l'outil à vide pendant 30 secondes dans une position sûre, et arrêter immédiatement l'outil s'il y a trop de vibrations ou si l'on constate d'autres anomalies. Si ce genre d'anomalies se produit, vérifier l'outil pour en déterminer la cause.

7. Confirmer la position du bouton poussoir.

Vérifier que la bouton poussoir est libéré en appuyant deux ou trois sur le bouton poussoir avant de mettre l'outil en marche (voir la Fig. 2).

8. Mise en place de la poignée latérale

Visser la poignée latérale dans le couvercle d'engrenage.

FONCTIONNEMENT

1. Pression

Pour prolonger la vie de la machine et réaliser un fini de première qualité, il est important de ne pas surcharger la machine en exerçant une pression trop grande. Dans la plupart des applications, le poids de la machine seule suffit pour un bon meulage. Une trop grande pression peut entraîner une réduction de la vitesse de rotation, un moins bon fini de surface et une surcharge qui réduirait la durée de vie de la machine.

2. Angle de meulage

Ne pas appliquer la surface totale de la meule au matériau à meuler. Suivant la Fig. 1, la machine doit être tenue à un angle de 15° - 30° de manière à ce que le bord extérieur de la meule soit en contact avec la pièce à meuler à un angle optimal.

3. Pour éviter qu'une nouvelle meule ne creuse la pièce à meuler, le meulage initial doit se faire en tirant la machine vers l'opérateur sur la pièce (Fig. 1 direction B). Une fois que le bord d'attaque de la meule est correctement abrasé, on peut meuler dans l'une ou l'autre direction.

4. Précautions à prendre aussitôt le meulage terminé

La roue continue à tourner pendant quelques instants quand on éteint l'outil.

Après avoir arrêté la machine, ne pas la poser avant l'arrêt complet de la meule. Cette précaution évitera non seulement tout accident grave, mais réduira aussi la quantité de poussière et de copeaux de métal aspirée par la machine.

ATTENTION

- Vérifier que la pièce est correctement soutenue.
- S'assurer que les événements d'aération sont bien dégagés lors d'un travail entraînant de la poussière. S'il devient nécessaire d'enlever la poussière, commencer par débrancher l'outil de la prise secteur (utiliser des objets non métalliques) et veiller à ne pas endommager les pièces internes.
- S'assurer que les étincelles provoquées lors du travail ne posent pas de danger, par exemple qu'elles ne touchent pas des personnes, et qu'elles n'enflamment pas de substances inflammables.
- Toujours porter des lunettes de sécurité et des protecteurs, ainsi que des vêtements de protection comme des gants, un tablier et un casque, lorsque cela est nécessaire.
- Toujours porter des protections pour les yeux et les oreilles.
Il faudra également porter par exemple un masque anti-poussière, des gants, un casque et un tablier lorsque cela est nécessaire.
- En cas de doute, porter un équipement de protection.
- Lorsque la machine n'est pas utilisée, elle doit être débranchée.

MONTAGE ET DEMONTAGE DE LA MEULE (Fig. 2)

ATTENTION: S'assurer de mettre l'appareil hors tension et de déconnecter la prise du secteur pour éviter des problèmes.

1. Montage (Fig. 2)

- (1) Retourner la meuleuse à l'envers de façon que l'arbre soit dirigé vers le haut.

- (2) Aligner les aplats en couronne de la rondelle de la meule sur la section à encoche de l'arbre, puis les fixer.
- (3) Faire correspondre la protubérance de la meule à moyeu décentré à la rondelle de la meule.
- (4) Visser l'écrou de la meule sur l'arbre.
- (5) Tout en appuyant d'une main sur le bouton poussoir, verrouiller l'arbre en tournant lentement la meule à moyeu décentré de l'autre main.
Serrer l'écrou de la meule à l'aide de la clé fournie, comme indiqué sur la **Fig. 2**.

2. Démontage

Même opération en sens inverse.

ATTENTION

- Vous assurer que la meule est fermement montée.
- Vérifier que la bouton poussoir est libéré en appuyant deux ou trois sur le bouton poussoir avant de mettre l'outil en marche.

ENTRETIEN ET CONTROLE

1. Contrôle de la meule

Vérifier que la meule est dépourvue de fêlures et de défauts de surface. Balai en carbone peut se retirer facilement.

2. Contrôle des vis de montage

Vérifier régulièrement les vis de montage et s'assurer qu'elles sont correctement serrées. Resserrer immédiatement toute vis desserrée. Sinon, il y a danger sérieux.

3. Contrôle des balais en carbone (Fig. 4)

Le moteur utilise des balais en carbone qui sont des pièces qui s'usent. Comme un balai en carbone trop usé peut détériorer le moteur, le remplacer par un nouveau du même No. que celui montré à la figure quand il est usé ou à la limite d'usure. En outre, toujours tenir les balais propres et veiller à ce qu'ils coulissent librement dans les supports.

4. Remplacement d'un balai en carbone (Fig. 5)

<Démontage>

- (1) Desserrer la vis taraudeuse D4 qui retient le couvercle arrière pour l'enlever.
- (2) Utiliser la clé auxiliaire à six pans ou un petit tournevis pour soulever le bord du ressort qui retient le balai en carbone. Retirer le bord du ressort vers l'extérieur du support du balai.
- (3) Enlever le bord du flexible du balai en carbone de la section du support de balai et retirer le balai en carbone de son support.

<Montage>

- (1) Insérer l'extrémité du flexible du balai en carbone dans la section finale du support du balai.
- (2) Insérer le balai en carbone dans son support.
- (3) Utiliser la clé auxiliaire à six pans ou un petit tournevis pour remettre le bord du ressort contre la tête du balai en carbone.
- (4) Fermer le couvercle arrière et serrer la vis taraudeuse D4.

5. Entretien du moteur

Le bobinage de l'ensemble moteur est le "cœur" même de l'outil électro-portatif. Veiller soigneusement à ce que ce bobinage ne soit pas endommagé et/ou mouillé par de l'huile ou de l'eau.

6. Liste des pièces de rechange

- A: No. élément
- B: No. code
- C: No. utilisé
- D: Remarques

ATTENTION

Les réparations, modifications et inspections des outils électriques Hitachi doivent être confiées à un service après-vente Hitachi agréé.

Il sera utile de présenter cette liste de pièces au service après-vente Hitachi agréé lorsqu'on apporte un outil nécessitant des réparations ou tout autre entretien.

Lors de l'utilisation et de l'entretien d'un outil électrique, respecter les règlements et les normes de sécurité en vigueur dans le pays en question.

MODIFICATIONS

Les outils électriques Hitachi sont constamment améliorés et modifiés afin d'incorporer les tous derniers progrès technologiques.

En conséquence, il est possible que certaines pièces (c.-à-d. no. de code et/ou dessin) soient modifiées sans avis préalable.

GARANTIE

Nous garantissons que l'ensemble des Outils électriques Hitachi sont conformes aux réglementations spécifiques statutaires/nationales. Cette garantie ne couvre pas les défauts ni les dommages inhérents à une mauvaise utilisation, une utilisation abusive ou l'usure et les dommages normaux. En cas de réclamation, veuillez envoyer l'Outil électrique, en l'état, accompagné du CERTIFICAT DE GARANTIE qui se trouve à la fin du Mode d'emploi, dans un service d'entretien autorisé.

NOTE

Par suite du programme permanent de recherche et de développement HITACHI, ces spécifications peuvent faire l'objet de modifications sans avis préalable.

Au sujet du bruit et des vibrations

Les valeurs mesurées ont été déterminées en fonction de la norme EN60745 et déclarées conforme à ISO 4871.

Niveau de puissance sonore pondérée A: 97 dB (A)
Niveau de pression acoustique pondérée A: 86 dB (A)
Incertitude KpA: 3 dB (A)

Porter un casque de protection.

Valeur d'accélération moyenne quadratique pondérée type: 4,0 m/s².

En cas d'utilisation de la poignée latérale d'amortissement des vibrations, les valeurs de vibration main-bras type de l'outil électroportatif utilisé sont inférieures à 2,5 m/s².

AVVERTIMENTI GENERALI DI SICUREZZA SUGLI UTENSILI ELETTRICI

⚠ AVVERTENZA

Leggere tutti gli avvertimenti di sicurezza e tutte le istruzioni.

La mancata osservanza degli avvertimenti e delle istruzioni potrebbe essere causa di scosse elettriche, incendi e/o gravi lesioni.

Salvare tutti gli avvertimenti e le istruzioni per riferimenti futuri.

Il termine "elettroutensili" riportato nelle avvertenze si riferisce agli elettroutensili azionati con alimentazione di rete (via cavi) o a batterie (senza cavi).

1) Sicurezza dell'area operativa

- a) **Mantenere l'area operativa pulita e ordinata.**
Aree operative sporche o disordinate possono favorire gli infortuni.
- b) **Non utilizzare gli elettroutensili in atmosfere esplosive, ad es. in presenza di liquidi, gas o polveri infiammabili.**
Gli elettroutensili generano delle scintille che potrebbero accendere la polvere o i fumi.
- c) **Tenere lontani bambini e astanti durante l'utilizzo degli elettroutensili.**
Qualsiasi distrazione può essere causa di perdita di controllo.

2) Sicurezza elettrica

- a) **Le spine degli elettroutensili devono essere idonee alle prese disponibili.**
Non modificare mai le prese.
Con gli elettroutensili a massa (messi a terra), non utilizzare alcun adattatore.
L'utilizzo di spine intatte e corrispondenti alle prese disponibili ridurrà il rischio di scosse elettriche.
- b) **Evitare qualsiasi contatto con le superfici a massa o a terra, quali tubi, radiatori, fornelli e frigoriferi.**
In caso di messa a terra o massa del corpo, sussiste un maggior rischio di scosse elettriche.
- c) **Non esporre gli elettroutensili alla pioggia o all'umidità.**
La penetrazione di acqua negli elettroutensili aumenterà il rischio di scosse elettriche.
- d) **Non tirare il cavo. Non utilizzarlo per il trasporto, o per tirare o scollegare l'elettroutensile.**
Tenere il cavo lontano da fonti di calore, oli, bordi appuntiti o parti in movimento.
Cavi danneggiati o attorcigliati possono aumentare il rischio di scosse elettriche.
- e) **Durante l'uso degli elettroutensili all'esterno, utilizzare una prolunga idonea per usi esterni.**
L'utilizzo di cavi per esterno riduce il rischio di scosse elettriche.
- f) **Se è impossibile evitare l'impiego di un utensile elettrico in un luogo umido, utilizzare l'alimentazione protetta da un dispositivo a corrente residua (RCD).**
L'uso di un RCD riduce il rischio di scosse elettriche.

3) Sicurezza personale

- a) **Durante l'uso degli elettroutensili, state all'erta, verificate ciò che state eseguendo e adottate sempre il buon senso.**
Non utilizzate gli elettroutensili qualora siate stanchi, sotto l'influenza di farmaci, alcol o cure mediche.
Anche un attimo di disattenzione durante l'uso degli elettroutensili potrebbe essere causa di gravi lesioni personali.

- b) **Indossate l'attrezzatura di protezione personale. Indossate sempre le protezioni oculari.**
L'attrezzatura protettiva, quali maschera facciale, calzature antiscivolo, caschi o protezioni oculari ridurrà il rischio di lesioni personali.
 - c) **Impedite le accensioni involontarie. Prima del collegamento a una sorgente di alimentazione e/o pacco batteria e prima di raccogliere o trasportare l'utensile, verificate che l'interruttore sia posizionato su OFF.**
Il trasporto degli elettroutensili tenendo le dita sull'interruttore o l'attivazione elettrica degli utensile che hanno l'interruttore su ON, implica il rischio di incidenti.
 - d) **Prima di attivare l'elettroutensile, rimuovete qualsiasi chiave di regolazione.**
Lasciando la chiave in un componente in rotazione dell'elettroutensile, sussiste il rischio di lesioni personali.
 - e) **Mantenersi in equilibrio. Mantenersi sempre su due piedi, in equilibrio stabile.**
Ciò consente di controllare al meglio l'elettroutensile in caso di situazioni impreviste.
 - f) **Vestirsi in modo adeguato. Non indossare abiti larghi o gioielli. Tenere i capelli, gli abiti e i guanti lontano dalle parti in movimento.**
Abiti allentati, gioielli e capelli lunghi potrebbero impigliarsi nelle parti in movimento.
 - g) **In caso di dispositivi provvisti di collegamento ad apparecchiature di rimozione e raccolta polveri, verificare che queste siano collegate e utilizzate in modo adeguato.**
L'utilizzo della raccolta della polvere può ridurre i rischi connessi alle polveri.
- 4) Utilizzo e manutenzione degli elettroutensili**
- a) **Non utilizzare elettroutensili non idonei. Utilizzare l'elettroutensile idoneo alla propria applicazione.**
Utilizzando l'elettroutensile corretto, si garantirà un'esecuzione migliore e più sicura del lavoro, alla velocità di progetto.
 - b) **Non utilizzare l'elettroutensile qualora non sia possibile accenderlo/spengerlo tramite l'interruttore.**
È pericoloso utilizzare elettroutensili che non possano essere azionati dall'interruttore. Provvedere alla relativa riparazione.
 - c) **Prima di effettuare qualsiasi regolazione, sostituire gli accessori o depositare gli elettroutensili, scollegare la spina dalla presa elettrica e/o il pacco batteria dall'utensile elettrico.**
Queste misure di sicurezza preventive riducono il rischio di avvio involontario dell'elettroutensile.
 - d) **Depositare gli elettroutensili non utilizzati lontano dalla portata dei bambini ed evitare che persone non esperte di elettroutensili o non a conoscenza di quanto riportato sulle presenti istruzioni azionino l'elettroutensile.**
È pericoloso consentire che utenti non esperti utilizzino gli elettroutensili.
 - e) **Manutenzione degli elettroutensili. Verificare che non vi siano componenti in movimento disallineati o bloccati, componenti rotti o altre condizioni che potrebbero influenzare negativamente il funzionamento dell'elettroutensile.**
In caso di guasti, provvedere alla riparazione dell'elettroutensile prima di riutilizzarlo.
Molti incidenti sono causati da una scarsa manutenzione.

f) **Mantenere gli strumenti di taglio affilati e puliti.**
Gli strumenti di taglio in condizioni di manutenzione adeguata, con bordi affilati, sono meno soggetti al bloccaggio e sono più facilmente controllabili.

g) **Utilizzare l'elettrotensile, gli accessori, le barrette, ecc. in conformità a quanto riportato nelle presenti istruzioni, tenendo in debita considerazione le condizioni operative e il tipo di lavoro da eseguire.**

L'uso dell'utensile elettrico per operazioni diverse da quelle previste potrebbe causare una situazione pericolosa.

5) Assistenza

a) **Affidate le riparazioni dell'elettrotensile a persone qualificate che utilizzino solamente parti di ricambio identiche.**

Ciò garantirà il mantenimento della sicurezza dell'elettrotensile.

PRECAUZIONI

Tenere lontano dalla portata di bambini e invalidi.

Quando non utilizzati, gli strumenti dovranno essere depositi lontano dalla portata di bambini e invalidi.

AVVERTIMENTI DI SICUREZZA COMUNI PER LE OPERAZIONI DI SMERIGLIATURA O DI TAGLIO ABRASIVO

a) **Questo utensile elettrico ha lo scopo di funzionare come smerigliatrice o utensile di taglio. Leggere tutti gli avvertimenti di sicurezza, istruzioni e specifiche in dotazione con il presente utensile elettrico.**

La mancata osservanza di tutte le istruzioni elencate di seguito può risultare in scosse elettriche, incendio e/o lesioni gravi.

b) **L'esecuzione di operazioni come la sabbatura, la spazzolatura metallica o la lucidatura non è consigliabile con questo utensile elettrico.**

Le operazioni per le quali l'utensile elettrico non è stato progettato possono creare un pericolo e causare lesioni personali.

c) **Non utilizzate accessori che non siano specificatamente progettati e raccomandati dal produttore dell'utensile.**

Il solo fatto che l'accessorio possa essere fissato all'utensile elettrico non significa che ne garantisca un funzionamento sicuro.

d) **La velocità nominale dell'accessorio deve essere almeno uguale alla velocità massima contrassegnata sull'utensile elettrico.**

Gli accessori utilizzati ad una velocità superiore a quella nominale si possono rompere e sgretolarsi in volo.

e) **Il diametro esterno e lo spessore del vostro accessorio deve rientrare entro la capacità nominale dell'utensile elettrico.**

Gli accessori dalle dimensioni errate non possono essere adeguatamente protetti o controllati.

f) **La dimensione del mandrino di mole, flangie, platorelli di supporto o di qualsiasi altro accessorio deve corrispondere esattamente all'asse dell'utensile elettrico.**

Gli accessori con i fori del mandrino che non corrispondono alla struttura di montaggio dell'utensile elettrico esauriranno l'equilibrio, vibreranno eccessivamente e potrebbero causare la perdita del controllo.

g) **Non usate accessori danneggiati. Prima di ciascun utilizzo, ispezionate l'accessorio come le mole abrasive per controllare la presenza di schegge e crepe, la presenza di crepe, lacerazioni o eccessiva usura nel platorello di supporto, la presenza di cavi allentati o incrinati nella spazzola di metallo. Se l'utensile elettrico o l'accessorio viene fatto cadere, esaminare la presenza di eventuali danni o installare un accessorio non danneggiato. Dopo aver ispezionato e installato un accessorio, posizionate voi stessi e gli eventuali passanti lontano dal piano dell'accessorio rotante e utilizzate l'utensile elettrico alla velocità a vuoto massima per un minuto.**

Gli accessori danneggiati normalmente si sgretoleranno durante questo periodo di prova.

h) **Indossate apparecchiature di protezione personale. A seconda dell'applicazione, utilizzate una visiera e occhiali di sicurezza. A seconda delle necessità, indossate una maschera per la polvere, protezioni per l'udito, guanti e un grembiule in grado di fermare frammenti abrasivi o di lavorazione.**

La protezione oculare deve essere in grado di fermare i detriti volanti generati dalle varie operazioni. La maschera per la polvere o il respiratore deve essere in grado di filtrare le particelle generate dall'operazione. L'esposizione prolungata al rumore di elevata intensità può causare la perdita dell'udito.

i) **Tenete i passanti a distanza di sicurezza dalla zona di lavoro. Chiunque entra nella zona di lavoro deve indossare apparecchiature di protezione personale.**

I frammenti del pezzo da lavorare o di un accessorio rotto possono volare via e causare lesioni al di là dell'immediata zona di lavorazione.

j) **Tenete l'utensile elettrico solo per le superfici di afferraggio isolate, quando eseguite un'operazione dove l'accessorio di taglio può entrare a contatto con del cablaggio nascosto o con il proprio cavo.**

L'accessorio di taglio, a contatto con un cavo sotto tensione, può mettere sotto tensione le parti metalliche esposte dell'utensile elettrico e dare una scossa all'operatore.

k) **Posizionate il cavo lontano dall'accessorio rotante.**

Se perdetevi il controllo, il cavo potrebbe essere tagliato o impigliato e potrebbe tirare la vostra mano o il vostro braccio nell'accessorio rotante.

l) **Non posate mai l'utensile elettrico finché l'accessorio non si è completamente arrestato.**

L'accessorio rotante potrebbe afferrare la superficie e farvi perdere il controllo dell'utensile elettrico.

m) **Non utilizzate l'utensile elettrico mentre lo state trasportando al vostro fianco.**

Il contatto accidentale con l'accessorio rotante potrebbe impigliare i vostri indumenti, tirando l'accessorio verso il vostro corpo.

n) **Pulite regolarmente le ventole d'aria dell'utensile elettrico.**

La ventola del motore attirerà la polvere all'interno dell'alloggiamento e l'accumulo eccessivo di metallo polverizzato potrebbe causare pericoli elettrici.

o) **Non utilizzate l'utensile elettrico vicino ai materiali infiammabili.**

Le scintille potrebbero far prendere fuoco a tali materiali.

p) **Non utilizzate accessori che richiedono refrigeranti liquidi.**

L'utilizzo di acqua o altri refrigeranti liquidi potrebbe causare elettrocuzione o scosse elettriche.

KICKBACK AND RELATED WARNINGS

Il rinculo è una reazione improvvisa provocata da una mola rotante, platorello di supporto, spazzola o altro accessorio pinzati o impigliati. Ciò causa un rapido arresto dell'accessorio rotante che a sua volta provoca la perdita di controllo dell'utensile elettrico, costringendolo ad andare nella direzione opposta della rotazione dell'accessorio al punto di attacco.

Per esempio, se una mola abrasiva viene impigliata o pinzata dal pezzo della lavorazione, l'estremità della mola che entra nel punto di pinzaggio può scavare nella superficie del materiale causando lo spostamento o rinculo della mola. La mola può saltare verso l'operatore o via da esso, a seconda della direzione del movimento della mola al punto di pinzaggio. E' inoltre possibile che le mole abrasive si spezzino in queste condizioni.

Il rinculo è il risultato di un utilizzo erraneo dell'utensile elettrico e/o di procedure o condizioni di utilizzo erronne e può essere evitato prendendo i necessari provvedimenti elencati di seguito.

- a) Manteneate una presa ferma sull'utensile elettrico e posizionate il vostro corpo e braccio in modo da permettervi di resistere alle forze del rinculo. Utilizzate sempre la maniglia ausiliaria, per il massimo controllo sul rinculo o la reazione di coppia durante l'avviamento.**

L'operatore è in grado di controllare le reazioni di coppia o le forze del rinculo se vengono prese le adeguate precauzioni.

- b) Non posizionate mai la vostra mano vicino all'accessorio rotante.**

L'accessorio potrebbe avere una reazione di rinculo sulla vostra mano.

- c) Non posizionate il vostro corpo nella zona dove si sposterà l'utensile se si verifica il rinculo.**

Il rinculo spingerà l'utensile nella direzione opposta al movimento della mola al punto di impigliamento.

- d) Fate particolare attenzione quando lavorate angoli, estremità appuntite, ecc. Evitate di far saltare e impigliare l'accessorio.**

Gli angoli, le estremità appuntite o gli sbalottamenti hanno una tendenza a far impigliare l'accessorio rotante e causare la perdita del controllo o rinculo.

- e) Non fissate una lama da moto sega per intagliare il legno o una lama di sega dentata.**

Tali lame creano rinculo e perdita del controllo frequenti.

AVVERTIMENTI DI SICUREZZA SPECIFICI PER LE OPERAZIONI DI SMERIGLIATURA E DI TAGLIO ABRASIVO

- a) Usate solo tipi di mole consigliati per il vostro utensile elettrico e per lo specifico carter progettato per la mola selezionata.**

Le mole per le quali l'utensile elettrico non è stato progettato non possono essere adeguatamente protette e non sono sicure.

- b) Il carter deve essere fermamente fissato all'utensile elettrico e posizionato per la massima sicurezza, in modo che una quantità minima di mola sia esposta verso l'operatore.**

Il carter serve proteggere l'operatore dai frammenti di mola rotta e dal contatto accidentale con la mola.

- c) Le mole devono essere utilizzate solo per le applicazioni raccomandate. Per esempio: non smerigliate con il lato della mola di taglio.**

Le mole di taglio abrasive servono per la smerigliatura periferica, le forze laterali applicate a tali mole possono causarne la rottura.

- d) Utilizzate sempre flangie di mole non danneggiate che siano delle dimensioni e forma corrette per la mola selezionata.**

Le flangie delle mole corrette supportano la mola riducendo la possibilità di rottura della mola. Le flangie per le mole di taglio possono differire da quelle delle mole di smerigliatura.

- e) Non utilizzate mole usurate da utensile elettrici più grossi.**

Le mole per utensili elettrici di maggiori dimensioni non sono adatte per la velocità superiore di un utensile più piccolo e potrebbero scoppiare.

AVVERTIMENTI DI SICUREZZA AGGIUNTIVI SPECIFICI PER LE OPERAZIONI DI TAGLIO ABRASIVO

- a) Non "inceppate" la mola di taglio o applicate una pressione eccessiva. Non tentate di fare una profondità di taglio eccessiva.**

La sovrastimolazione della mola aumenta il carico e la possibilità che la mola si attorcigli o incastri nel taglio e pertanto l'insorgenza del rinculo o della rottura della mola.

- b) Non posizionate il corpo in linea con e dietro la mola rotante.**

Quando la mola, al punto di funzionamento, si sposta lontano dal corpo, il possibile rinculo potrebbe spingere la mola rotante e l'utensile elettrico direttamente verso di voi.

- c) Quando la mola si incastra o interrompe un taglio per qualsiasi ragione, spegnete l'utensile elettrico e tenetelo fermo finché la mola non si arresta completamente. Non tentate mai di rimuovere la mola di taglio dal taglio mentre la mola è in movimento altrimenti potrebbe verificarsi il rinculo. Investigate e prendete i necessari provvedimenti per eliminare la causa dell'inceppamento della mola.**

- d) Non riavviate l'operazione di taglio nel pezzo da lavorare. Lasciate che la mola raggiunga la velocità totale e rientrate attentamente nel taglio.**

La mola potrebbe incepparsi, saltare o causare il rinculo se l'utensile elettrico viene riavviato nel pezzo da lavorare.

- e) Supportare i pannelli o qualsiasi pezzo da lavorare di grosse dimensioni per minimizzare il rischio di pizzicamento della mola e rinculo.**

I pezzi da lavorare di grosse dimensioni tendono a cedere sotto il loro stesso peso. È necessario posizionare dei supporti sotto il pezzo da lavorare vicino alla linea di taglio e vicino all'estremità del pezzo da lavorare su ambo i lati della mola.

- f) Prestare particolare attenzione durante l'esecuzione di un "taglio tascabile" in pareti esistenti o altre zone cieche.**

La mola sporgente potrebbe tagliare le tubazioni del gas o dell'acqua, i cavi elettrici o oggetti che possono causare il rinculo.

ISTRUZIONI DI SICUREZZA GENERALI PER SMERIGLIATRICI

- Verificare che la velocità riportata sulla mola sia pari o superiore alla velocità nominale della smerigliatrice.
- Verificare che le dimensioni della mola siano compatibili con la smerigliatrice;
- Le mole devono essere immagazzinate e maneggiate con attenzione, secondo le istruzioni del produttore.
- Ispezionare la mola prima dell'utilizzo; evitare l'utilizzo di prodotti scheggiati, rotti o comunque danneggiati.
- Verificare che le mole e le punte montate siano installate secondo le istruzioni del produttore.
- Utilizzare i tamponi se questi vengono forniti con il prodotto abrasivo incollato, e quando sono richiesti.
- Verificare che il prodotto abrasivo sia montato e fissato correttamente prima dell'uso; far funzionare l'attrezzo a vuoto per 30 sec. In posizione sicura, arrestandolo immediatamente in caso di forti vibrazioni o altre anomalie. Se si verifica tale condizione, controllare la macchina per determinarne la causa.
- Se l'attrezzo viene fornito con una protezione, evitare di utilizzarlo senza tale protezione;
- Evitare l'utilizzo di boccole di riduzione o adattatori separati per adattare mole con fori più grandi;
- Nel caso di attrezzi da utilizzare con mole a foro filettato, verificare che la filettatura della mola sia lunga a sufficienza da accettare la lunghezza dell'albero;
- Verificare che il pezzo di lavoro sia adeguatamente sostenuto;
- Non utilizzare mole da taglio per smerigliare lateralmente;
- Evitare che le scintille create dalla lavorazione causino rischi, vale a dire che colpiscano persone o possano accendere sostanze infiammabili.
- Verificare che le aperture di ventilazione siano mantenute libere, quando si lavora in ambienti polverosi; se fosse necessario eliminare la polvere, scollegare prima l'attrezzo dall'alimentazione elettrica (utilizzare oggetti non metallici), evitando di danneggiare l'interno dell'attrezzo.
- Indossare sempre protezioni per occhi e orecchie. Indossare altri dispositivi di protezione personale, quali maschera antipolvere, guanti, casco e grembiule.
- Prestare attenzione alla mola, che continua a ruotare dopo lo spegnimento dell'attrezzo.

CARATTERISTICHE

Modello		G12SA3	G13SB3
Voltaggio (per zone)*		(110V, 230V, 240V) ~	
Potenza assorbita*		1300 W	
Velocità senza carico*		11000 min ⁻¹	
Mola	Diametro esterno × diametro interno	115 × 22 mm	125 × 22 mm
	Velocità periferica	80 m/s	
Peso (solamente l'apparecchio principale)		1,9 kg	

* Accertatevi di aver controllato bene la piastrina perchè essa varia da zona a zona.

ACCESSORI STANDARD

- (1) Mola 1
 (2) Chiave 1
 (3) Impugnatura laterale 1
 Gli accessori standard possono essere cambiati senza preavviso.

IMPIEGHI

- Asportazione di bavature di getti e rifinitura di vari tipi di materiali d'acciaio, bronzo e alluminio e oggetti di ghisa.
- Molatura di sezioni saldate o sezioni tagliate a mezzo saldatore.
- Molatura di resine sintetiche, ardesia, mattoni, marmo, ecc.
- Taglio di cemento sintetico, pietre, mattoni, marmo e materiali simili.

PRIMA DELL'USO

- 1. Alimentazione**
Assicurarsi che la rete di alimentazione che si vuole usare sia compatibile con le caratteristiche relative all'alimentazione di corrente specificate nella piastrina dell'apparecchio.
- 2. Interruttore di corrente**
Mettere l'interruttore in posizione SPENTO. Se la spina è infilata in una presa mentre l'interruttore è acceso, l'utensile elettrico si mette immediatamente in moto, facilitando il verificarsi di incidenti gravi.
- 3. Prolunga del cavo**
Quando l'ambiente di lavoro è lontano da una presa di corrente, usare una prolunga del cavo di sufficiente spessore e di prestazione adeguata. La prolunga deve essere più corta possibile.
- 4. Fissaggio e regolazione del carter della mola**
Il carter della mola è un dispositivo per evitare lesioni nel caso che la mola dovesse frantumarsi durante il funzionamento. Assicurarsi che il carter

sia ben messo e fissato, prima di iniziare operazioni di molatura. Allentando un poco la vite di regolazione, il carter può essere ruotato e posto a qualsiasi angolo che si desidera, per ottenere la massima efficacia. Assicurarsi che la vite di regolazione sia serrata a fondo, dopo aver regolato il carter della mola.

[In caso di carter della mola privo di utensile](Fig. 3)

- Sistemare il gruppo della mola sul premistoppa.
- Stringere la vite M5 per fissare il carter della mola mentre la leva è nella posizione di chiusura.
- Effettuare la regolazione del carter della mola mentre la leva viene rilasciata. (Allentare la vite M5 e rirregolarla se il carter della mola non ruota regolarmente.)
- Dopo la regolazione, se è necessaria un'operazione con la macchina, eseguire l'operazione solo dopo aver regolato la leva nella posizione di chiusura.
- Lubrificare la sezione scorrevole del pezzo fissato (B) e la leva se la leva non si muove regolarmente.

5. Assicurarsi che le mole e le punte montate siano applicate secondo le istruzioni del fabbricante. Assicurarsi che la mola da usare sia del tipo giusto e non abbia incrinature o difetti sulla superficie. Assicurarsi anche che la mola sia ben montata e che il dado della mola sia ben stretto. Vedere il capitolo relativo al "MONTAGGIO E RIMOZIONE DELLA MOLA".

Assicurarsi di usare gli asciugatori se sono forniti insieme al prodotto abrasivo incollato e quando sono necessari.

Non usare boccole di riduzione separate o adattatori per adattare mole abrasive a foro largo.

Per utensili cui devono essere applicate mole a foro filettato, assicurarsi che la filettatura della mola sia di lunghezza sufficiente ad accettare la lunghezza del perno.

Non usare una mola di taglio per molature laterali.

6. Esecuzione di una corsa di prova

Assicurarsi che i prodotti abrasivi siano montati e serrati correttamente prima dell'uso e far funzionare l'utensile senza carico per 30 secondi in una posizione sicura, fermandolo immediatamente se si notano vibrazioni considerevoli o altri difetti. Se si verificano tali condizioni, controllare la macchina per determinare la causa.

7. Controllare il pulsante di bloccaggio.

Esso deve venire sollevato premendolo due o tre volte prima di accendere l'utensile a motore (Vds. Fig. 2).

8. Fissaggio dell'impugnatura laterale

Avvitare l'impugnatura laterale sul coperchio degli ingranaggi.

2. Angolo di molatura

Non appoggiare l'intera superficie della mola al materiale da molare. (Vedere Fig. 1), la macchina deve essere tenuta ad un angolo di 15° - 30°, in modo che il bordo esterno della mola venga a contatto dell'oggetto da lavorare con un angolo ottimale.

3. Per evitare che una mola nuova scavi nell'oggetto da lavorare, all'inizio la molatura deve essere eseguita tirando la smerigliatrice, attraverso l'oggetto da lavorare, nella direzione dell'operatore (Fig. 1 direzione B). Una volta smussato a punto lo spigolo della mola, la molatura puessere eseguita nell'uno o nell'altro senso.

4. Precauzioni da prendere immediatamente dopo aver eseguito il lavoro di rifinitura

La mola continua a ruotare dopo che l'utensile è stato spento.

Dopo aver spento la macchina, non posarla fino a che la mola non sia completamente arrestata. Oltre ad evitare gravi incidenti, questa precauzione riduce la quantità di polvere e di detriti succhiati all'interno della macchina.

ATTENZIONE

- Controllare che il pezzo da lavorare sia sostenuto bene.
- Assicurarsi che le aperture di ventilazione siano libere quando si lavora in condizioni polverose. Se fosse necessario eliminare la polvere, prima scollegare l'utensile dalla presa di corrente (usare oggetti non metallici) ed evitare di danneggiare le parti interne.
- Assicurarsi che le scintille prodotte dall'uso non creino pericoli, come colpire persone o dare fuoco a sostanze infiammabili.
- Usare sempre occhiali di sicurezza e protettori per le orecchie, usare altro abbigliamento di protezione come guanti, grembiule e casco come necessario.
- Usare sempre protezione per gli occhi e le orecchie. Altro abbigliamento di protezione come maschera antipolvere, guanti, casco e grembiule deve essere indossato quando necessario. In caso di dubbi, indossare l'abbigliamento protettivo.
- Quando la macchina non è usata è necessario staccare la spina dalla presa.

MONTAGGIO E RIMOZIONE DELLA MOLA (Fig. 2)

ATTENZIONE: Assicurarsi di spegnere (OFF) e di scollegare la spina del cavo dalla presa di corrente per evitare rischi.

1. Montaggio (Fig. 2)

- (1) Capovolgere la smerigliatrice angolare in modo che l'asse sia rivolto in alto.
- (2) Allineare la parte piatta trasversale della rondella ruota con la parte intaccata dell'asse e unire le due parti.
- (3) Inserire la sporgenza della ruota centrale incassata nella rondella ruota.
- (4) Avvitare il dado ruota sull'asse.
- (5) Premendo il pulsante con una mano, bloccare l'asse facendo girare la ruota centrale incassata lentamente con l'altra mano. Serrare il dado ruota usando la chiave in dotazione come mostrato in Fig. 2.

APPLICAZIONE PRATICHE DELLA MOLATRICE

1. Pressione da esercitare

Per prolungare la vita dell'utensile e assicurare un lavoro di rifinitura di prima qualità, è importante che la macchina non sia sovraccaricata esercitando troppa pressione. In moltissimi casi il solo peso della macchina è sufficiente per una efficace molatura. Una pressione troppo forte porta ad una riduzione della velocità di rotazione, ad una minore rifinitura di superfici ad un sovraccarico che potrebbe ridurre la vita della macchina.

2. Rimozione

Seguire all'inverso il procedimento suddetto.

ATTENZIONE

- Controllare che la mola sia montata saldamente.
- Controllare che la tast di blocco sia libera, spingendola due o tre volte prima di accendere l'utensile a motore.

MANUTENZIONE E CONTROLLI**1. Controllo della mola**

Assicurarsi che la mola sia priva di incrinature e di difetti di superficie.

2. Controllo delle viti di tenuta

Controllare regolarmente tutte le viti di tenuta e assicurarsi che siano esclusivamente serrate. Nel caso che una di queste viti dovesse allentarsi riserrarla immediatamente. Se si non ottiene di farlo, si può causare un grave incidente.

3. Controllo delle spazzole di carbone (Fig. 4)

Il motore impiega spazzole di carbone che sono materiali di consumo. Poiché una spazzola di carbone troppo larga può creare fastidi al motore, sostituire la spazzola con una dello stesso numero indicato nella figura quando essa è logora fino al limite del regolamento e quasi.

Tenere inoltre sempre pulite le spazzole di carbone e fare in modo che esse scorrano liberamente nell'interno del portaspazzola.

4. Sostituzione di una spazzola di carbone (Fig. 5)

<Disassemblaggio>

- (1) Allentare le viti auto filettanti D4 che chiude il coperchio posteriore e togliere il coperchio.
- (2) Usare la chiave maschia esagonale ausiliaria o un piccolo cacciavite per tirare in fuori l'estremità della molla che è tenuta ferma della spazzola di carbone. Rimuovere l'estremità della molla verso il fuori del contenitore della spazzola.
- (3) Rimuovere l'estremità delle treccia sulla spazzola a carbone dalla sezione terminale del contenitore della spazzola e quindi rmuovere la spazzola a carbone dal contenitore della spazzola.

<Assemblaggio>

- (1) Inserire l'estremità della treccia della spazzola a carbone nella sezione terminale del contenitore della spazzola.
- (2) Inserire la spazzola carbone nel suo contenitore.
- (3) Usare una chiave maschia esagonale ausiliaria o un piccolo cacciavite per fare ritornare l'estremità della molla della spazzola a carbone.
- (4) Chiudere il coperchio posteriore e stringere le viti auto filettanti.

5. Manutenzione del motore

L'avvolgimento del motore il vero e proprio "cuore" degli attezzi elettrici. Fare attenzione a non danneggiare l'avvolgimento e/o non bagnarlo con olio o acqua.

6. Lista dei pezzi di ricambio

- A: N. voce
- B: N. codice
- C: N. uso
- D: Note

CAUTELE

Riparazioni, modifiche e ispezioni di utensili elettrici Hitachi devono essere eseguite da un centro assistenza Hitachi autorizzato.

Questa lista dei pezzi torna utile se viene presentata con l'utensile al centro assistenza Hitachi autorizzato quando si richiedono riparazioni o altri interventi di manutenzione.

Nell'uso e nella manutenzione degli utensili elettrici devono essere osservate le normative di sicurezza e i criteri prescritti in ciascun paese.

MODIFICHE

Gli utensili elettrici Hitachi vengono continuamente migliorati e modificati per includere le più recenti innovazioni tecnologiche.

Di conseguenza, alcuni pezzi (p.es. numero di codice e/o design) possono essere modificati senza preavviso.

GARANZIA

Garantiamo gli Utensili Elettrici Hitachi in conformità alle specifiche normative imposte dalla legge e dai paesi. Questa garanzia non copre difetti o danni dovuti a uso erraneo, abuso o normale usura. In caso di lamentele, si prega di inviare l'Utensile Elettrico, non smontato, insieme al CERTIFICATO DI GARANZIA che si trova al termine di queste Istruzioni per l'uso, ad un Centro di Assistenza Autorizzato Hitachi.

NOTA

A causa del continuo programma di ricerca e sviluppo della HITACHI, le caratteristiche riportate in questo foglio sono soggette a cambiamenti senza preventiva comunicazione.

Informazioni riguardanti i rumori trasmessi dall'aria e le vibrazioni

I valori misurati sono stati determinati in conformità a EN60745 e descritti in conformità alla normativa ISO 4871.

Livello misurato di potenza sonora pesato A: 97 dB (A)

Livello misurato di pressione sonora pesato A: 86 dB (A)

KpA incertezza: 3 dB (A)

Indossare protezioni per le orecchie.

Il valore efficace pesato tipico dell'accelerazione è di 4,0 m/s².

Utilizzando la leva laterale con ammortizzazione delle vibrazioni, la vibrazione mano-braccio dell'elettrotensile utilizzato corrisponde di solito ad un valore minore di 2,5 m/s².

ALGEMENE VEILIGHEIDSWAARSCHUWINGEN VOOR ELEKTRISCH GEREEDSCHAP

WAARSCHUWING

Lees alle waarschuwingen en instructies aandachtig door. Nalating om de waarschuwingen en instructies op te volgen kan in een elektrische schok, brand en/of ernstig letsel resulteren.

Bewaar alle waarschuwingen en aanwijzingen voor eventuele naslag in de toekomst.

De term "elektrisch gereedschap" heeft zowel betrekking op elektrisch gereedschap dat via de netvoeding van stroom wordt voorzien als gereedschap dat via een accu (snoerloos) van stroom wordt voorzien.

1) Veiligheid van de werkplek

- Zorg voor een schone en goed verlichte werkplek.**
Een rommelige of donkere werkplek verhoogt de kans op ongelukken.
- Gebruik het elektrisch gereedschap niet in een omgeving met ontvlambare vloeistoffen, gassen of stof.**
Elektrisch gereedschap kan vonken afgeven. Deze vonkjes kunnen stofdeeltjes of gassen doen ontbranden.
- Houd kinderen en andere toeschouwers tijdens het gebruik van elektrische gereedschap uit de buurt.**
Afleidingen kunnen gevaarlijk zijn.

2) Elektrische veiligheid

- De stekker op het elektrische gereedschap moet geschikt zijn voor aansluiting op de wandcontactdoos.**
De stekker mag op geen enkele manier gemodificeerd worden. Gebruik geen verloopstekker met geaard elektrisch gereedschap.
Deugdelijke stekkers en geschikte wandcontactdozen verminderen het risico op een elektrische schok.
- Vermijd lichamelijk contact met geaarde oppervlakken zoals leidingen, radiatoren, fornuizen en koelkasten.**
Wanneer uw lichaam in contact staat met geaarde oppervlakken loopt u een groter risico op een elektrische schok.
- Stel het elektrisch gereedschap niet bloot aan regen of vochtige omstandigheden.**
Het risico op een elektrische schok wordt vergroot wanneer er water in het elektrisch gereedschap terechtkomt.
- Behandel het snoer voorzichtig. Draag het gereedschap nooit door dit bij het snoer vast te houden. Trek niet aan het snoer wanneer u de stekker uit het stopcontact wilt halen.**
Houd het snoer uit de buurt van warmtebronnen, olie, scherpe randen of bewegende onderdelen.
Een beschadigd of verward snoer verhoogt het risico op een elektrische schok.
- Gebruik buitenshuis een verlengsnoer dat specifiek geschikt is voor het gebruik buiten.**
Het gebruik van een snoer dat specifiek geschikt is voor gebruik buitenshuis vermindert het risico op een elektrische schok.
- Als het elektrisch gereedschap in een vochtige omgeving gebruikt moet worden, dient een voeding met RCD (reststroom-apparaat) beveiliging te worden gebruikt.**
Gebruik van een RCD vermindert de kans op een elektrische schok.

3) Persoonlijke veiligheid

- Blijf waakzaam, let voortdurend op uw werk en gebruik uw gezond verstand wanneer u elektrisch gereedschap gebruikt.**
Gebruik geen elektrisch gereedschap wanneer u oebent of onder invloed van drugs, alcohol of medicijnen.

Eén moment van onoplettendheid kan in ernstig lichamelijk letsel resulteren.

- Gebruik persoonlijke beschermingsmiddelen. Draag altijd oogbescherming.**
Beschermingsmiddelen zoals stofmaskers, niet-glijdende veiligheidsschoenen, een helm of oorbescherming verminderd het risico op lichamelijk letsel.
 - Voorkom dat het gereedschap per ongeluk kan starten. Controleer of de schakelaar in de uit-stand staat voordat u de voeding en/of de accu aansluit, het gereedschap oppakt of gaat dragen.**
Zorg ervoor dat u tijdens het verplaatsen van het elektrisch gereedschap uw vingers uit de buurt van de schakelaar houdt en sluit de stroombron niet aan terwijl de schakelaar op aan staat om ongelukken te vermijden.
 - Verwijder sleutels en moersleutels uit het gereedschap voordat u het elektrisch gereedschap aanzet.**
Een (moer-)sleutel die op een bewegend onderdeel van het elektrisch gereedschap bevestigd is kan in lichamelijk letsel resulteren.
 - Reik niet te ver. Zorg ervoor dat u te allen tijde stevig staat en uw evenwicht behoudt.**
Op deze manier heeft u tijdens een onverwachte situatie meer controle over het elektrisch gereedschap.
 - Draag geen loszittende kleding of sieraden. Houd uw haar, kleding en handschoenen uit de buurt van bewegende onderdelen.**
Loszittende kleding, sieraden en lang haar kunnen in de bewegende onderdelen verstrikt raken.
 - Indien het elektrisch gereedschap van een aansluiting voor stofafzuiging is voorzien dan dient u ervoor te zorgen dat de stofafzuiging aangesloten en op de juiste manier gebruikt wordt.**
Het gebruik van stofafzuiging vermindert eventuele stofgerelateerde risico's.
- #### 4) Bediening en onderhoud van elektrisch gereedschap
- Het elektrisch gereedschap mag niet geforceerd worden. Gebruik het juiste gereedschap voor het karwei.**
U kunt de klus beter en veiliger uitvoeren wanneer u het juiste elektrische gereedschap gebruikt.
 - Gebruik het elektrisch gereedschap niet als de schakelaar niet goed werkt.**
Elektrisch gereedschap dat niet via de schakelaar bediend kan worden is gevaarlijk en moet onmiddellijk gerepareerd worden.
 - Haal de stekker uit het stopcontact voordat u de voeding en/of de accu van het elektrisch gereedschap losmaakt, afstellingen verricht, accessoires verwisselt of voordat u het elektrisch gereedschap opbergt.**
Dergelijke preventieve veiligheidsmaatregelen verminderen het risico dat het elektrisch gereedschap per ongeluk opstart.
 - Berg elektrisch gereedschap buiten het bereik van kinderen op en sta niet toe dat personen die niet bekend zijn met het juiste gebruik van het gereedschap of deze voorschriften dit elektrisch gereedschap gebruiken.**
Elektrisch gereedschap is gevaarlijk in onbevoegde handen.
 - Het elektrisch gereedschap moet regelmatig onderhouden worden. Controleer het gereedschap op een foutieve uitlijning, vastgelopen of defecte bewegende onderdelen en andere problemen die van invloed zijn op de juiste werking van het gereedschap.**
Indien het gereedschap defect of beschadigd is moet het gerepareerd worden voordat u het gereedschap opnieuw gebruikt.

Slecht onderhouden elektrisch gereedschap is verantwoordelijk voor een groot aantal doe-het-zelf ongelukken.

- f) **Houd snijwerktuigen scherp en schoon.**
Goed onderhouden snijwerktuigen met scherpe snijranden lopen minder snel vast en zijn gemakkelijker in het gebruik.
- g) **Elektrisch gereedschap, toebehoren, bits enz. moeten in overeenstemming met deze instructies worden gebruikt waarbij de werkomstandigheden en het werk in overweging moeten worden genomen.**
Gebruik van het elektrisch gereedschap voor andere doeleinden dan waarvoor het is bedoelt, kan resulteren in een gevaarlijke situatie.

5) Onderhoudsbeurt

- a) **Het gereedschap mag uitsluitend door bevoegd onderhoudspersoneel worden onderhouden die authentieke onderdelen gebruikt.**
Hierdoor kunt u erop aan dat de veiligheid van het elektrisch gereedschap behouden blijft.

VOORZORGMAATREGELEN

Houd kinderen en kwetsbare personen op een afstand.
Het gereedschap moet na gebruik buiten het bereik van kinderen en andere kwetsbare personen worden opgeborgen.

ALGEMENE VEILIGHEIDSINSTRUCTIES VOOR SLIJPEN OF DOORSLIJPEN

- a) **Dit elektrisch gereedschap is bedoeld voor gebruik als een slijp- of doorslijpmachine. Lees alle veiligheidsinstructies, waarschuwingen, illustraties en specificaties die bij dit elektrisch gereedschap worden geleverd.**
Niet opvolgen van alle onderstaande instructies kan elektrische schokken, brand en/of ernstig letsel veroorzaken.
- b) **Gebruik van dit elektrisch gereedschap voor afschuren, staalborstelen of polijsten wordt niet aanbevolen.**
Gebruik van dit elektrisch gereedschap voor doeleinden waarvoor dit niet geschikt is kan gevaar opleveren en lichamelijk letsel veroorzaken.
- c) **Gebruik geen toebehoren die niet specifiek ontworpen en aanbevolen zijn door de fabrikant van het gereedschap.**
Enkel het feit dat het toebehoren aan uw elektrisch gereedschap bevestigd kan worden betekent niet dat dit veilig gebruikt kan worden.
- d) **De nominale snelheid van het toebehoren moet tenminste gelijk zijn aan de maximum snelheid die op het elektrisch gereedschap staat aangegeven.**
Toebehoren die sneller draaien dan hun nominale snelheid kunnen stuk draaien en uit elkaar vliegen.
- e) **De buitendiameter en de dikte van uw toebehoren moet binnen de nominale capaciteit van uw elektrisch gereedschap vallen.**
Toebehoren van een verkeerde maat kunnen niet voldoende beveiligd of onder controle gehouden worden.
- f) **De opsteekmaat van wielen, flenzen, steunplaten of andere toebehoren moeten correct passen op de as van het elektrisch gereedschap.**
Toebehoren met opsteekgaten die niet overeenkomen met het montagegedeelte van het elektrisch gereedschap zullen uit balans raken, overmatig trillen en verlies van controle veroorzaken.
- g) **Gebruik geen beschadigde toebehoren. Inspecteer voor elk gebruik het toebehoren zoals slijpwielen op afgebroken stukjes en barsten, de steunplaat op barsten, scheuren of buitengewone slijtage, de draadborstel op loszittende of gebroken draden. Als het elektrisch gereedschap is komen te vallen, dit inspecteren op beschadiging of een onbeschadigd toebehoren monteren. Plaats na het inspecteren en monteren van een toebehoren uzelf en omstanders uit de buurt van het vlak van het draaiende toebehoren en laat het elektrisch gereedschap gedurende één minuut onbelast op maximum snelheid draaien.**
Normaal zullen beschadigde toebehoren tijdens deze testperiode stuk gaan.
- h) **Draag beschermende uitrusting. Gebruik afhankelijk van de toepassing gezichtsbescherming, oogbescherming of een veiligheidsbril. Draag al naar gelang de omstandigheden een stofmasker, gehoorbescherming, handschoenen en een werkschoot dat slijpsel of kleine materiaaldeeltjes kan tegenhouden.**
De oogbescherming moet rondvliegende deeltjes die door diverse werkzaamheden worden geproduceerd kunnen tegenhouden. Het stofmasker of respirator moet deeltjes die door uw werkzaamheden geproduceerd worden kunnen filteren. Langdurige blootstelling aan geluid met hoge intensiteit kan tot gehoorverlies leiden.
- i) **Houd omstanders op veilige afstand van de werkplek. Alle personen die de werkplek betreden moeten veiligheidsuitrusting dragen.**
Materiaalfragmenten of een defect geraakt toebehoren kunnen wegspringen en letsel veroorzaken buiten de onmiddellijke omgeving van de werkplek.
- j) **Houd het elektrisch gereedschap vast bij de geïsoleerde handgrepen tijdens het uitvoeren van een karwei waarbij het snijtoebehoren in contact kan komen met verborgen bedrading of het eigen snoer.**
Wanneer een snijtoebehoren in aanraking komt met een kabel die onder spanning staat, kunnen de blootliggende metalen delen van het elektrisch gereedschap onder spanning komen en de operator een elektrische schok toebragen.
- k) **Plaats het snoer uit de buurt van het draaiende toebehoren.**
Als u de controle verliest, kan het snoer doorgesneden of verstrikt raken en kan uw hand of arm in het draaiende toebehoren getrokken worden.
- l) **Leg het elektrisch gereedschap nooit neer totdat het toebehoren volledig tot stilstand is gekomen. Het draaiende toebehoren kan zich in het oppervlak vastzetten zodat u de controle over het elektrisch gereedschap verliest.**
- m) **Laat het elektrisch gereedschap niet draaien wanneer u dit naast u draagt.**
Wanneer het draaiende toebehoren per ongeluk in contact komt met uw kleding kan dit daarin verstrikt raken en kan het toebehoren in uw lichaam worden getrokken.

- n) **Reinig regelmatig de ventilatieopeningen van het elektrisch gereedschap.**
De ventilator van de motor trekt stof in de behuizing en een overmatige opeenhoping van metaalpoeder kan gevaar voor elektrische schokken opleveren.
- o) **Gebruik het elektrisch gereedschap niet in de buurt van brandbare materialen.**
Deze materialen kunnen door vonken tot ontbranding komen.
- p) **Gebruik geen toebehoren waarvoor een vloeibaar koelmiddel vereist is.**
Gebruik van water of overig vloeibaar koelmiddel kan elektrocutie of schok tot gevolg hebben.

TERUGSLAG EN VERBAND HOUDENDE WAARSCHUWINGEN

Terugslag is een plotselinge reactie van een draaiend wiel, steunplaat, borstel of ander toebehoren dat klemgeraakt of vastgelopen is. Klemraken of vastlopen veroorzaakt snel afslaan van het draaiende toebehoren dat daardoor het elektrisch gereedschap bij het punt van klemraken eigenmachtig in de richting forceert tegenovergesteld aan de draairichting van het toebehoren.

Als bijvoorbeeld een slijpwielt vastgelopen of klemgeraakt is in het werkstuk, kan de rand van het wiel dat in het klempunt zit zich gaan vastzetten in het materiaaloppervlak waardoor het wiel omhoog kan springen of terugslaan. Het wiel kan in de richting van de operator of van deze vandaan springen, afhankelijk van de draairichting van het wiel op het punt van klemraken. Slijpwielen kunnen onder deze omstandigheden ook breken.

Terugslag is het resultaat van verkeerd gebruik van het elektrisch gereedschap en/of verkeerde bedieningsprocedures of omstandigheden en kan worden voorkomen door het nemen van de juiste voorzorgsmaatregelen zoals hieronder aangegeven.

- a) **Houd het elektrische gereedschap stevig in uw greep en houd uw lichaam en arm in een positie waarbij terugslagkrachten opgevangen kunnen worden. Gebruik altijd de extra handgreep, indien voorzien, voor maximale controle over terugslag of reactiekoppel bij het opstarten.**
De operator kan reactiekoppel of terugslagkrachten onder controle houden als de juiste voorzorgsmaatregelen worden genomen.
- b) **Plaats uw hand nooit in de buurt van het draaiende toebehoren.**
Het toebehoren kan over uw hand terugslaan.
- c) **Breng uw lichaam niet in een positie op een plaats waar het elektrisch gereedschap in het geval van terugslag naar toe kan bewegen.**
Terugslag forceert het gereedschap in een richting tegenovergesteld aan de beweging van het wiel bij het punt van vastlopen.
- d) **Wees bijzonder voorzichtig bij het bewerken van hoeken, scherpe randen, enz. Voorkom dat het toebehoren terugspringt en vastloopt.**
Hoeken, scherpe randen of terugsprongen hebben de neiging het draaiende toebehoren te laten vastlopen en kan verlies van controle of terugslag veroorzaken.

- e) **Bevestig geen zaagblad voor houtsnijwerk of een getand zaagblad.**
Dergelijke bladen veroorzaken vaak terugslag en verlies van controle.

VEILIGHEIDSINSTRUCTIES SPECIFIEK VOOR SLIJP- EN DOORSLIJPWERKZAAMHEDEN

- a) **Gebruik uitsluitend typen wielen die aanbevolen zijn voor uw elektrisch gereedschap en de specifieke beveiliging die bestemd is voor het gekozen wiel.**
Wielen waarvoor het elektrisch gereedschap niet geschikt is kunnen niet voldoende beveiligd worden en zijn onveilig.
- b) **De beveiliging moet stevig bevestigd worden aan het elektrisch gereedschap en in positie gebracht worden voor maximale veiligheid, zodat een zo klein mogelijk gedeelte van het wiel blootligt in de richting van de operator.**
De beveiliging helpt de operator te beschermen tegen afgebroken wielfragmenten en het per ongeluk in contact komen met het wiel.
- c) **Wielen mogen enkel gebruikt worden voor de aanbevolen toepassingen. Bijvoorbeeld: niet slijpen met de zijkant van een doorslijpwielt.**
Doorslijpwielen zijn bedoeld voor slijpen met de buitenste rand; als er zijdelings kracht op deze wielen wordt uitgeoefend kunnen deze breken.
- d) **Gebruik altijd onbeschadigde wielflenzen die de juiste maat en vorm hebben voor het door u gekozen wiel.**
Juiste wielflenzen ondersteunen het wiel en verminderen daardoor de kans op het stuk gaan van een wiel. Flenzen voor doorslijpwielen kunnen afwijken van die voor slijpwielen.
- e) **Gebruik geen versleten wielen van groter elektrisch gereedschap.**
Een wiel dat bedoeld is voor een groter elektrisch gereedschap is niet geschikt voor de hogere snelheid van een kleiner gereedschap en kan uit elkaar springen.

AANVULLENDE VEILIGHEIDSINSTRUCTIES SPECIFIEK VOOR DOORSLIJPWERKZAAMHEDEN

- a) **Laat het doorslijpwielt niet vastlopen en oefen er geen overmatige druk op uit. Probeer geen overmatige diepe insnijding te maken.**
Teveel druk op het wiel verhoogt de belasting en de kans op verdraaiing of vastlopen van het wiel in de snede en mogelijkheid van terugslag en stuk gaan van het wiel.
- b) **Breng uw lichaam niet in een positie in lijn met en achter het draaiende wiel.**
Wanneer het wiel, op het punt van gebruik, van uw lichaam vandaan beweegt, kan door een mogelijke terugslag het draaiende wiel en het elektrisch gereedschap direct naar u toe geforceerd worden.
- c) **Wanneer het wiel is klemgeraakt of wanneer het snijden om een andere reden wordt onderbroken, het elektrisch gereedschap uitschakelen en het elektrisch gereedschap op de plaats vasthouden totdat het wiel volledig gestopt is. Probeer nooit het doorslijpwielt uit de snede te halen terwijl het wiel in beweging is omdat anders de kans bestaat op terugslag.**

Onderzoek de oorzaak van het klemraken van het wiel en neem passende maatregelen om de oorzaak te verhelpen.

- d) **Start het snijden niet opnieuw in het werkstuk. Laat het wiel eerst op volle snelheid draaien en breng dit opnieuw voorzichtig in de snede.**

Het wiel kan klemraken, wegspringen of terugslaan als het elektrisch gereedschap opnieuw in het werkstuk gestart wordt.

- e) **Ondersteun panelen of een groot werkstuk om klemraken en terugslag van het wiel te voorkomen.**

Grote werkstukken kunnen doorzakken onder hun eigen gewicht. Plaats steunen onder het werkstuk bij de lijn waar gesneden wordt en bij de rand van het werkstuk aan beide kanten van het wiel.

- f) **Wees extra voorzichtig bij het maken van een zakvormige insnijding in bestaande muren of op onbekende plaatsen.**

Het uitstekende wiel kan gas- of waterleidingen, elektrische bedrading of andere voorwerpen raken waardoor terugslag optreedt.

- Controleer dat aangehaakte wielen en punten in overeenstemming met de instructies van de fabrikant worden gemonteerd;
- Zorg dat u, indien meegeleverd en nodig, vloeiblokken gebruikt met het aangehechte schuurproduct;
- Controleer vóór gebruik dat het schuurproduct correct is aangehaakt en vastgemaakt en zet het apparaat zonder last en in veilige positie aan voor een periode van 30 seconden. Zet het apparaat onmiddellijk uit bij heftige vibraties of andere defecten. Controleer het apparaat in het geval van defecten en zoek naar de oorzaak;
- Indien het apparaat wordt geleverd met een afscherming dient u deze te allen tijde te gebruiken;
- Gebruik geen losse adapters of hulsen om schuurwielen met te grote gaten te kunnen plaatsen;
- Controleer bij het gebruik van een van binnen bedraad wiel dat het draad lang genoeg is voor de spillengte;
- Zorg dat het werkstuk goed wordt ondersteund;
- Gebruik geen afgezaagde wielen voor zijlijpen;
- Zorg dat eventuele vonken niet voor schade kunnen zorgen, bijvoorbeeld door tegen mensen op te spatten, of door ontvlambare substanties te ontsteken;
- Zorg dat de ventilatiegaten niet worden geblokkeerd bij gebruik onder stoffige omstandigheden. Indien het noodzakelijk is om het gereedschap schoon te maken, haal dan eerst de stekker uit het stopcontact (gebruik geen objecten van metaal) en voorkom beschadiging van interne onderdelen;
- Draag altijd oog- en oorbescherming. Ook andere beschermende uitrusting zoals stofmasker, handschoenen, helm en schort dient te worden gedragen;
- Houd het wiel, dat ook na uitschakeling nog even blijft draaien, goed in de gaten.

ALGEMENE VEILIGHEIDSINSTRUCTIES VOOR DE SLIJPMACHINE

- Controleer dat de op het wiel aangegeven snelheid gelijk aan of groter dan de nominale snelheid van de slijpmachine is;
- Controleer dat de afmetingen van het wiel compatibel zijn met de slijpmachine;
- Schuurwielen dienen, overeenkomstig met de instructies van de fabrikant, voorzichtig te worden gebruikt en opgeslagen;
- Controleer een slijpwiél vóór gebruik – gebruik geen afgesplinterde, gebroken of anderszins defecte producten;

TECHNISCHE GEGEVENS

Model	G12SA3		G13SB3	
Voltage (verschillend van gebied tot gebied)*	(110V, 230V, 240V) ∩			
Opgenomen vermogen*	1300 W			
Toerental onbelast*	11000 min ⁻¹			
Schuurschijf	buitendiameter × binnendiameter	115 × 22 mm	125 × 22 mm	
	omtrekssnelheid	80 m/s		
Gewicht (alleen hoofdeenheid)		1,9 kg		

* Controleer het naamplaatje op het apparaat daar het apparaat afhankelijk van het verkocht wordt gewijzigd kan worden.

STANDAARD TOEBEHOREN

- (1) Schuurschijf 1
 (2) Sleutel 1
 (3) Handgreep 1

De standaard toebehoren kunnen zonder aankondiging op ieder moment worden veranderd.

TOEPASSINGEN

- Verwijdering van gietresten en eindafwerking van verschillende staalkwaliteiten, brons- en aluminiummaterialen en gietdelen.
- Het schuren van gelaste stukken of van door brand-snijden vervaardigde stukken.
- Het schuren van kunstst, lei, baksteen, marmer, etc.
- Snijden van synthetisch beton, natuursteen, baksteen, marmer en dergelijke materialen.

VOOR BEGIN VAN WERK

1. Netspanning

Kontroleren of de netspanning overeenkomt met de opgave op het naamplaatje.

2. Netschakelaar

Kontroleren of de netschakelaar op "UIT" staat. Wanneer de stekker op het net aangesloten is, terwijl de schakelaar op "AAN" staat, begint het gereedschap onmiddellijk te draaien, hetwelk ernstig gevaar betekent.

3. Verlengsnoer

Wanneer het werkterrein niet in de buurt van een stopcontact ligt, dan moet men gebruik maken van een verlengsnoer, dat voldoende dwarsprofiel en voldoende nominaal vermogen heeft. Het verlengsnoer moet zo kort mogelijk gehouden worden.

4. Het aanbrengen en instellen van de beschermkap

De beschermkap is een beveiligingsinrichting, waardoor schade verhinderd moet worden, wanneer de schuurschijf tijdens het bedrijf zou breken. Er moet op gelet worden, dat de kap juist aangebracht en bevestigd is, voordat men met het schuren begint. Door het licht losdraaien van de vergrendelingsschroef kan de beschermkap gedraaid en in elke gewenste hoek ingesteld worden om een maximaal prestatievermogen te bereiken. Zekergesteld moet worden, dat de vergrendelingsschroef na het instellen van de beschermkap juist vastgedraaid wordt.

[In geval van een beschermkap zonder gereedschap] (Afb. 3)

- Zet het slijpwiël tegen de pakking aan.
 - Draai de M5 schroef aan om de beschermkap vast te zetten terwijl de hendel in de gasloten stand staat.
 - Stel de beschermkap in terwijl de hendel los staat. (Draai de M5 schroef los en maak de instelling opnieuw als de beschermkap niet soepel draait.)
 - Als u na het maken van de instelling met de machine wilt gaan werken, let dan op dat u eerst de hendel in de gesloten stand zet.
 - Smeer het glijdende deel van het instelstuk (B) en de hendel als de hendel niet soepel beweegt.
5. Controleer of gemonteerde schijven en andere onderdelen in overeenstemming met de aanwijzingen van de fabrikant zijn bevestigd. Verder moet er op gelet worden, dat de te gebruiken schuurschijf de juiste uitvoering is en zonder scheurtjes en oppervlaktefoutjes is. Tevens moet er op gelet worden, dat de schuurschijf juist gemonteerd en de moer van de schuurschijf vast aangedraaid is. Zie het punt "MONTEREN EN DEMONTEREN VAN DE SCHUURSCHIJF".
- Zorg ervoor dat er een vloeiblok gebruikt wordt als dit wordt meegeleverd met verlijmd schuurproducten en gebruik daarvan vereist is. Gebruik geen losse vulringen of adapters om slijpschijven met te grote middengaten te gebruiken. Voor gereedschap dat bedoeld is voor montage van schijven met schroefdraad dient u ervoor te zorgen dat de schroefdraad in de schijf lang genoeg is voor de lengte van de as.
- Gebruik de oppervlakte van een slijpschijf niet om te schuren.

6. Het uitvoeren van een proefdraaiing

Zorg ervoor dat het schuurproduct op de juiste manier gemonteerd en vastgezet is voor gebruik, laat het gereedschap zonder belasting 30 seconden lang op een veilige plek proefdraaien en stop onmiddellijk als u trillingen voelt of andere problemen bemerkt. In een dergelijk geval dient u de machine te inspecteren om de oorzaak op te sporen.

7. Controleer de blokkeerstift

Controleer of de blokkeerstift los is door er een paar keer op te drukken voor u het elektrisch gereedschap aan zet (Zie Afb. 2).

8. Bevestigen van de handgreep

Schroef de handgreep in de behuizing vast.

PRAKTISCH SCHUURWERK

1. Druk

Voor de levensduur van de machine en voor prima werk is het belangrijk, dat de machine niet door te sterke druk overbelast wordt. Bij het meeste gebruik is het gewicht van de machine voor doeltreffend schuren voldoende. Te sterke druk leidt tot een verminderd toerental, slecht afgewerkt oppervlak en een overbelasting die de levensduur van de machine zou kunnen verminderen.

2. Schuurhoek

Niet de totale oppervlakte van de schuurschijf op het te schuren materiaal leggen. De machine moet in een hoek van 15° – 30° gehouden worden, zoals afgebeeld in Afb. 1, zodat de buitenkant van de schuurschijf het werkstuk in een optimale hoek aanraakt.

3. Opdat een nieuwe schuurschijf zich niet in het werkstuk graaft, moet met het begin van het schuurwerk zo uitgevoerd worden, dat de schuurmachine over het werkstuk naar degene, die de machine bedient, getrokken wordt (Afb. 1 richting B). Wanneer de voorkant van de schuurschijf desbetreffend afgeschuurd is, kan het schuren in beide richtingen uitgevoerd worden.

4. Veiligheidsmaatregelen onmiddellijk na beëindiging van het werk.

De schijf blijft draaien nadat het gereedschap is uitgeschakeld.

Na het uitschakelen mag de machine pas neergelegd worden, wanneer de schuurschijf volledig tot stilstand gekomen is. Afgezien van dat u hiermee ongelukken vermijdt, wordt door deze veiligheidsmaatregel tevens vermeden, dat stof en spaanders in de machinegezogen worden.

LET OP

- Controleer of het werkstuk goed ondersteund wordt.
- Zorg ervoor dat de ventilatie-openingen vrij blijven, vooral wanneer u onder stoffige omstandigheden moet werken. Als u stof moet verwijderen, dient u eerst de stekker van het gereedschap uit het stopcontact te halen (gebruik in geen geval metalen voorwerpen) en zorg ervoor dat u de onderdelen in het binnenwerk niet beschadigt.
- Zorg ervoor dat eventuele vonken geen gevaar kunnen opleveren, dus bijv. geen personen kunnen raken of brandbare materialen kunnen ontsteken.

- Draag altijd een veiligheidsbril en gehoorbescherming, gebruik indien nodig andere persoonlijke beschermingsmiddelen zoals handschoenen, schort of helm.
- Draag altijd oog- en gehoorbescherming. Andere beschermingsmiddelen, zoals een stofmasker, handschoenen, helm en schort moeten worden gebruikt indien nodig. Bij twijfel kunt u deze beschermingsmiddelen het beste gebruiken.
- Wanneer de machine niet gebruikt wordt, moet de stekker uit het stopcontact getrokken worden.

MONTEREN EN DEMONTEREN VAN DE SCHUURSCHIJF (Afb. 2)

VOORZICHTIG: Zorg ervoor dat de stroom is uitgeschakeld (OFF) en dat de stekker uit de stroom-aansluiting is getrokken. Dit om ernstige problemen te voorkomen.

1. Monteren (Afb. 2)

- (1) Keer de haakse slijpmachine ondersteboven zodat de as naar boven wijst.
- (2) Pas de onderlegging op de inkeping van de as en maak deze vast.
- (3) Pas het uitsteeksel van de schijf met het verlaagde midden op de onderlegging.
- (4) Schroef de schijfmoer op de as.
- (5) Druk met één hand de borgknop in en vergrendel de as door de schijf met het verlaagde midden langzaam met uw andere hand rond te draaien. Zet de schijfmoer vast met de meegeleverde sleutel, zoals u kunt zien op **Afb. 2**.

2. Demonteren

Het demonteren geschiedt in omgekeerde volgorde.

VOORZICHTIG

- Controleer of de schuurschijf stevig vastzit.
- Gekontroleerd moet worden of de drukknop losgemaakt is, door twee of drie keer voor het aanschakelen van het apparaat op de drukknop te drukken.

ONDERHOUD EN INSPECTIE

1. Controle van de schuurschijf

Er moet op gelet worden, dat de schuurschijf zonder scheurtjes en foutjes aan de oppervlakte is.

2. Inspectie van de bevestigingsschroef

Alle bevestigingsschroeven worden regelmatig geïnspecteerd en gecontroleerd of zij juist aangedraaid zijn. Wanneer één van de schroeven losraakt, dan moet deze onmiddellijk opnieuw aangedraaid worden. Gebeurt dat niet, dan kan dat tot aanzienlijke gevaren leiden.

3. Inspectie van de koolborstels (Afb. 4)

Bij de motor zijn koolborstels gebruikt, die onderhevig zijn aan slijtage. Buitengewoon versleten koolborstels leiden tot problemen bij de motor. Dientengevolge dienen de koolborstels vervangen te worden met borstels die hetzelfde nummer hebben als de afbeelding aantoont, wanneer de koolborstel versleten, of bijna versleten is. Bovendien moeten de koolborstels altijd schoon zijn en zich in vrij de borstelhouders bewegen kunnen.

4. Het wisselen van de koolborstel (Afb. 5)

<Demonteren>

- (1) Draai de zelftappende D4 schroef, die het achterdeksel op zijn plaats houdt, los en verwijder het achterdeksel.
- (2) Gebruik de bijgeleverde inbusleutel of een kleine schroevendraaier om de rand van de spiraalveer die de koolborstel tegen houdt op te wippen. Verwijder de haak van de veer naar de buitenkant van de koolborstelhouder.
- (3) Verwijder het gekrulde uiteinde van de koolborstel uit de bedradingsblok-groep (A) en verwijder van de koolborstel uit de koolborstelhouder.

<Monteren>

- (1) Steek het gekrulde uiteinde van de borstelverbindingsdraad in het aansluitgedeelte van de koolborstelhouder.
- (2) Plaats de koolborstel in de koolborstelhouder.
- (3) Gebruik de bijgeleverde inbusleutel of een kleine schroevendraaier om de rand van de spiraalveer weer op de bovenkant van de koolborstel aan te brengen.
- (4) Sluit het achterdeksel en draai tenslotte de zelftappende D4 schroef weer vast.

5. Onderhoud van de motor

De motorwikkeling is het "hart" van het elektrische gereedschap. Er moet daarom bijzonder zorgvuldig op gelet worden, dat de wikkeling niet beschadigd en/of met olie of water bevochtigd wordt.

6. Lijst vervangingsonderdelen

- A: Ond.nr.
B: Codenr.
C: Gebr.nr.
D: Opm.

LET OP

Reparatie, modificatie en inspectie van Hitachi elektrisch gereedschap dient te worden uitgevoerd door een erkend Hitachi Service-centrum.

Deze Onderdelenlijst komt van pas wanneer u deze samen met het gereedschap aanbiedt bij het erkende Hitachi Service-centrum wanneer u om reparatie of ander onderhoud verzoekt.

Bij gebruik en onderhoud van elektrisch gereedschap dienen de in het land waar u zich bevindt geldende veiligheidsregelgeving en veiligheidsstandaarden strikt te worden opgevolgd.

MODIFICATIES

Hitachi elektrisch gereedschap wordt voortdurend verbeterd en gewijzigd teneinde gebruik te kunnen maken van de nieuwste technische ontwikkelingen. Daarom is mogelijk dat sommige onderdelen (zoals codenummers en/of ontwerp) zonder voorafgaande kennisgeving gewijzigd worden.

GARANTIE

De garantie op het elektrisch gereedschap van Hitachi is in overeenstemming met de wettelijke/landspecifieke richtlijnen. Deze garantie dekt geen defecten of schade als gevolg van foutief gebruik, misbruik of normale slijtage. In geval van klachten verzoeken wij u het elektrisch gereedschap samen met het GARANTIECERTIFICAAT dat u achterin deze handleiding aantreft naar een erkend servicecentrum van Hitachi te sturen. Indien door de gebruiker de machine wordt gedemonteerd vervalt de aanspraak op garantie.

AANTEKENING

Op grond van het voortdurende research- en ontwikkelingsprogramma van HITACHI zijn veranderingen van de hierin genoemde technische opgaven voorbehouden.

Informatie betreffende luchtgeluid en trillingen

De gemeten waarden zijn verkregen overeenkomstig EN60745 en voldoen aan de eisen van ISO 4871.

Gemeten A-gewogen geluidsniveau: 97 dB (A)

Gemeten A-gewogen geluidsdrukniveau: 86 dB (A)

Onzekerheid KpA: 3 dB (A)

Draag gehoorbescherming.

Typische gewogen effectieve versnellingswaarde:
4,0 m/s².

Bij gebruik van de trillingdempende zijhandgreep zijn de hand/arm-trillingen van het gebruikte elektrische gereedschap typisch minder dan 2,5 m/s².

ADVERTENCIAS DE SEGURIDAD GENERAL DE LA HERRAMIENTA ELÉCTRICA

⚠ ADVERTENCIA

Lea todas las instrucciones y advertencias de seguridad. Si no se siguen las advertencias e instrucciones, podría producirse una descarga eléctrica, un incendio y/o daños graves.

Guarde todas las advertencias e instrucciones para futura referencia.

El término "herramienta eléctrica" en las advertencias hace referencia a la herramienta eléctrica que funciona con la red de suministro (con cable) o a la herramienta eléctrica que funciona con pilas (sin cable).

1) Seguridad del área de trabajo

- Mantenga la zona de trabajo limpia y bien iluminada.**
Las zonas desordenadas u oscuras pueden provocar accidentes.
- No utilice las herramientas eléctricas en entornos explosivos como, por ejemplo, en presencia de líquidos inflamables, gases o polvo.**
Las herramientas eléctricas crean chispas que pueden inflamar el polvo o los humos.
- Mantenga a los niños y transeúntes alejados cuando utilice una herramienta eléctrica.**
Las distracciones pueden hacer que pierda el control.

2) Seguridad eléctrica

- Los enchufes de las herramientas eléctricas tienen que ser adecuados a la toma de corriente.**
No modifique el enchufe.
No utilice enchufes adaptadores con herramientas eléctricas conectadas a tierra.
Si no se modifican los enchufes y se utilizan tomas de corriente adecuadas se reducirá el riesgo de descarga eléctrica.
- Evite el contacto corporal con superficies conectadas a tierra como tuberías, radiadores y frigoríficos.**
Hay mayor riesgo de descarga eléctrica si su cuerpo está en contacto con el suelo.
- No exponga las herramientas eléctricas a la lluvia o a la humedad.**
La entrada de agua en una herramienta eléctrica aumentará el riesgo de descarga eléctrica.
- No utilice el cable incorrectamente. No utilice el cable para transportar, tirar de la herramienta eléctrica o desenchufarla.**
Mantenga el cable alejado del calor, del aceite, de bordes afilados o piezas móviles.
Los cables dañados o enredados aumentan el riesgo de descarga eléctrica.
- Cuando utilice una herramienta eléctrica al aire libre, utilice un cable prolongador adecuado para utilizarse al aire libre.**
La utilización de un cable adecuado para usarse al aire libre reduce el riesgo de descarga eléctrica.
- Si no se puede evitar el uso de una herramienta eléctrica en un lugar húmedo, utilice un suministro protegido mediante un dispositivo de corriente residual (RCD).**
El uso de un RCD reduce el riesgo de descarga eléctrica.

3) Seguridad personal

- Esté atento, preste atención a lo que hace y utilice el sentido común cuando utilice una herramienta eléctrica.**
No utilice una herramienta eléctrica cuando esté cansado o esté bajo la influencia de drogas, alcohol o medicación.

La distracción momentánea cuando utiliza herramientas eléctricas puede dar lugar a importantes daños personales.

- Utilice un equipo de protección. Utilice siempre una protección ocular.**

El equipo de protección como máscara para el polvo, zapatos de seguridad antideslizantes, casco o protección para oídos utilizado para condiciones adecuadas reducirá los daños personales.

- Evite un inicio involuntario. Asegúrese de que el interruptor está en "off" antes de conectar la herramienta a una fuente de alimentación y/o batería, cogerla o transportarla.**

El transporte de herramientas eléctricas con el dedo en el interruptor o el encendido de herramientas eléctricas con el interruptor encendido puede provocar accidentes.

- Retire las llaves de ajuste antes de encender la herramienta eléctrica.**

Si se deja una llave en una pieza giratoria de la herramienta eléctrica podrían producirse daños personales.

- No se extralimite. Mantenga un equilibrio adecuado en todo momento.**

Esto permite un mayor control de la herramienta eléctrica en situaciones inesperadas.

- Vístase adecuadamente. No lleve prendas sueltas o joyas. Mantenga el pelo, la ropa y los guantes alejados de las piezas móviles.**

La ropa suelta, las joyas y el pelo largo pueden pillarse en las piezas móviles.

- Si se proporcionan dispositivos para la conexión de extracción de polvo e instalaciones de recogida, asegúrese de que están conectados y se utilizan adecuadamente.**

La utilización de un sistema de recogida de polvo puede reducir los riesgos relacionados con el polvo.

4) Utilización y mantenimiento de las herramientas eléctricas

- No fuerce la herramienta eléctrica. Utilice la herramienta eléctrica correcta para su aplicación.**

La herramienta eléctrica correcta trabajará mejor y de forma más segura si se utiliza a la velocidad para la que fue diseñada.

- No utilice la herramienta eléctrica si el interruptor no la enciende y apaga.**

Las herramientas eléctricas que no pueden controlarse con el interruptor son peligrosas y deben repararse.

- Desconecte el enchufe de la fuente eléctrica y/o la batería de la herramienta eléctrica antes de hacer ajustes, cambiar accesorios o almacenar herramientas eléctricas.**

Estas medidas de seguridad preventivas reducen el riesgo de que la herramienta eléctrica se ponga en marcha accidentalmente.

- Guarde las herramientas eléctricas que no se utilicen para que no las cojan los niños y no permita que utilicen las herramientas eléctricas personas no familiarizadas con las mismas o con estas instrucciones.**

Las herramientas eléctricas son peligrosas si son utilizadas por usuarios sin formación.

- Mantenimiento de las herramientas eléctricas. Compruebe si las piezas móviles están mal alineadas o unidas, si hay alguna pieza rota u otra condición que pudiera afectar al funcionamiento de las herramientas eléctricas.**

Si la herramienta eléctrica está dañada, llévela a reparar antes de utilizarla.

Se producen muchos accidentes por no realizar un mantenimiento correcto de las herramientas eléctricas.

- f) **Mantenga las herramientas de corte afiladas y limpias.**
Las herramientas de corte correctamente mantenidas con los bordes de corte afilados son más fáciles de controlar.
- g) **Utilice la herramienta eléctrica, los accesorios y las brocas de la herramienta, etc. de acuerdo con estas instrucciones, teniendo en cuenta las condiciones laborales y el trabajo que se va a realizar.**
La utilización de la herramienta eléctrica para operaciones diferentes a aquellas pretendidas podría dar lugar a una situación peligrosa.

5) Revisión

- a) **Lleve su herramienta a que la revise un experto cualificado que utilice sólo piezas de repuesto idénticas.**
Esto garantizará el mantenimiento de la seguridad de la herramienta eléctrica.

PRECAUCIÓN

Mantenga a los niños y a las personas enfermas alejadas.
Cuando no se utilicen, las herramientas deben almacenarse fuera del alcance de los niños y de las personas enfermas.

ADVERTENCIAS COMUNES DE SEGURIDAD PARA LAS OPERACIONES DE MOLIDO O CORTE ABRASIVO

- a) **Esta herramienta eléctrica está diseñada para utilizarse como amoladora o herramienta de corte. Lea todas las advertencias de seguridad, instrucciones, ilustraciones y especificaciones proporcionadas con esta herramienta.**
Si no se siguen todas las instrucciones indicadas a continuación, podría producirse una descarga eléctrica, un incendio y/o daños graves.
- b) **No se recomienda realizar operaciones como lijado, cepillado metálico o pulido con esta herramienta.**
Las operaciones para las que no se diseñó la herramienta eléctrica podrían producir un riesgo y causar daños personales.
- c) **No utilice accesorios que no estén diseñados y estén recomendados específicamente por el fabricante de la herramienta.**
El hecho de que el accesorio pueda acoplarse en la herramienta eléctrica no garantiza una operación segura.
- d) **La velocidad nominal del accesorio debe ser al menos igual a la velocidad máxima marcada en la herramienta eléctrica.**
Los accesorios que se utilizan con una velocidad superior a la indicada podrían romperse o descomponerse.
- e) **El diámetro externo y el grosor de su accesorio debe estar dentro de la clasificación de capacidad de su herramienta metálica.**
Los accesorios de tamaño incorrecto no pueden supervisarse o controlarse adecuadamente.
- f) **El tamaño de pérgola de las ruedas, bridas, almohadillas de respaldo u otros accesorios deben encajar correctamente en el eje de la herramienta metálica.**
Los accesorios con orificios de pérgola que no coincidan con la estructura de montaje de la herramienta eléctrica se desequilibrarán, vibrarán en exceso y pueden causar una pérdida de control.

- g) **No utilice un accesorio dañado. Antes de cada uso, inspeccione el accesorio, mirando si las ruedas abrasivas tienen grietas o roturas, las almohadillas de respaldo tienen grietas, rasgaduras o desgaste excesivo o el cepillo metálico está suelto o con el metal roto. Si se cae la herramienta eléctrica o el accesorio, inspeccione si está dañado o instale un accesorio sin dañar. Tras inspeccionar e instalar un accesorio, tanto usted como los viandantes deben alejarse del plano del accesorio giratorio y utilizar la herramienta eléctrica a máxima velocidad sin carga durante un minuto.**

Los accesorios dañados se romperán durante este periodo de prueba.

- h) **Utilice equipo protector personal. Dependiendo de la aplicación, utilice protector facial, gafas protectoras o gafas de seguridad. Si procede, utilice máscara para polvo, protectores auditivos, guantes y mono capaz de detener pequeños fragmentos abrasivos o piezas de trabajo.**

El protector ocular debe ser capaz de detener los desechos que salen desprendidos generados por las diferentes operaciones. La máscara para polvo o respirador debe ser capaz de filtrar partículas generadas por su operación. Una exposición prolongada a un ruido de intensidad elevada podría producir pérdida de audición.

- i) **Mantenga a los viandantes alejados del área de trabajo. Toda persona que entre en la zona de trabajo debe utilizar equipo de protección personal. Los fragmentos de un trabajo o un accesorio roto pueden salir despedidos y causar daños más allá del área de operación inmediata.**
- j) **Sujete la herramienta eléctrica sólo por las superficies de agarre aisladas cuando realice una operación en la que el accesorio de corte pueda entrar en contacto con el cableado oculto o su propio cable.**

El accesorio de corte que contacta con un cable "vivo" puede hacer que las partes metálicas expuestas de la herramienta eléctrica pasen a estar "vivas" y produzcan una descarga en el operario.

- k) **Coloque el cable cerca del accesorio giratorio.**
Si pierde el control, podría cortarse el cable o engancharse y la mano o brazo podrían entrar en el accesorio giratorio.
- l) **No coloque boca abajo la herramienta eléctrica hasta que el accesorio se haya parado completamente.**

El accesorio giratorio podría agarrar la superficie y descontrolar la herramienta eléctrica.

- m) **No ponga en marcha la herramienta eléctrica cuando la lleve al lado.**
Un contacto accidental con el accesorio giratorio podría enganchar la ropa y el accesorio podría herirle.

- n) **Limpie regularmente los conductos de aire de la herramienta eléctrica.**

El ventilador del motor sacará el polvo de dentro del alojamiento y la acumulación excesiva de metal en polvo podría producir peligros eléctricos.

- o) **No utilice la herramienta eléctrica cerca de materiales inflamables.**

Las chispas podrían quemar dichos materiales.

- p) **No utilice accesorios que requieran refrigerantes líquidos.**

Al utilizar agua u otros refrigerantes líquidos podría producirse una electrocución o descarga.

REBOTE Y ADVERTENCIAS RELACIONADAS

El rebote es una reacción repentina a una rueda giratoria, almohadilla de soporte, cepillo u otro accesorio pinchado o enganchado. El pinchazo o enganche causa una parada rápida del accesorio giratorio que, a su vez, hace que la herramienta eléctrica no controlada vaya en la dirección opuesta del giro del accesorio en el punto de atasco.

Por ejemplo, si una rueda abrasiva es enganchada o pinchada por la pieza de trabajo, el borde de la rueda que entra en el punto de pinchazo puede enterrarse en la superficie del material haciendo que la rueda se salga. La rueda puede saltar hacia el operario o salir despedida de este, dependiendo de la dirección del movimiento de la rueda en el punto de pinchazo. Las ruedas abrasivas también pueden romperse bajo estas condiciones.

El rebote es el resultado de un uso incorrecto y/o procedimientos o condiciones operativos incorrectos de la herramienta eléctrica y puede evitarse tomando las precauciones adecuadas indicadas a continuación.

- a) **Agarre la herramienta eléctrica firmemente y coloque el cuerpo y el brazo para que pueda resistirse a las fuerzas de retroceso. Utilice siempre una agarradera auxiliar, si se proporciona, para un control máximo sobre el rebote o reacción del par durante la puesta en marcha.**

El operario puede controlar las reacciones del par o las fuerzas de rebote, si se toman las precauciones adecuadas.

- b) **No coloque la mano cerca del accesorio giratorio.**

El accesorio puede rebotarse en la mano.

- c) **No coloque el cuerpo en la zona en la que la herramienta eléctrica se mueva si se produce un rebote.**

El rebote impulsará a la herramienta en dirección opuesta al movimiento de la rueda en el punto de enganche.

- d) **Tenga especial cuidado cuando trabaje con esquinas, bordes afilados, etc. Evite rebotar y enganchar el accesorio.**

Las esquinas, bordes afilados o el rebote tienden a enganchar el accesorio giratorio y causan la pérdida de control y rebote.

- e) **No coloque una cuchilla talladora de madera o cuchilla dentada en la sierra.**

Dichas cuchillas a menudo producen rebote y pérdida de control.

ADVERTENCIAS DE SEGURIDAD ESPECÍFICAS PARA LAS OPERACIONES DE MOLIDO Y CORTE ABRASIVO

- a) **Utilice sólo tipos de ruedas recomendados para su herramienta eléctrica y el protector específico diseñado para la rueda seleccionada.**

Las ruedas para las que no se diseñó la herramienta eléctrica no pueden protegerse adecuadamente y no son seguras.

- b) **La protección debe colocarse firmemente en el herramienta eléctrica y colocarse para máxima seguridad, de forma que se expone al operario la cantidad mínima de rueda.**

La protección ayuda a proteger al operario de los fragmentos de rueda rotos y del contacto accidental con la rueda.

- c) **Las ruedas deben utilizarse sólo para las aplicaciones recomendadas. Por ejemplo, no muela con el lado de la rueda de corte.**

Las ruedas de corte abrasivas están diseñadas para un molido periférico. Las fuerzas laterales aplicadas a estas ruedas pueden hacer que se rompan.

- d) **Utilice siempre bridas de ruedas sin dañar de tamaño y forma correcta para la rueda seleccionada.**

Las bridas de rueda adecuadas soportan la rueda, reduciendo la posibilidad de rotura de rueda. Las bridas para ruedas de corte pueden ser diferentes de las bridas de rueda de molido.

- e) **No utilice ruedas de herramientas eléctricas más grandes.**

La rueda diseñada para una herramienta eléctrica más grande no es adecuada para la velocidad superior de una herramienta inferior y podría estallar.

ADVERTENCIAS DE SEGURIDAD ADICIONALES PARA LAS OPERACIONES DE CORTE ABRASIVO

- a) **No "atasque" la rueda de corte o aplique una presión excesiva. No trate de realizar un corte demasiado profundo.**

Sobre tensionar la rueda hace que aumente la carga y la susceptibilidad a que se tuerza u obstruya la rueda en el corte y la posibilidad de rebote o rotura de la rueda.

- b) **No coloque el cuerpo alineado con o detrás de la rueda giratoria.**

Cuando la rueda, en el punto de operación, salga disparada del cuerpo, el posible rebote podría impulsar la rueda giratoria y la herramienta eléctrica directamente hacia usted.

- c) **Cuando la rueda se atasque o se interrumpa un corte por algún motivo, apague la herramienta eléctrica y no mueva la herramienta eléctrica hasta que la rueda se detenga completamente. No trate de eliminar la rueda de corte del corte mientras la rueda esté en movimiento, ya que podría producirse un rebote.**

Investigue y tome medidas correctoras para eliminar la causa del atasco de la rueda.

- d) **No reinicie la operación de corte en la pieza de trabajo. Deje que la rueda alcance plena velocidad y vuelva a entrar con cuidado en el corte.**

La rueda puede atascarse, desplazarse o rebotar si se reinicia la herramienta eléctrica en la pieza de trabajo.

- e) **Sostenga los paneles o las piezas con un tamaño excesivamente grande para minimizar el riesgo de pellizcos o rebotes de la muela.**

Las piezas grandes tienden a caerse por su propio peso. Deben colocarse soportes debajo de la pieza cerca de la línea de corte y cerca del borde de la pieza a ambos lados de la muela.

- f) **Tenga especial cuidado cuando realice un "corte de bolsa" en las paredes existentes o en otras áreas ciegas.**

La muela que sobresale podría cortar tuberías de gas o agua, cables eléctricos u objetos que pueden rebotar.

INSTRUCCIONES GENERALES DE SEGURIDAD PARA AMOLADORAS

- Compruebe que la velocidad marcada en la rueda es igual o superior a la velocidad media de la amoladora;
- Asegure que las dimensiones de la rueda son compatibles con la amoladora;
- Las ruedas abrasivas deben almacenarse y manipularse con cuidado de acuerdo con las instrucciones del fabricante;
- Inspeccione la rueda amoladora antes de utilizarla. No utilice productos descascarillados, agrietados o defectuosos;
- Asegure que las ruedas y puntos montados se ajustan a las instrucciones del fabricante;
- Asegure que se utilicen secantes cuando se proporcionan con el producto abrasivo y cuando se requiera;
- Asegure que el producto abrasivo está correctamente montado y ajustado antes de la utilización y ponga en marcha la herramienta sin carga durante 30 segundos en una posición segura; pare inmediatamente si hay vibración considerable o si se detectan otros defectos. Si ocurre esto, compruebe la máquina para determinar la causa;

- Si la herramienta se proporciona con una tapa, no utilice nunca la herramienta sin dicha tapa;
- No utilice cojinetes reductores o adaptadores diferentes para adaptar ruedas abrasivas de orificio grande;
- Para herramientas que se utilicen con rueda de orificio roscado, asegúrese de que la rosca de la rueda es lo suficientemente larga para aceptar la longitud del eje;
- Compruebe que la pieza de trabajo está bien sujeta;
- No utilice una rueda de recorte para el amole lateral;
- Asegúrese de que las chispas emitidas al utilizar la herramienta no crean ningún riesgo, es decir, no alcanzan a ninguna persona ni sustancia inflamable;
- Asegúrese de que las aperturas de ventilación están despejadas cuando trabaje en condiciones con polvo. Si es necesario limpiar el polvo, desconecte primero la herramienta de la toma de corriente (utilice objetos no metálicos) y evite dañar las piezas internas;
- Utilice siempre protección de ojos y de oídos, así como otro equipo protector personal como máscara de polvo, guantes, casco y mono;
- Preste atención a la rueda que sigue girando tras apagar la herramienta.

ESPECIFICACIONES

Modelos		G12SA3	G13SB3
Voltaje (por áreas)*		(110V, 230V, 240V) ∩	
Acometida*		1300 W	
Velocidad marcha en vacío*		11000 min ⁻¹	
Muela	diámetro exterior × diámetro interior	115 × 22 mm	125 × 22 mm
	Velocidad periférica	80 m/s	
Peso (cuerpo principal solamente)		1,9 kg	

* Verificar indefectiblemente los datos de la placa de características de la máquina, pues varían de acuerdo al país de destino.

ACCESORIOS ESTANDAR

- (1) Muela de alisado 1
 - (2) Llave para tuercas 1
 - (3) Asidero lateral 1
- Los accesorios estándar están sujetos a cambio sin previo aviso.

APLICACIONES

- Eliminación de rebabas de juntas y acabado de diversos tipos de acero, bronce y aluminio, materiales y fundiciones.
- Alisado de secciones soldadas o secciones cortadas por medio de soldadura.
- Alisado de resina sintética, pizarra, ladrillo, mármol, etc.
- Corte de hormigón sintético, piedra, ladrillos, mármol, y materiales similares.

ANTES DE LA PUESTA EN MARCHA

- 1. Alimentación**
Asegurarse de que la alimentación de red que ha de ser utilizada responda a las exigencias de corriente especificadas en la placa de características del producto.
- 2. Conmutador de alimentación**
Asegurarse de que el conmutador de alimentación esté en la posición OFF (desconectado). Si la clavija está conectada en la caja del enchufe mientras el conmutador de alimentación está en posición ON (conectado) las herramientas eléctricas empezarán a trabajar inmediatamente, provocando un serio accidente.
- 3. Cable de prolongación**
Cuando está alejada el área de trabajo de la red de alimentación, usar un cable de prolongación de un grosor y potencia nominal suficiente. El cable de prolongación debe ser mantenido lo más corto posible.

4. Montar y ajustar la cubierta protectora de muela

La cubierta protectora de muela es un dispositivo protector para evitar heridas, en caso de que la muela de alisado se quiebre durante la operación. Asegurarse de que la cubierta protectora esté bien montada y apretada antes de comenzar con la operación de alisado. Al soltar un poco el tornillo de ajuste, deja de girar la cubierta protectora de muela, por lo que se podrá poner en cualquier ángulo deseado para una efectividad máxima operacional. Asegurarse de que el tornillo de ajuste esté apretado firmemente después de ajustar la cubierta protectora.

[En caso de cubierta protectora de muela sin herramienta](Fig. 3)

- Coloque el conjunto de la rueda en el prensaestopas.
- Apriete el tornillo M5 para asegurar la cubierta protectora de muela manteniendo la palanca en posición cerrada.
- Realice el ajuste de la cubierta protectora de muela con la palanca liberada. (Afloje el tornillo M5 y reajuste si la cubierta protectora de muela no gira suavemente.)
- Después del ajuste, si necesita utilizar la máquina, hágalo solamente después de haber puesto la palanca en posición de cerrada.
- Lubrique la sección deslizante de la pieza de sujeción (B) y la palanca si ésta no se mueve suavemente.

5. Asegúrese de que las muelas y las puntas montadas se encuentren instaladas de acuerdo con las instrucciones del fabricante.

Asegurarse de que la muela de alisado a utilizar sea de tipo correcto y libre de rajaduras o defectos de superficie. También asegurarse de que la muela de alisado esté montada debidamente y que la contratuerca de muela esté apretada firmemente. Dirigirse a la sección de "MONTAJE Y DESMONTAJE DE LA MUELA ALISADO".

Asegúrese de que se utilicen discos de papel secante cuando estén provistos con el producto abrasivo ligado, y cuando sean requeridos.

No utilice casquillos reductores ni adaptadores para adaptar las muelas abrasivas de gran orificio.

Para las herramientas que se han de montar con muelas de orificio roscado, asegúrese de que la rosca de la muela sea lo suficientemente larga para poder aceptar el largo del husillo.

No utilice la muela de corte para el rectificado lateral.

6. Realizar una prueba

Asegúrese de que los productos abrasivos estén correctamente montados y apretados antes del uso, y haga funcionar la herramienta sin carga durante 30 segundos en una posición segura. Apáguela inmediatamente si nota una vibración considerable u otros defectos. Si se produce esta condición, inspeccione la herramienta para determinar la causa.

7. Confirme el botón

Confirme que el botón pulsador esté desactivado presionando el botón pulsador dos o tres veces antes de conectar la alimentación de la herramienta eléctrica (vea la Fig. 2).

8. Instalación del asidero lateral

Atornille el asidero lateral en la cubierta de engranaje.

APLICACION PRACTICA DEL ALISADOR**1. Presión**

Para prolongar la vida de la máquina y asegurar un acabado de primera clase, es importante que la máquina no sea recalentada aplicando demasiada presión. En la mayoría de las aplicaciones el sólo peso de la máquina, es suficiente para un alisado efectivo. Demasiada presión ocasionaría una reducida velocidad rotacional, inferior acabado de superficie y recalentamiento que reduciría la vida de la máquina.

2. Angulo de alisado

No aplicar toda la superficie de la muela de alisado al material a alisar. Como muestra en Fig. 1, la máquina deberá ser mantenida en un ángulo de 15° - 30° de tal manera que el canto externo de la muela de alisado contacte la pieza de trabajo en un ángulo óptimo.

- 3. Para prevenir que una nueva muela de alisado cave la pieza de trabajo, el alisado inicial debe ser llevado a cabo tirando de la amoladora por encima de la pieza de trabajo hacia el operario (Fig. 1 dirección B). Una vez que el canto directriz de la muela de alisado esté bien raspado, el alisado puede ser realizado en cualquier dirección.

4. Precauciones inmediatamente después de haber acabado la operación.

La muela continuará girando después de apagar la herramienta.

Después de desconectar la máquina no posarla antes de que la muela de alisado se haya parado completamente. Aparte de evitar serios accidentes, esta precaución reduciría la cantidad de polvo y limaduras absorbidos por la máquina.

PRECAUCIONES

- Compruebe que la pieza de trabajo esté correctamente soportada.
- Cuando trabaje en ambientes polvorientos, asegúrese de que las aberturas de ventilación se mantengan libres de obstrucciones. Si llegara a ser necesario eliminar el polvo, primero desconecte la herramienta del tomacorriente de la red (use objetos no metálicos) y evite que se dañen las piezas internas.
- Asegúrese de que las chispas resultantes del uso no representen peligro alguno, por ejemplo, que no alcancen a las personas, ni que incendien sustancias inflamables.
- Utilice siempre protectores oculares y auriculares. Otros equipos de protección personal, como máscara contra el polvo, guantes, casco y delantal se deben usar según se requiera. En caso de dudas, utilice el equipo de protección.
- Cuando no se usa la máquina, debe estar desconectada la acometida de red.

MONTAJE Y DESMONTAJE DE LA MUELA ALISADO (Fig. 2)

PRECAUCION: Cerciórese de desconectar la alimentación y desenchufe el enchufe de la toma de alimentación de la red para evitar averías serias.

1. Montaje (Fig. 2)

- (1) Coloque la amoladora angular boca abajo de manera que el eje quede hacia arriba.
- (2) Alinee la distancia entre caras de la arandela de rueda con la parte muescada del eje, y luego fíjelas.
- (3) Encaje la protuberancia de la muela de alisado en la arandela molar.
- (4) Enrosque la tuerca de rueda en el eje.
- (5) Mientras empuja el botón pulsador con una mano, bloquee el eje haciendo girar lentamente la rueda de disco abombado con una mano. Apriete la tuerca de rueda utilizando la llave suministrada, de la manera mostrada en la Fig. 2.

2. Desmontaje

Seguir los procedimientos antedichos a la inversa.

PRECAUCIONES

- Confirme que la muela de alisado esté firmemente montada.
- Confirmar que el botón esté desactivado presionando el botón dos o tres veces antes de conectar la alimentación de la herramienta eléctrica.

MANTENIMIENTO E INSPECCION

1. Inspeccionar la muela de alisado

Asegurarse de que la muela de alisado esté libre de rajaduras y defectos en la superficie.

2. Inspeccionar los tornillos de montaje

Regularmente inspeccionar todos los tornillos de montaje y asegurarse de que estén apretados firmemente. Si cualquier tornillo estuviera suelto, volver a apretarlo inmediatamente. El no hacer esto provocaría un riesgo serio.

3. Inspección de escobillas de carbón (Fig. 4)

El motor emplea carbones de contacto que son partes consumibles. Como un carbón de contacto excesivamente desgastado podría dar problemas al motor, reemplazar el carbón de contacto por uno nuevo, que tenga el mismo número mostrado en la figura, cuando se haya desgastado o esté cerca del límite de uso. Adicionalmente, mantener siempre los carbones de contacto limpios y asegurarse de que corran libremente dentro de los sujetadores de carbón.

4. Reemplazar el carbón de contacto (Fig. 5)

<Desmontaje>

- (1) Afloje el tornillo autorroscante D4 que sujeta la cubierta de la cola y desmonte ésta.
- (2) Emplee la llave macho hexagonal auxiliar o un pequeño destornillador para tirar del borde del resorte helicoidal que empuja hacia abajo el carbón de contacto. Extraiga el borde del resorte hacia afuera el soporte del carbón de contacto.
- (3) Extraiga la sección del soporte carbón de contacto en la sección del terminal del soporte del carbón de contacto y después extraiga el carbón de contacto de su soporte.

<Montaje>

- (1) Inserte el extremo del conductor helicoidal del carbón de contacto en la sección del terminal del soporte del carbón de contacto.
- (2) Inserte el carbón de contacto en el soporte del mismo.
- (3) Emplee la llave macho hexagonal auxiliar o un pequeño destornillador para devolver el borde del resorte helicoidal hasta la cabeza del carbón de contacto.

- (4) Cierre la cubierta de la cola y apriete el tornillo autorroscante D4.

5. Mantenimiento de motor

La unidad de bobinado del motor es el verdadero "corazón" de las herramientas eléctricas. Prestar el mayor cuidado a asegurarse de que el bobinado no se dañe y/o se humedezca con aceite o agua.

6. Lista de repuestos

- A: N°. ítem
- B: N°. código
- C: N°. usado
- D: Observaciones

PRECAUCIÓN

La reparación, modificación e inspección de las herramientas eléctricas Hitachi deben ser realizadas por un Centro de Servicio Autorizado de Hitachi. Esta lista de repuestos será de utilidad si es presentada junto con la herramienta al Centro de Servicio Autorizado de Hitachi, para solicitar la reparación o cualquier otro tipo de mantenimiento. En el manejo y el mantenimiento de las herramientas eléctricas, se deberán observar las normas y reglamentos vigentes en cada país.

MODIFICACIONES

Hitachi Power Tools introduce constantemente mejoras y modificaciones para incorporar los últimos avances tecnológicos.

Por consiguiente, algunas partes (por ejemplo, números de códigos y/o diseño) pueden ser modificadas sin previo aviso.

GARANTÍA

Las herramientas motorizadas de Hitachi incluye una garantía conforme al reglamento específico legal/nacional. Esta garantía no cubre los defectos o daños debidos al uso incorrecto, el abuso o el desgaste normal. En caso de reclamación, envíe la herramienta motorizada, sin desmontar y con el CERTIFICADO DE GARANTÍA que aparece al final de estas instrucciones de uso, al Centro de Servicio Autorizado de Hitachi.

OBSERVACION

Debido al programa continuo de investigación y desarrollo de HITACHI éstas especificaciones están sujetas a cambio sin previo aviso.

Información sobre el ruido propagado por el aire y vibración

Los valores medidos se determinaron de acuerdo con EN60745 declararon de conformidad con ISO 4871.

Nivel de potencia auditiva ponderada A: 97 dB(A)

Nivel de presión auditiva ponderada A: 86 dB(A)

Duda KpA: 3 dB(A)

Utilice protectores para los oídos.

Valor medio cuadrático ponderado típico de aceleración:
4,0 m/s².

En caso de emplear una empuñadura lateral amortiguada de vibraciones, las vibraciones típicas resultantes en la mano/brazo al trabajar con la herramienta eléctrica son inferiores a 2,5 m/s².

AVISOS GERAIS DE SEGURANÇA PARA A FERRAMENTA ELÉCTRICA

AVISO

Leia todas as instruções e avisos de segurança. Se não seguir todas as instruções e os avisos, pode provocar um choque eléctrico, incêndio e/ou ferimentos graves.

Guarde todos os avisos e instruções para referência futura. O termo “ferramenta eléctrica” em todos os avisos refere-se à sua ferramenta ligada à corrente (com fios) ou à ferramenta eléctrica a baterias (sem fios).

1) Segurança da área de trabalho

- Mantenha a área de trabalho limpa e bem iluminada.**
As áreas escuras ou cheias de material são propícias aos acidentes.
- Não trabalhe com ferramentas eléctricas em ambientes explosivos, tais como na presença de líquidos inflamáveis, gases ou pó.**
As ferramentas eléctricas criam faíscas que podem inflamar o pó dos fumos.
- Mantenha as crianças e outras pessoas afastadas quando trabalhar com uma ferramenta eléctrica.**
As distrações podem fazer com que perca controlo.

2) Segurança eléctrica

- As fichas da ferramenta eléctrica devem corresponder às tomadas. Nunca modifique a ficha. Não utilize fichas adaptadoras com ferramentas eléctricas ligadas à terra.**
As fichas não modificadas e tomadas correspondentes reduzirão o risco de choques eléctricos.
- Evite contacto corporal com superfícies ligadas à terra, tais como tubos, radiadores, máquinas e frigoríficos.**
Existe um risco acrescido de choque eléctrico se o seu corpo estiver ligado à terra.
- Não exponha ferramentas eléctricas à chuva ou condições de humidade.**
A entrada de água numa ferramenta eléctrica aumentará o risco de choques eléctricos.
- Não abuse do fio. Nunca utilize o fio para transportar, puxar ou desligar a ferramenta eléctrica. Mantenha o fio afastado do calor, óleo, margens afiadas ou peças em movimento.**
Os fios danificados ou entrelaçados podem aumentar o risco de choques eléctricos.
- Quando trabalhar com uma ferramenta eléctrica no exterior, utilize uma extensão adequada para utilização exterior.**
A utilização de um fio adequado para utilização no exterior reduz o risco de choques eléctricos.
- Se não for possível evitar a utilização de uma máquina eléctrica num local húmido, utilize uma fonte de alimentação protegida por um dispositivo de corrente residual (RCD).**
A utilização de um RCD reduz o risco de choque eléctrico.

3) Segurança pessoal

- Mantenha-se alerta, esteja atento ao que está a fazer e utilize senso comum quando trabalhar com uma ferramenta eléctrica. Não utilize uma ferramenta eléctrica quando estiver cansado ou sob a influência de drogas, álcool ou medicamentos.**
Um momento de desatenção enquanto trabalha com ferramentas eléctricas pode resultar em ferimentos pessoais graves.

- Utilize equipamento de protecção pessoal. Utilize sempre protecção para os olhos.**

O equipamento de protecção, tal como uma máscara de pó, sapatos de segurança anti-derrapantes, chapéu rígido ou protecção auricular utilizados para condições adequadas reduzirá os ferimentos pessoais.

- Evite ligar por acidente. Certifique-se de que o interruptor está na posição de desligado antes de ligar a fonte de alimentação e/ou bateria, levantar ou transportar a ferramenta.**

Transportar ferramentas eléctricas com o dedo no interruptor ou activar ferramentas que estão com o interruptor ligado é propício a acidentes.

- Remova qualquer chave de parafusos ou chave-inglesa de regulação antes de ligar a ferramenta.**

Uma chave-inglesa ou de parafusos ligada à parte rotativa da ferramenta pode provocar ferimentos pessoais.

- Não se estique. Mantenha sempre o controlo e equilíbrio adequados.**

Isto permite obter um melhor controlo da ferramenta em situações inesperadas.

- Use vestuário adequado. Não use roupas largas ou jóias. Mantenha o cabelo, roupas e luvas afastados das peças móveis.**

As roupas largas, jóias ou cabelo comprido podem ser apanhados em peças móveis.

- Se forem fornecidos dispositivos para a ligação de extractores de pó e dispositivos de recolha, certifique-se de que estes estão ligados e são utilizados adequadamente.**

A utilização de uma recolha de pó pode reduzir os perigos relacionados com o pó.

4) Utilização da ferramenta e manutenção

- Não force a ferramenta eléctrica. Utilize a ferramenta correcta para a sua aplicação.**

A ferramenta correcta fará o trabalho melhor e com mais segurança à velocidade para a qual foi concebida.

- Não utilize a ferramenta eléctrica se o interruptor não a ligar ou desligar.**

Qualquer ferramenta que não possa ser controlada com o interruptor é perigosa e deve ser reparada.

- Desligue a ficha da rede antes e/ou a bateria da ferramenta eléctrica antes de efectuar quaisquer regulações, mudar os acessórios ou guardar ferramentas eléctricas.**

Tais medidas de segurança de prevenção reduzem o risco de ligar a ferramenta eléctrica acidentalmente.

- Guarde as ferramentas eléctricas fora do alcance de crianças e não permita que pessoas não habituadas à ferramenta eléctrica ou estas instruções trabalhem com a ferramenta.**

As ferramentas eléctricas são perigosas nas mãos de utilizadores inexperientes.

- Efectue a manutenção de ferramentas eléctricas. Verifique a existência de desalinhamentos ou dobragens das peças móveis, quebras de peças e quaisquer outras condições que possam afectar o funcionamento das ferramentas eléctricas. Se danificada, mande reparar a ferramenta antes de utilizar.**

Muitos acidentes são causados por ferramentas com má manutenção.

- Mantenha as ferramentas de corte afiadas e limpas. As ferramentas de corte com uma manutenção adequada e extremidades afiadas são menos propensas a dobrar e mais fáceis de controlar.**

- g) Utilize a ferramenta eléctrica, acessórios e pontas de ferramentas, etc., de acordo com estas instruções, tomando em consideração as condições de trabalho e o trabalho a ser efectuado.

A utilização de uma ferramenta eléctrica para operações diferentes das concebidas pode resultar num mau funcionamento.

5) Manutenção

- a) Faça a manutenção da sua ferramenta eléctrica por um pessoal de reparação qualificado e utilize apenas peças de substituição idênticas.

Isto garantirá que a segurança da ferramenta eléctrica é mantida.

AVISO

Mantenha afastadas das crianças e pessoas doentes.

Quando não estiverem a ser utilizadas, as ferramentas devem ser guardadas fora do alcance de crianças e pessoas doentes.

AVISOS DE SEGURANÇA COMUNS PARA OPERAÇÕES DE REBARBAÇÃO OU CORTE ABRASIVO

- a) Esta ferramenta eléctrica foi concebida para funcionar como rebarbadora ou ferramenta de corte. Leia todos os avisos de segurança, instruções, ilustrações e especificações que acompanham esta ferramenta eléctrica.

O não seguimento de todas as instruções apresentadas abaixo pode resultar em choque eléctrico, incêndio e/ou ferimentos graves.

- b) Não é recomendada a utilização desta máquina eléctrica para operações como lixagem, limpeza com escova metálica ou polimento.

As operações para as quais a máquina eléctrica não foi concebida podem criar perigo e causar ferimentos.

- c) Não utilize acessórios que não sejam especificamente concebidos e recomendados pelo fabricante da ferramenta.

O facto de um acessório se adaptar à ferramenta eléctrica não é garantia de uma operação segura.

- d) A velocidade nominal do acessório deve ser, pelo menos, igual à velocidade máxima marcada na ferramenta eléctrica.

A utilização dos acessórios a velocidades mais rápidas que a sua velocidade nominal pode fazer com que estes partam e sejam projectados.

- e) O diâmetro exterior e a espessura do acessório devem estar dentro da capacidade nominal da ferramenta eléctrica.

Os acessórios de tamanho incorrecto não podem ser devidamente protegidos ou controlados.

- f) O tamanho do eixo de discos, frisos, discos de respaldo, ou de qualquer outro acessório, deve encaixar devidamente no eixo da ferramenta eléctrica.

Os acessórios com orifícios de eixo que não encaixem no hardware de montagem da ferramenta eléctrica irão causar desequilíbrio, vibrar excessivamente e podem levar à perda de controlo.

- g) Não utilize um acessório danificado. Antes de cada utilização, proceda à inspecção de acessórios, como discos abrasivos relativamente a lascas e fissuras, disco de respaldo em relação a fissuras, desgaste

ou utilização excessiva, escova metálica em termos de fios soltos ou partidos. Caso deixe cair a ferramenta eléctrica ou um acessório, proceda à inspecção relativamente a danos ou à instalação de um acessório não danificado. Após a inspecção e instalação de um acessório, mantenha-se afastado do plano do acessório rotativo e coloque a ferramenta eléctrica a trabalhar à velocidade máxima sem carga, durante um minuto.

Normalmente, os acessórios danificados partem-se no decorrer deste teste.

- h) Use equipamento de protecção pessoal. Consoante a aplicação, use protecção facial, luvas ou óculos de segurança. Conforme apropriado, use uma máscara de pó, protectores auriculares, luvas e avental de protecção, capaz de proteger contra pequenos fragmentos abrasivos ou peças.

A protecção para os olhos deve conseguir reter fragmentos projectados, gerados por diversas operações. A máscara de pó ou respirador devem ser capazes de filtrar partículas geradas durante a operação. A exposição prolongada a ruídos de grande intensidade pode causar perda de audição.

- i) As pessoas que se encontrem por perto devem ser mantidas a uma distância de segurança. Qualquer pessoa que entre na área de trabalho deve usar equipamento de protecção pessoal.

Fragmentos de peças ou de acessórios partidos podem ser projectados e causar ferimentos além da área imediata de operação.

- j) Agarre a ferramenta eléctrica somente pelas superfícies isoladas ao realizar uma operação em que o acessório de corte possa conter fios ocultos o seu próprio cabo.

O acessório de corte, em contacto com um fio com corrente, pode passar corrente para as partes metálicas expostas da ferramenta eléctrica e dar choque ao operador.

- k) Coloque o cabo afastado do acessório rotativo. Caso perca o controlo, o cabo pode ser cortado ou puxado e a sua mão ou braço podem ser puxados para o acessório rotativo.

- l) Nunca pouse a ferramenta de corte até que o acessório esteja completamente imobilizado.

O acessório rotativo pode agarrar a superfície e puxar a ferramenta eléctrica para fora do seu controlo.

- m) Não coloque a ferramenta eléctrica em funcionamento enquanto a transporta ao seu lado. O contacto acidental com o acessório rotativo pode agarrar a sua roupa, puxando o acessório para o seu corpo.

- n) Limpe regularmente os respiradouros da ferramenta eléctrica.

A ventoinha do motor irá sugar o pó para dentro do alojamento e a acumulação excessiva de metal em pó pode causar perigo eléctrico.

- o) Não opere a ferramenta eléctrica perto de materiais inflamáveis.

As faíscas podem acender esses materiais.

- p) Não utilize acessórios que requeiram líquidos de refrigeração.

A utilização de água ou de outros líquidos de refrigeração pode causar electrocussão ou choque.

REACÇÃO ENERGÉTICA E AVISOS RELACIONADOS

A reacção energética é uma reacção repentina a um disco rotativo, disco de respaldo, escova ou qualquer outro acessório que seja apertado ou puxado. A acção de apertar ou puxar causa um rápido retardamento do acessório rotativo, o que, por sua vez, faz com que a ferramenta eléctrica não controlada seja forçada na direcção oposta da rotação do acessório no ponto de ligação.

Por exemplo, se um disco abrasivo for puxado ou apertado pela peça a ser trabalhada, o limite do disco que entra no ponto de aperto pode penetrar na superfície do material, fazendo com que o disco caia ou seja expelido. Consoante a direcção do movimento do disco no ponto de aperto, este pode ser projectado em direcção ao operador ou para longe dele. Os discos abrasivos podem também partir sob estas condições.

A reacção energética é o resultado da má utilização da ferramenta eléctrica e/ou de procedimentos ou condições de operação incorrectos, podendo ser evitada se forem tomadas as devidas precauções, conforme descritas abaixo.

a) Segure bem a ferramenta eléctrica e posicione o seu corpo e braço de forma que permita resistir a forças de reacção energética. Use sempre a pega auxiliar, se fornecida, para o máximo controlo de reacções energéticas ou de torção durante o início da operação.

Caso sejam tomadas as devidas precauções, é possível ao operador controlar as reacções de torção ou as forças energéticas.

b) Nunca colocar a mão perto do acessório rotativo. O acessório pode ter uma reacção energética para a sua mão.

c) Não posicione o corpo na área onde a ferramenta eléctrica se irá movimentar na eventualidade de reacção energética.

A reacção energética irá propelir a ferramenta na direcção oposta ao movimento do disco no ponto de aperto.

d) Tenha cuidados redobrados ao trabalhar cantos, margens afiadas, etc. Evite oscilar ou apertar o acessório.

Cantos, margens afiadas ou oscilação têm tendência a apertar o acessório rotativo e causar perda de controlo ou reacção energética.

e) Não utilize uma lâmina de entalhe ou lâmina dentada para serra.

Tais lâminas criam, frequentemente, reacções energéticas e perda de controlo.

AVISOS DE SEGURANÇA ESPECÍFICOS PARA OPERAÇÕES DE REBARBAÇÃO E CORTE ABRASIVO

a) Use somente tipos de disco recomendados para a ferramenta eléctrica e a protecção específica concebida para o disco seleccionado.

Os discos para os quais a ferramenta eléctrica não foi concebida não poderão ser adequadamente protegidos e não são seguros.

b) A protecção deve ser anexada à ferramenta eléctrica de forma segura e posicionada para máxima segurança, para que a porção de disco exposta em direcção ao operador seja a menor possível.

A protecção ajuda a proteger o operador de fragmentos de disco partidos e de contacto com o disco.

c) Os discos devem ser utilizados somente para as aplicações recomendadas. Por exemplo: não rebarbe com o lado do disco de corte.

Os discos de corte abrasivo são concebidos para rebarbação periférica, as forças laterais aplicadas a estes discos podem fazê-los partir.

d) Utilize sempre frisos de disco não danificados, de tamanho e forma apropriados para o disco seleccionado.

Frisos de disco adequados suportam o disco, reduzindo assim a possibilidade deste partir. Os frisos para discos de corte podem ser diferentes daqueles para discos de rebarbação.

e) Não utilize discos gastos de ferramentas eléctricas maiores.

Os discos concebidos para ferramentas eléctricas maiores não são adequados para a maior velocidade de uma ferramenta mais pequena e podem rebentar.

AVISOS DE SEGURANÇA ADICIONAIS, ESPECÍFICOS PARA OPERAÇÕES DE CORTE ABRASIVO

a) Não “obstrua” o disco de corte ou aplique pressão em excesso. Não tente fazer um corte demasiadamente profundo.

O excesso de pressão no disco aumenta a carga e a susceptibilidade para torção e emperramento do disco, e a possibilidade de reacção energética ou quebra do disco.

b) Não posicione o seu corpo alinhado com e atrás da roda rotativa.

Quando o disco, no ponto de operação, está a mover-se para longe do seu corpo, a reacção energética possível pode projectar o disco rotativo e a ferramenta eléctrica directamente na sua direcção.

c) Quando o disco está a emperrar ou quando interrompe um corte por qualquer motivo, desligue a ferramenta eléctrica e não a movimente até que o disco fique completamente imóvel. Nunca tente retirar o disco do corte enquanto estiver em movimento, pois pode dar-se uma reacção energética.

Investigue e adopte uma acção correctiva para eliminar a causa do emperramento do disco.

d) Não retome a operação de corte na peça. Permita que o disco alcance a velocidade máxima e retome o corte cuidadosamente.

Caso a ferramenta eléctrica seja reiniciada na peça, o disco pode emperrar, subir ou causar reacção energética.

e) Paineis de suporte ou qualquer peça de trabalho de tamanho excessivo para minimizar o risco de atracamento de disco e recuo.

As peças de trabalho grandes tendem a vergar sob o próprio peso. Os apoios têm de ser colocados sob a peça de trabalho perto da linha de corte e perto da extremidade da peça de trabalho em ambos os lados do disco.

f) Tenha muito cuidado quando efectuar um “corte em reenrância” nas paredes existentes ou outras áreas ocultas.

O disco saliente pode cortar tubos de gás ou água, cablagem eléctrica ou objectos que podem causar recuo.

INSTRUÇÕES DE SEGURANÇA GERAIS PARA RECTIFICADORAS

- Verifique se a velocidade marcada no disco é igual ou superior à velocidade nominal da rectificadora;
 - Certifique-se de que as dimensões do disco são compatíveis com a rectificadora;
 - Os discos abrasivos devem ser guardadas e manuseadas com cuidado, de acordo com as instruções do fabricante;
 - Inspeccione o disco rectificador antes de utilizar, não utilize produtos lascados, rachados ou defeituosos;
 - Certifique-se de que os discos e pontos são instalados de acordo com as instruções do fabricante;
 - Certifique-se de que são utilizados mata-borrões quando forem fornecidos com o produto soldado abrasivo e quando forem necessários;
 - Certifique-se de o produto abrasivo está correctamente instalado e apertado antes de utilizar e coloque a ferramenta a funcionar sem carga durante 30s numa posição segura e pare imediatamente se existirem vibrações consideráveis ou se forem detectados outros detectores. Se esta condição ocorrer, verifique a máquina para determinar a causa;
- Se a ferramenta for instalada com uma protecção, nunca utilize a ferramenta sem uma protecção;
 - Não utilize casquilhos ou adaptadores de redução para adaptar a discos abrasivos com orifícios de grandes dimensões;
 - Para as ferramentas que se destinem a serem utilizadas com um orifício roscado, certifique-se de que a rosca no disco é suficientemente comprida para aceitar o comprimento do veio;
 - Verifique se a peça de trabalho está correctamente apoiada;
 - Não utilize uma roda de corte para rectificação lateral;
 - Certifique-se de que as faíscas resultantes da utilização não constituem um perigo, por exemplo, não atingem pessoas ou inflamam substâncias inflamáveis.
 - Certifique-se de que as aberturas de ventilação estão desobstruídas em situações de muito pó, caso seja necessário limpar o pó, desligue primeiro a ferramenta da fonte de alimentação (utilize objectos não metálicos) e evite danificar as peças internas;
 - Utilize sempre protecção para os olhos e ouvidos. Deve ser usado outros equipamentos de protecção, tais como máscaras para pó, luvas, capacetes e aventais;
 - Tome atenção ao disco que continua a rodar após a ferramenta ter sido desligada.

ESPECIFICAÇÕES

Modelo	G12SA3		G13SB3
Voltagem (por áreas)*	(110V, 230V, 240V) ~		
Potência de entrada*	1300 W		
Rotação sem carga*	11000 min ⁻¹		
Esmeril	Diâmetro externo × diâmetro do furo	115 × 22 mm	125 × 22 mm
	Velocidade periférica	80 m/s	
Peso (Somente do corpo principal)		1,9 kg	

* Não deixe de verificar a voltagem na placa identificadora constante do produto, pois ela está sujeita a mudanças conforme a área.

ACESSÓRIOS PADRÃO

- (1) Esmeril 1
 (2) Chave inglesa 1
 (3) Empunhadadeira lateral 1
 Os acessórios-padrão estão sujeitos a mudanças sem aviso prévio.

APLICAÇÕES

- Tira rebarbas de fundição e faz acabamento de vários tipos de aço, bronze e alumínio e obras de fundição.

- Retifica partes soldadas ou seções cortadas por meio de um maçarico de recorte.
- Retifica resinas sintéticas, ardósia, tijolo, mármore, etc.
- Para cortar concreto sintético, pedra, tijolo, mármore ou materiais similares.

ANTES DA OPERAÇÃO

1. Fonte de energia

Certifique-se de que a fonte de energia a ser utilizada está conforme às exigências especificadas na placa identificadora do produto.

2. Interruptor

Certifique-se de que o interruptor está na posição desligada. Se o plugue estiver conectado a um receptáculo quando o interruptor estiver ligado, a ferramenta elétrica vai começar a operar imediatamente, podendo provocar um grave acidente.

3. Cabo de extensão

Quando o local de trabalho não possuir uma fonte de energia, utilize um cabo de extensão de espessura e de potência nominal suficientes. A extensão deve ser mantida tão curta quanto possível.

4. Colocação e ajuste da proteção de roda

A proteção de roda é um dispositivo para evitar ferimentos caso o esmeril quebre durante a operação. Certifique-se de que o protetor está colocado e preso corretamente antes de começar a operação de esmerilhamento. Ao desapertar ligeiramente o parafuso de ajuste, a proteção de roda pode ser girada e posta em qualquer ângulo desejado para uma máxima eficácia operacional. Não deixe de verificar se o parafuso de ajuste está firmemente apertado depois de ajustar a proteção de roda.

[Em caso de proteção de roda sem ferramenta](Fig.3)

- Coloque a roda na junta de vedação.
 - Aperte o parafuso M5 para prender a proteção da roda enquanto a alavanca está na posição fechada.
 - Faça o ajuste da proteção da roda enquanto a alavanca é solta.
(Desaperte o parafuso M5 e reajuste se a proteção da roda não girar de maneira regular.)
 - Depois do ajuste, se for necessária a operação de esmerilhamento, faça isso somente depois de colocar a alavanca na posição fechada.
 - Lubrifique a seção deslizante da peça do conjunto (B) e a alavanca se ela não estiver se movimentando de maneira regular.
5. Assegure-se de que os discos montados e os pontos estão ajustados de acordo com as instruções do fabricante.

Certifique-se de que o esmeril a ser utilizado é do tipo certo, livre de fissuras ou defeitos na superfície. Não esqueça também de verificar se o esmeril está montado corretamente e se a arruela de roda está bem apertada. Consulte a seção “MONTAGEM E DESMONTAGEM DO ESMERIL CENTRAL”.

Quando forem fornecidas costaneiras junto com o produto abrasivo — e se forem necessárias — assegure-se de que estão sendo usadas.

Não utilize adaptadores ou bocais redutores separados para diminuir um orifício grande do esmeril.

Em caso de ferramentas que devem ser ajustadas a discos que possuem orifícios rosqueados, certifique-se de que a rosca do disco é comprida o suficiente em relação ao comprimento do eixo. Não utilize discos de corte para esmerilhamento lateral.

6. Teste de funcionamento

Certifique-se de que o produto abrasivo está montado de maneira correta e apertado antes de ser utilizado. Coloque em funcionamento a ferramenta sem carga por 30 segundos numa posição segura e, se houver vibração considerável ou se forem detectados outros defeitos, desligue-a imediatamente.

Caso isto ocorra, cheque a máquina para determinar a causa do defeito.

7. Verifique o botão de pressão

Certifique que o botão de pressão está desengatado apertando-o duas ou três vezes antes de ligar a ferramenta (veja Fig. 2).

8. Para prender a empunhadura lateral

Aparafuse a empunhadura lateral na tampa do equipamento.

APLICAÇÃO PRÁTICA DA REBARBADORA

1. Pressão

Para prolongar a vida útil da máquina e garantir um acabamento de primeira, é importante que ela não seja sobrecarregada pela aplicação de demasiada pressão. Na maior parte das aplicações, apenas o peso da máquina é suficiente para um esmerilhamento eficaz. Uma pressão demasiada pode resultar numa velocidade de rotação reduzida, um acabamento inferior da superfície e a sobrecarga que pode reduzir a vida útil da máquina.

2. Ângulo do esmerilhamento

Não aplique a superfície inteira do esmeril no material a ser esmerilhado. Conforme mostra a Fig. 1, a máquina deve ser mantida num ângulo de 15°–30° de maneira que a borda externa do esmeril entre em contato com o material num ângulo ideal.

3. Para evitar que um novo esmeril abra um buraco na peça que está sendo trabalhada, o esmerilhamento inicial deve ser feito puxando a rebarbadora por sobre a peça em direção ao operador (Fig. 1, direção B). Uma vez que a borda de entrada do esmeril estiver limada corretamente, o esmerilhamento pode ser feito numa ou noutra direção.

4. Precauções a serem tomadas imediatamente depois de terminar a operação

O disco continua a girar depois que a ferramenta é desligada.

Logo após desligar a máquina, continue segurando-a, sem apoiá-la, até que o esmeril pare completamente de funcionar. Além de evitar graves acidentes, esta precaução reduzirá a quantidade de poeira e de limalhas de ferro aspiradas pela máquina.

CUIDADOS

- Verifique se a peça a ser trabalhada está apoiada corretamente.
- Assegure-se de que as aberturas de ventilação são mantidas limpas ao trabalhar em condições de poeira.
Case seja necessário limpar a poeira, desconecte primeiro a ferramenta da rede elétrica (use objetos não metálicos) e evite danificar as peças internas.
- Certifique-se de que as faíscas resultantes do uso não provoquem perigo, não atingindo, por exemplo, pessoas ou substâncias inflamáveis.
- Utilize sempre óculos de segurança e protetores de ouvido, e, quando necessário outros equipamentos de proteção como luvas, avental e capacete.
- Utilize sempre óculos de proteção e tampões de ouvido.

Outros equipamentos pessoais de proteção como máscara contra poeira, luvas, capacete e avental devem ser usados quando necessário.

Em caso de dúvida, use equipamento de proteção.

- Quando a máquina não estiver sendo usada, deve ficar desligada da rede de eletricidade.

MONTAGEM E DESMONTAGEM DO ESMERIL CENTRAL (Fig. 2)

CUIDADO: Certifique-se de desligar e desconectar o plugue da tomada evitando assim a ocorrência de graves acidentes.

1. Montagem (Fig. 2)

- (1) Gire a rebarbadora de cabeça para baixo de maneira que o eixo fique virado para cima.
 - (2) Alinhe as reentrâncias transversais da porca de roda com a parte dentada do eixo, prendendo-os depois.
 - (3) Ajuste a protuberância do esmeril na porca de roda.
 - (4) Aparafuse a arruela de roda no eixo.
 - (5) Ao mesmo tempo em que aperta o botão de pressão com uma mão, com a outra, gire lentamente o esmeril para fixar o eixo.
- Aperte bem a arruela de roda usando a chave fornecida, como mostra a **Fig. 2**.

2. Desmontagem

Siga os procedimentos acima fazendo as operações ao contrário.

CUIDADOS

- Verifique se o esmeril está montado firmemente.
- Verifique se o botão de pressão está desengatado apertando o botão de pressão duas ou três vezes antes de ligar a ferramenta elétrica.

MANUTENÇÃO E INSPEÇÃO

1. Inspeção do esmeril

Certifique-se de que o esmeril está livre de fissuras e defeitos na superfície.

2. Inspeção dos parafusos de montagem

Inspeccione regularmente todos os parafusos de montagem e se certifique de que estão corretamente apertados. Se algum deles estiver frouxo, reaperte-o imediatamente. Caso isso não seja feito, pode resultar em perigo grave.

3. Inspeção das escovas de carvão (Fig. 4)

O motor emprega escovas de carvão que são peças de consumo. Como uma escova de carvão excessivamente desgastada pode provocar problemas no motor, troque-a por uma nova que tenha o mesmo número mostrado na ilustração. Além disso, mantenha as escovas de carvão sempre limpas e certifique-se de que elas deslizam livremente nos suportes de escova.

4. Troca de uma escova de carvão (Fig. 5)

<Desmontagem>

- (1) Desaperte o parafuso de fixação D4 que retém a tampa da ponta e retire-a.
- (2) Utilize a chave sextavada auxiliar ou uma chave de fenda pequena para empurrar a borda da mola que está pressionando para baixo a escova de carvão. Retire a ponta da mola em direção à parte externa do suporte de escova.
- (3) Tire a ponta do rabicho da escova de carvão da parte final do suporte de escova e, então, retire a escova de carvão do seu suporte.

<Montagem>

- (1) Insira a ponta do rabicho da escova de carvão na parte final do suporte de escova.

- (2) Insira a escova de carvão no suporte de escova.
- (3) Utilize uma chave sextavada auxiliar ou uma chave de fenda pequena para recolocar a ponta da mola na cabeça da escova de carvão.
- (4) Monte a tampa da ponta e aperte o parafuso de fixação. Utilize óculos de segurança.

5. Manutenção do motor

A unidade de enrolamento do motor é o verdadeiro "coração" da ferramenta elétrica. Cuide bem para assegurar que o enrolamento não se danifique e/ou se molhe com óleo ou água.

6. Lista de peças para conserto

- A: Item N°
- B: Código N°
- C: N° Usado
- D: Observações

CUIDADO

Consertos, modificações e inspeção de Ferramentas Elétricas da Hitachi devem ser realizados por uma Oficina Autorizada da Hitachi.

Esta lista de peças pode ser útil se apresentada com a ferramenta na Oficina Autorizada da Hitachi ao solicitar conserto ou manutenção.

Na operação e na manutenção das ferramentas elétricas, devem-se observar as normas de segurança e os padrões prescritos por cada país.

MODIFICAÇÃO

As Ferramentas Elétricas da Hitachi estão sempre sendo aperfeiçoadas e modificadas para incorporar os mais recentes avanços tecnológicos.

Dessa forma, algumas peças (isto é, números de código e/ou design) podem mudar sem aviso prévio.

GARANTIA

Garantimos que a Hitachi Power Tools obedece às respectivas normas específicas estatutárias/de país. Esta garantia não cobre avarias ou danos derivados de má utilização, abuso ou desgaste normal. Em caso de queixa, envie a Ferramenta, não desmontada, juntamente com o CERTIFICADO DE GARANTIA que se encontra no fundo destas instruções de utilização, para um Centro de Serviço Autorizado Hitachi.

NOTA

Devido ao contínuo programa de pesquisa e desenvolvimento da HITACHI, as especificações aqui contidas estão sujeitas a mudanças sem aviso prévio.

Informação a respeito de ruídos e vibração do ar

Os valores medidos foram determinados de acordo com a EN60745 e declarados em conformidade com a ISO 4871.

Nível de potência sonora ponderada A medida: 97 dB (A)

Nível de pressão sonora ponderada A medida: 86 dB (A)

Imprecisão KpA: 3 dB (A)

Use protetores de ouvido.

Valor típico da aceleração média ponderada da raiz quadrada: 4,0 m/s².

Ao utilizar o punho lateral com amortecimento de vibrações, a vibração da mão e do braço da ferramenta eléctrica utilizada é tipicamente inferior a 2,5 m/s².

ΓΕΝΙΚΕΣ ΠΡΟΕΙΔΟΠΟΙΗΣΕΙΣ ΑΣΦΑΛΕΙΑΣ ΗΛΕΚΤΡΙΚΟΥ ΕΡΓΑΛΕΙΟΥ

⚠ ΠΡΟΣΟΧΗ

Διαβάστε όλες τις προειδοποιήσεις ασφαλείας και όλες τις οδηγίες.

Η μη τήρηση των προειδοποιήσεων και οδηγιών μπορεί να προκαλέσει ηλεκτροπληξία, πυρκαγιά και/ή σοβαρό τραυματισμό.

Φυλάξτε όλες τις προειδοποιήσεις και τις οδηγίες για μελλοντική αναφορά.

Ο όρος "ηλεκτρικό εργαλείο" στις προειδοποιήσεις αναφέρεται στο ηλεκτρικό εργαλείο (με καλώδιο) που λειτουργεί στους αγωγούς ή στο ηλεκτρικό εργαλείο που λειτουργεί στη μπαταρία (χωρίς καλώδιο).

1) Ασφάλεια χώρου εργασίας

a) Διατηρείτε το χώρο εργασίας καθαρό και καλά φωτισμένο.

Σε ακατάστατες ή σκοτεινές περιοχές μπορεί να προκληθούν ατυχήματα.

b) Μην χρησιμοποιείτε τα ηλεκτρικά εργαλεία σε περιβάλλον, στο οποίο μπορεί να προκληθεί έκρηξη, όπως παρουσία εύφλεκτων υγρών, αερίων ή σκόνης.

Τα ηλεκτρικά εργαλεία δημιουργούν σπινθήρες, οι οποίοι μπορεί να αναφλέξουν τη σκόνη ή τον καπνό.

c) Κρατήστε τα παιδιά και τους παρευρισκόμενους μακριά όταν χρησιμοποιείτε ένα ηλεκτρικό εργαλείο.

Αν αποσπαστεί η προσοχή σας, υπάρχει κίνδυνος να χάσετε τον έλεγχο.

2) Ηλεκτρική ασφάλεια

a) Τα φως των ηλεκτρικών εργαλείων πρέπει να είναι κατάλληλα για τις πρίζες.

Μην τροποποιήσετε ποτέ το φως με οποιονδήποτε τρόπο. Μην χρησιμοποιείτε φως προσαρμογής με γειωμένα ηλεκτρικά εργαλεία.

Τα μη τροποποιημένα φως και οι κατάλληλες πρίζες μειώνουν τον κίνδυνο ηλεκτροπληξίας.

b) Αποφύγετε τη σωματική επαφή με γειωμένες επιφάνειες όπως σωλήνες, θερμάστρες, μαγειρικές συσκευές και ψυγεία.

Υπάρχει αυξημένος κίνδυνος ηλεκτροπληξίας όταν το σώμα σας είναι γειωμένο.

c) Μην εκθέτετε τα ηλεκτρικά εργαλεία στη βροχή ή σε συνθήκες υγρασίας.

Το νερό που εισέρχεται σε ένα ηλεκτρικό εργαλείο αυξάνει τον κίνδυνο ηλεκτροπληξίας.

d) Μην ασκείτε δύναμη στο καλώδιο. Μην χρησιμοποιείτε ποτέ το καλώδιο για να μεταφέρετε, να τραβήξετε ή να βγάλετε από την πρίζα το ηλεκτρικό εργαλείο.

Κρατήστε το καλώδιο μακριά από θερμότητα, λάδι, κοφτερές γωνίες και κινούμενα μέρη.

Τα κατεστραμμένα ή μπερδεμένα καλώδια αυξάνουν τον κίνδυνο ηλεκτροπληξίας.

e) Όταν χρησιμοποιείτε το εργαλείο σε εξωτερικό χώρο, χρησιμοποιήστε καλώδιο προέκτασης που προορίζεται για χρήση σε εξωτερικό χώρο.

Η χρήση ενός καλώδιου κατάλληλου για εξωτερικό χώρο μειώνει τον κίνδυνο ηλεκτροπληξίας.

f) Αν είναι αναπόφευκτη η λειτουργία ενός ηλεκτρικού εργαλείου σε χώρο με υγρασία, χρησιμοποιείτε διάταξη προστασίας ρεύματος διαρροής (RCD).

Η χρήση της RCD μειώνει τον κίνδυνο ηλεκτροπληξίας.

3) Προσωπική ασφάλεια

a) Να είστε σε ετοιμότητα, να βλέπετε αυτό που κάνετε και να χρησιμοποιείτε την κοινή λογική όταν χρησιμοποιείτε ένα ηλεκτρικό εργαλείο.

Μην χρησιμοποιείτε ηλεκτρικά εργαλεία όταν είστε κουρασμένοι ή υπό την επήρεια ναρκωτικών ουσιών, οινόπνευματος ή φαρμάκων.

Μια στιγμή απροσεξίας κατά τη χρήση ενός ηλεκτρικού εργαλείου μπορεί να προκαλέσει σοβαρό προσωπικό τραυματισμό.

b) Χρησιμοποιείτε προσωπικό προστατευτικό εξοπλισμό. Φοράτε πάντα προστασία για τα μάτια.

Ο προστατευτικός εξοπλισμός, όπως μάσκα για τη σκόνη, αντιολισθητικά παπούτσια, σκληρό καπέλο ή προστασία για τα αυτιά, που χρησιμοποιείται για ανάλογες συνθήκες μπορεί να μειώσει τους τραυματισμούς.

c) Προλαμβάνετε τυχόν ακούσια εκκίνηση. Βεβαιωθείτε ότι ο διακόπτης είναι σε θέση απενεργοποίησης πριν συνδέσετε τη συσκευή με πηγή ρεύματος και/ή τη θήκη των μπαταριών, πριν σκιάσετε ή μεταφέρετε το εργαλείο.

Η μεταφορά ηλεκτρικού εργαλείου με τα δάχτυλά σας στο διακόπτη ή η ηλεκτροδότηση ηλεκτρικού εργαλείου με ενεργοποιημένο το διακόπτη μπορεί να προκαλέσουν ατυχήματα.

d) Να αφαιρείτε τυχόν κλειδιά ρυθμιζόμενου ανοίγματος ή τα απλά κλειδιά πριν θέσετε σε λειτουργία το ηλεκτρικό εργαλείο.

Ένα από κλειδί ή ένα κλειδί ρυθμιζόμενου ανοίγματος που είναι προσαρτημένο σε περιστρεφόμενο εξάρτημα του ηλεκτρικού εργαλείου μπορεί να προκαλέσει προσωπικό τραυματισμό.

e) Μην τεντώνεστε. Να διατηρείτε πάντοτε το κατάλληλο πάτημα και την ισορροπία σας.

Με αυτόν τον τρόπο μπορείτε να ελέγχετε καλύτερα το ηλεκτρικό εργαλείο σε μη αναμενόμενες καταστάσεις.

f) Να είστε ντυμένοι κατάλληλα. Μην φοράτε φαρδιά ρούχα ή κοσμήματα. Να κρατάτε τα μαλλιά σας, τα ρούχα σας και τα γάντια σας μακριά από κινούμενα μέρη.

Τα φαρδιά ρούχα, τα κοσμήματα και τα μακριά μαλλιά μπορεί να πιαστούν σε κινούμενα μέρη.

g) Αν παρέχονται εξαρτήματα για τη σύνδεση συσκευών εξαγωγής και συλλογής σκόνης, να βεβαιώνετε ότι είναι συνδεδεμένα και χρησιμοποιούνται με το σωστό τρόπο.

Η χρήση συλλέκτη σκόνης μειώνει τους κινδύνους που προέρχονται από τη σκόνη.

4) Χρήση και φροντίδα ηλεκτρικών εργαλείων

a) Μην ασκείτε δύναμη στο ηλεκτρικό εργαλείο. Να χρησιμοποιείτε το ηλεκτρικό εργαλείο που είναι κατάλληλο για το είδος της εργασίας που εκτελείτε.

Το κατάλληλο ηλεκτρικό εργαλείο θα εκτελέσει την εργασία καλύτερα και με μεγαλύτερη ασφάλεια με τον τρόπο που σχεδιάστηκε.

b) Μην χρησιμοποιήσετε το ηλεκτρικό εργαλείο αν ο διακόπτης λειτουργίας δεν ανοίγει και δεν κλείνει.

Ένα ηλεκτρικό εργαλείο που δεν ελέγχεται από το διακόπτη λειτουργίας είναι επικίνδυνο και πρέπει να επισκευαστεί.

c) Αποσυνδέστε το ύψωμα από την πηγή ισχύος και/ή τη θήκη μπαταρίας από το ηλεκτρικό εργαλείο πριν προβείτε σε ρυθμίσεις, αλλαγή εξαρτήματος ή αποθήκευση του ηλεκτρικού εργαλείου.

Αυτά τα προληπτικά μέτρα ασφαλείας μειώνουν τον κίνδυνο να ξεκινήσει το ηλεκτρικό εργαλείο κατά λάθος.

d) Αποθηκεύετε τα εργαλεία που δεν χρησιμοποιείτε μακριά από παιδιά και μην αφήνετε τα άτομα που δεν είναι εξοικειωμένα με το ηλεκτρικό εργαλείο ή με αυτές τις οδηγίες να χρησιμοποιούν το ηλεκτρικό εργαλείο. Τα ηλεκτρικά εργαλεία είναι επικίνδυνα στα χέρια μη εκπαιδευμένων ατόμων.

- e) Σντηρείτε τα ηλεκτρικά εργαλεία. Να ελέγχετε την ευθυγράμμιση τους ή το μπλοκάρισμα των κινούμενων μερών, τη θραύση των εξαρτημάτων και οποιαδήποτε άλλη κατάσταση που ενδέχεται να επηρεάσει τη λειτουργία του ηλεκτρικού εργαλείου.

Σε περίπτωση βλάβης, το ηλεκτρικό εργαλείο πρέπει να επισκευαστεί πριν χρησιμοποιηθεί.

Πολλά ατυχήματα προκαλούνται από ηλεκτρικά εργαλεία που δεν έχουν συντηρηθεί σωστά.

- f) Διατηρείτε τα εργαλεία κοπής κοφτερά και καθαρά. Τα κατάλληλα συντηρημένα εργαλεία κοπής με κοφτερές γωνίες μπλοκάρουν πιο δύσκολα και ελέγχονται πιο εύκολα.

- g) Χρησιμοποιείτε το ηλεκτρικό εργαλείο, τα εξαρτήματα και τα μέρη κ.τ.λ. σύμφωνα με τις παρούσες οδηγίες, λαμβάνοντας υπόψη τις συνθήκες εργασίας και την εργασία που θα εκτελέσετε.

Η χρήση του ηλεκτρικού εργαλείου για εργασίες πέρα από εκείνες για τις οποίες προορίζεται, ενδέχεται να δημιουργήσει κινδύνους.

5) Σέρβις

- a) Να δίνετε το ηλεκτρικό εργαλείο για σέρβις σε κατάλληλα εκπαιδευμένα άτομα και να χρησιμοποιείτε μόνο γνήσια ανταλλακτικά.

Με αυτόν τον τρόπο είστε σίγουροι για την ασφάλεια του ηλεκτρικού εργαλείου.

ΠΡΟΦΥΛΑΞΗ

Μακριά από τα παιδιά και τους αναπήρους.

Όταν δεν χρησιμοποιούνται, τα εργαλεία πρέπει να φυλάζονται μακριά από τα παιδιά και τους αναπήρους.

ΠΡΟΕΙΔΟΠΟΙΗΣΕΙΣ ΑΣΦΑΛΕΙΑΣ ΚΟΙΝΕΣ ΓΙΑ ΤΡΟΧΙΣΜΑ Η ΤΡΑΧΥ ΠΡΙΟΝΙΣΜΑ

- a) Αυτό το ηλεκτρικό εργαλείο προορίζεται για λειτουργία τροχίσματος ή κοπής. Διαβάξτε όλες προειδοποιήσεις ασφαλείας, τις οδηγίες, τις εικόνες και τις προδιαγραφές που παρέχονται με το ηλεκτρικό εργαλείο.

Η μη τήρηση των οδηγιών που αναφέρονται παρακάτω μπορεί να προκαλέσει ηλεκτροπληξία, πυρκαγιά και/ή σοβαρό τραυματισμό.

- b) Ενέργειες, όπως η επίτρωση με άμμο, ο καθαρισμός με συμπατόβουρτσα ή το γυάλισμα δεν συνιστώνται με αυτό το ηλεκτρικό εργαλείο.

Ενέργειες για τις οποίες δεν σχεδιάστηκε το ηλεκτρικό εργαλείο μπορούν να αποτελέσουν κίνδυνο και να προκαλέσουν τραυματισμό.

- c) Μην χρησιμοποιείτε εξαρτήματα που δεν είναι ειδικά σχεδιασμένα και δεν συνιστώνται από τον κατασκευαστή.

Το γεγονός ότι το εξάρτημα προσαρτάται στο ηλεκτρικό σας εργαλείο δεν σημαίνει ότι έτσι διασφαλίζεται η ασφαλής λειτουργία του.

- d) Η ονομαστική ταχύτητα του εξαρτήματος πρέπει να ισοδυναμεί τουλάχιστον με τη μέγιστη ταχύτητα που αναφέρεται στο ηλεκτρικό εργαλείο.

Τα εξαρτήματα που έχουν μεγαλύτερη ταχύτητα από την ονομαστική ταχύτητα μπορεί να σπάσουν και να εκτοξευθούν μακριά.

- e) Η εξωτερική διάμετρος και το πάχος του εξαρτήματος σας πρέπει να βρίσκεται εντός της ονομαστικής τιμής όγκου του ηλεκτρικού σας εργαλείου.

Δεν είναι δυνατή η επαρκής προστασία και ο έλεγχος εξαρτημάτων με λάθος υπολογισμό μεγέθους.

- f) Το μέγεθος των τροχών, των φλαντζών, των πίσω περιβλημάτων ή άλλων εξαρτημάτων πρέπει να ταιριάζουν απόλυτα στον άξονα του ηλεκτρικού εργαλείου.

Τα εξαρτήματα με σπές που δεν ταιριάζουν στο πλαίσιο ωνιμένο υλικό του ηλεκτρικού εργαλείου δεν θα έχουν ισορροπία, θα δονούνται υπερβολικά και μπορεί να προκαλέσουν απώλεια ελέγχου.

- g) Μην χρησιμοποιείτε κατεστραμμένα εξαρτήματα. Πριν από κάθε χρήση ελέγχετε το εξάρτημα, όπως τους τροχούς λείανσης για θραύσματα και σχισμές ή υπερβολική φθορά, τη συρματίνη βούρτσα για χαλαρά ή σπασμένα σύρματα. Αν το ηλεκτρικό εργαλείο ή το εξάρτημα πέσουν, ελέγχετε για ζημιές ή εγκαταστήστε ένα ακεραίο εξάρτημα. Μετά τον έλεγχο και την εγκατάσταση του εξαρτήματος, απομακρυνθείτε, και υποδείξτε το ίδιο σε όσους βρίσκονται γύρω, από την πτέρυγα του περιστρεφόμενου εξαρτήματος και λειτουργήστε το ηλεκτρικό εργαλείο στη μέγιστη ταχύτητα μη φόρτισης για ένα λεπτό.

Τα κατεστραμμένα εξαρτήματα θα διαλυθούν κατά τη διάρκεια αυτή της δοκιμής.

- h) Φοράτε προστατευτικό εξοπλισμό. Ανάλογα με την ενέργεια, χρησιμοποιείτε μάσκα για το πρόσωπο, μάσκα οξυγονόκλησης ή προστατευτικά γυαλιά. Όπως αρμόζει, φοράτε μάσκα για τη σκόνη, προστατευτικά για τα αυτιά, γάντια και στολή συνερχειού που μπορεί να σας προστατέψει από μικρά τραχιά θραύσματα.

Η προστασία για τα μάτια πρέπει να σας προστατεύει από τα μικρά θραύσματα. Η μάσκα για τη σκόνη ή ο αναπνευστήρας πρέπει να φιλτράρουν τα σωματίδια που παράγονται κατά τις εργασίες σας. Η παρατεταμένη έκθεση σε υψηλή ένταση ήχου μπορεί να επιφέρει απώλεια ακοής.

- i) Διατηρείτε τους γύρω σας σε ασφαλή απόσταση από την περιοχή εργασίας σας. Οποιοσδήποτε εισέρχεται στην περιοχή εργασίας σας πρέπει να φοράει προστατευτικό εξοπλισμό.

Μπορεί να εκτοξευθούν θραύσματα ή ένα χαλασμένο εξάρτημα και να προκαλέσει τραυματισμό πέρα από την περιοχή εργασίας σας.

- j) Κρατάτε το ηλεκτρικό εργαλείο μόνο από τις μονωμένες λαβές, όταν εκτελείτε μια ενέργεια κατά την οποία το εξάρτημα κοπής μπορεί να έρθει σε επαφή με το κρυφό σύρμα ή το καλώδιό του.

Το εξάρτημα κοπής που έρχεται σε επαφή με "ενεργό" καλώδιο μπορεί να "ενεργοποιήσει" τα εκτεθειμένα μεταλλικά μέρη του ηλεκτρικού εργαλείου και να τινάξει το χειριστή.

- k) Τοποθετείτε το καλώδιο χωρίς το περιστρεφόμενο εξάρτημα.

Αν χάσετε τον έλεγχο, το καλώδιο μπορεί να κοπεί ή να σκιστεί και το χέρι σας να βρεθεί μέσα στο περιστρεφόμενο εξάρτημα.

- l) Ποτέ μην αποθέτετε κάτω το ηλεκτρικό εργαλείο πριν σταματήσει τελειώς η λειτουργία του εξαρτήματος.

Το περιστρεφόμενο εξάρτημα μπορεί να αρπάξει την επιφάνεια και να χάσετε τον έλεγχο του ηλεκτρικού εργαλείου.

- m) Το ηλεκτρικό εργαλείο δεν πρέπει να λειτουργεί ενώ το μεταφέρετε.

Μια τυχαία επαφή με το περιστρεφόμενο εξάρτημα θα μπορούσε να πιάσει τα ρούχα σας τραβώντας το εξάρτημα προς το σώμα σας.

η) Καθαρίζετε τακτικά τις οπές αερισμού του ηλεκτρικού εργαλείου.

Ο ανεμιστήρας του μοτέρ απορροφάει τη σκόνη στο περιβλήμα και η υπερβολική συγκέντρωση ρινομάτων μπορεί να προκαλέσει ηλεκτρικούς κινδύνους.

ο) Μην χρησιμοποιείτε το ηλεκτρικό εργαλείο κοντά σε εύφλεκτα υλικά.

Οι σπινθήρες μπορεί να αναφλέξουν αυτά τα υλικά.

ρ) Μην χρησιμοποιείτε εξαρτήματα που χρειάζονται ψυκτικό υγρό.

Η χρήση νερού ή άλλων ψυκτικών υγρών μπορεί να προκαλέσει θανατηφόρα ηλεκτροπληξία.

ε) Μην αναρτάτε λάμα κοπής ξύλου αλυσοπριονίου ή οδοντωτή λάμα πριονιού.

Οι λάμες αυτές δημιουργούν συχνά λακτίσματα και προκαλούν απώλεια ελέγχου.

ΠΡΟΕΙΔΟΠΟΙΗΣΕΙΣ ΑΣΦΑΛΕΙΑΣ ΕΙΔΙΚΕΣ ΓΙΑ ΤΡΟΧΙΣΜΑ Η ΤΡΑΧΥ ΠΡΙΟΝΙΣΜΑ

α) Χρησιμοποιείτε μόνο τύπους τροχών που συνιστώνται για το δικό σας ηλεκτρικό εργαλείο και το ειδικό προστατευτικό που είναι σχεδιασμένο ειδικά για τον επιλεγμένο τροχό.

Τροχό για τους οποίους δεν σχεδιάστηκε το ηλεκτρικό εργαλείο δεν μπορούν να ελεγχθούν επαρκώς και δεν είναι ασφαλείς.

β) Το προστατευτικό πρέπει να είναι σωστά αναρτημένο στο ηλεκτρικό εργαλείο και να τοποθετείται για μέγιστη ασφάλεια έτσι ώστε να εκτίθεται όσο το δυνατόν μικρότερο μέρος του τροχού στον χειριστή. Το προστατευτικό βοηθά στην προστασία του χειριστή από θραύσματα τροχού και από εκούσια επαφή με τον τροχό.

γ) Ο τροχό πρέπει να χρησιμοποιούνται μόνο για τις συνιστώμενες εφαρμογές. Για παράδειγμα: μην ακονίζετε με το πλάι του τροχού πριονίσματος.

Οι λειαντικοί τροχοί πριονίσματος σχεδιάστηκαν για περιμετρικό ακόνισμα. Οι πλευρικές δυνάμεις που ασκούνται σε αυτούς τους τροχούς μπορεί να προκαλέσουν τη θραύση τους.

δ) Χρησιμοποιείτε πάντα άφθαρτες φλάντζες τροχών που έχουν το σωστό μέγεθος και σχήμα για τον επιλεγμένο τροχό.

Οι κατάλληλες φλάντζες υποστηρίζουν τον τροχό και ελαττώνουν την πιθανότητα θραύσης. Οι φλάντζες για τροχούς πριονίσματος μπορεί να διαφέρουν από τις φλάντζες για τροχούς ακονίσματος.

ε) Μην χρησιμοποιείτε φθαρμένους τροχούς από μεγαλύτερα ηλεκτρικά εργαλεία.

Τροχός, σχεδιασμένος για μεγαλύτερο ηλεκτρικό εργαλείο είναι ακατάλληλος για τη μεγαλύτερη ταχύτητα ενός μικρότερου εργαλείου και μπορεί να σκάσει.

ΛΑΚΤΙΣΜΑ ΚΑΙ ΣΧΕΤΙΚΕΣ ΠΡΟΕΙΔΟΠΟΙΗΣΕΙΣ

Λάκτισμα ονομάζεται η ξαφνική αντίδραση σε ένα ραγισμένο ή φθαρμένο περιστρεφόμενο τροχό με προεξοχές, βάση αλοϊφαδούρου, βούρτσας ή οποιοδήποτε άλλο εξάρτημα. Το ράγισμα ή το σκίσιμο προκαλούν απότομο σταμάτημα του περιστρεφόμενου εξαρτήματος, το οποίο με τη σειρά του προκαλεί την ώθηση του ανεξέλεγκτου ηλεκτρικού εργαλείου προς μία διεύθυνση αντίθετη από την περιστροφή του εξαρτήματος στο σημείο της εμπλοκής.

Εάν, για παράδειγμα, ένας τροχός λείανσης σκιστεί ή ραγίσει από το τεμάχιο εργασίας, το άκρο του τροχού που εισάγεται στο σημείο θραύσης μπορεί να σκάψει την επιφάνεια του υλικού, προκαλώντας την ανεξέλεγκτη έξοδο ή το λάκτισμα του τροχού. Ο τροχός μπορεί να αναπηδήσει προς το χειριστή ή προς την αντίθετη κατεύθυνση από αυτόν, ανάλογα με τη διεύθυνση της κίνησης του τροχού τη στιγμή της θραύσης. Οι τροχοί λείανσης μπορεί επίσης να σπάσουν υπό αυτές τις συνθήκες.

Το λάκτισμα είναι αποτέλεσμα της εσφαλμένης μεταχείρισης του ηλεκτρικού εργαλείου και/ή εσφαλμένων λειτουργικών διαδικασιών ή συνθηκών και μπορεί να αποφευχθεί με τη λήψη των κατάλληλων προφυλάξεων, όπως περιγράφεται στη συνέχεια.

α) Κρατάτε σταθερά το ηλεκτρικό εργαλείο και τοποθετήστε το σώμα και το χέρι σας έτσι, ώστε να μπορείτε να αντισταθείτε σε δυνάμεις ανάκρουσης. Χρησιμοποιείτε πάντα μία βοηθητική λαθή, εάν παρέχεται, για μέγιστο έλεγχο του λακτίσματος ή αντίδραση ροπής κατά την εκκίνηση.

Ο χειριστής μπορεί να ελέγχει τις αντιδράσεις ροπής ή τις δυνάμεις ανάκρουσης, εάν έχουν ληφθεί τα κατάλληλα μέτρα προφύλαξης.

β) Μην έχετε ποτέ το χέρι σας κοντά στο περιστρεφόμενο εξάρτημα.

Το εξάρτημα μπορεί να λακτίσει πάνω από το χέρι σας.

γ) Μην τοποθετείτε το σώμα σας στην περιοχή που θα κινηθεί το ηλεκτρικό εργαλείο, εάν λακτίσει.

Το λάκτισμα θα τινάξει το εργαλείο προς την αντίθετη διεύθυνση από την κίνηση του τροχού τη στιγμή της θραύσης.

δ) Να είστε ιδιαίτερα προσεκτικοί όταν εργάζεστε σε γωνίες, αιχμηρά άκρα κ.λπ. Αποφύγετε την αναπήδηση και τη φθορά του εξαρτήματος.

Οι γωνίες, τα αιχμηρά άκρα ή η αναπήδηση έχουν την τάση να φθείρουν το περιστρεφόμενο εξάρτημα και να προκαλούν απώλεια ελέγχου ή λάκτισμα.

ΠΡΟΣΘΕΤΕΣ ΠΡΟΕΙΔΟΠΟΙΗΣΕΙΣ ΑΣΦΑΛΕΙΑΣ ΕΙΔΙΚΕΣ ΓΙΑ ΤΡΟΧΙΣΜΑ Η ΤΡΑΧΥ ΠΡΙΟΝΙΣΜΑ

α) Μην μπλοκάρτε τον τροχό πριονίσματος και μην ασκείτε υπερβολική πίεση. Μην επιχειρήσετε να κόψετε σε υπερβολικό βάθος.

Η άσκηση υπερβολικής πίεσης στον τροχό αυξάνει το φορτίο και την τάση στρέβλωσης του τροχού στην τομή και την πιθανότητα λακτίσματος ή θραύσης του τροχού.

β) Μην τοποθετείτε το σώμα σας σε ευθεία με τον περιστρεφόμενο τροχό ή πίσω από αυτόν.

Όταν κατά τη λειτουργία του ο τροχός απομακρύνεται από το σώμα σας, το πιθανό λάκτισμα μπορεί να τινάξει τον περιστρεφόμενο τροχό και να ωθήσει με δύναμη το ηλεκτρικό εργαλείο προς το μέρος σας.

γ) Όταν ο τροχός "κολλάει" ή όταν διακόπτετε μία τομή για οποιοδήποτε λόγο, απενεργοποιήστε το ηλεκτρικό εργαλείο και κρατήστε το ακίνητο εωστού ακινητοποιηθεί τελείως ο τροχός. Μην επιχειρήσετε ποτέ να απομακρύνετε τον τροχό πριονίσματος από την τομή, ενώ κινείται, γιατί μπορεί να προκύψει λάκτισμα.

Ερευνήστε και λάβετε διορθωτικά μέτρα για να εξαλείψετε την αιτία εμπλοκής του τροχού.

- d) Μην προσπαθήσετε να συνεχίσετε την τομή στο υλικό που επεξεργάζεστε. Αφήστε τον τροχό να φτάσει στην τελική του ταχύτητα και ξαναδοκιμάστε προσεκτικά στην τομή.**

Ο τροχός μπορεί να "κολλήσει", να μετατοπιστεί ή να λακτίσει, εάν θέσετε το εργαλείο σε λειτουργία όταν βρίσκεται μέσα στο υλικό που επεξεργάζεστε.

- e) Στηρίξτε τις επιφάνειες ή οποιοδήποτε υπερμεγέθους υλικό για την ελαχιστοποίηση του κινδύνου μαγκώματος του τροχού και της επιστροφής.**

Τα μεγάλα υλικά τείνουν να χαλαρώνουν υπό το βάρος τους. Πρέπει να τοποθετούνται στηρίγματα κοντά στη γραμμική κοπή και κοντά στην άκρη του υλικού και στις δύο πλευρές του τροχού.

- f) Δώστε ιδιαίτερη προσοχή όταν κάνετε ένα "κόψιμο σχήματος τσέπης" σε ήδη υπάρχοντες τοίχους ή άλλα τυφλά σημεία.**

Ο εξέχων τροχός μπορεί να κόψει σωλήνες αερίου ή νερού, ηλεκτρικά καλώδια ή αντικείμενα που μπορούν να προκαλέσουν επιστροφή.

- Σιγουρευτείτε ότι τα στυπόχαρτα έχουν χρησιμοποιηθεί όταν παρέχονται με το συκκολλημένο λειαντικό προϊόν λειάνσεως και όταν χρειάζονται.

- Σιγουρευτείτε ότι το προϊόν λειάνσεως έχει τοποθετηθεί σωστά και σφίχτεί πριν τη χρήση και λειτουργείστε το εργαλείο για 30 δευτερόλεπτα χωρίς φορτίο και σε μια ασφαλή θέση, σταματήστε αμέσως αν υπάρχει υπερβολική δόνηση ή παρατηρήσετε άλλες δυσλειτουργίες. Σ' αυτή τη περίπτωση, ελέγξτε το μηχάνημα για να διαπιστώσετε την αιτία.

- Εάν το εργαλείο είναι εφοδιασμένο με κάποιο προστατευτικό, ποτέ μη χρησιμοποιήσετε το εργαλείο χωρίς αυτό το προστατευτικό.

- Μη χρησιμοποιείτε πρόθετες ροδέλες μείωσης ή προσαρμογές για να προσαρμόσετε δίσκους με μεγάλη τρύπα.

- Για εργαλεία φτιαγμένα να δέχονται τροχούς με τρύπα, σιγουρευτείτε ότι η τρύπα του δίσκου είναι αρκετά μεγάλη για να δεχθεί το μέγεθος του άξονα. Φροντίστε το αντικείμενο εργασίας να είναι καλά στηριγμένο.

- Μη χρησιμοποιήτε δίσκο κοπής για πλευρικό τρύχισμα.

- Σιγουρευτείτε ότι οι σπινθήρες από τη χρήση δεν δημιουργούν κινδύνους, π.χ. δεν χτυπούν ανθρώπους ή πυροδοτούν εύφλεκτες ουσίες.

- Σιγουρευτείτε ότι τα ανοίγματα αερισμού είναι ελεύθερα όταν εργάζεστε σε συνθήκες σκονισμένη, εάν χρειαστεί να αφαιρέστε σκόνη, πρώτα αποσυνδέστε το εργαλείο από το ρεύμα (μη χρησιμοποιήτε μεταλλικά αντικείμενα) και προσέξτε να μη προξενήστε ζημιά στα εσωτερικά μέρη.

- Πάντα να χρησιμοποιήτε προστασία για τα μάτια και τα αυτιά. Άλλοι προστατευτικοί εξοπλισμοί όπως μάσκα σκόνης, γάντια, κράνος και ποδιά θα πρέπει να χρησιμοποιούνται.

- Προσέξτε τον δίσκο που συνεχίζει να περιστρέφεται μετά το σβήσιμο του εργαλείου.

ΓΕΝΙΚΕΣ ΟΔΗΓΙΕΣ ΑΣΦΑΛΕΙΑΣ ΓΙΑ ΤΡΟΧΟΥΣ

- Ελέγξτε η ένδειξη ταχύτητας του δίσκου να είναι ίση ή μεγαλύτερη από την ένδειξη ταχύτητας του τροχού.
- Σιγουρευτείτε ότι οι διαστάσεις του δίσκου είναι συμβατές με τον τροχό.
- Οι δίσκοι λειάνσεως πρέπει να φυλάσσονται και χειρίζονται με προσοχή σύμφωνα με τις οδηγίες του κατασκευαστή.
- Ελέγξτε τον δίσκο πριν τη χρήση, μη χρησιμοποιήτε σπασμένα, ραγισμένα ή με άλλο τρόπο ελαττωματικά προϊόντα.
- Σιγουρευτείτε ότι τοποθετημένοι δίσκοι και οι σημάδεις έχουν προσαρμοστεί σύμφωνα με τις οδηγίες του κατασκευαστή.

ΤΕΧΝΙΚΑ ΧΑΡΑΚΤΗΡΙΣΤΙΚΑ

Μοντέλο		G12SA3	G13SB3
Τάση (ανά περιοχές)*		(110V, 230V, 240V) ~	
Ισχύς εισόδου*		1300 W	
Ταχύτητα χωρίς φορτίο*		11000 min ⁻¹	
Τροχός	Εξωτερική διάμετρος × διάμετρος τρύπας	115 × 22 mm	125 × 22 mm
	Περιφερειακή ταχύτητα	80 m/s	
Βάρος (Μόνο του κυρίου μέρους)		1,9 kg	

* Βεβαιωθείτε να ελέγξετε την πινακίδα στο προϊόν επειδή υπόκεινται σε αλλαγή σε εξάρτηση από την περιοχή.

ΚΑΝΟΝΙΚΑ ΕΞΑΡΤΗΜΑΤΑ

- (1) Χαμηλωμένοι κεντρικά τροχός 1
 (2) Κλειδί 1
 (3) Πλευρική λαβή 1
 Τα κανονικά εξαρτήματα υπόκεινται σε αλλαγή χωρίς προειδοποίηση.

ΕΦΑΡΜΟΓΕΣ

- Αφαίρεση των υλικών που παραμένουν στις οπές χυτών αντικειμένων και τελειώματα διάφορων τύπων ατσάλιου, χαλκού και υλικών αλουμινίου και χυτών υλικών.
- Λείανση ηλεκτροκολλημένων τμημάτων ή τμημάτων που έχουν κοπεί από φλόγιστρο.
- Λείανση συνθετικών ρητινών, σχιστόλιθο, τούβλο, μάρμαρο κλπ.

- Κόψιμο συνθετικού τσιμέντου, πέτρας, τούβλου, μάρμαρου και παρόμοιων υλικών.

ΠΡΙΝ ΤΗ ΛΕΙΤΟΥΡΓΙΑ

1. Πηγή ρεύματος

Βεβαιωθείτε ότι η πηγή ρεύματος που πρόκειται να χρησιμοποιηθεί είναι εναρμονιομένη με τις απαιτήσεις σε ρεύμα που αναφέρεται στην πινακίδα του εργαλείου.

2. Διακόπτης ρεύματος

Βεβαιωθείτε ότι ο διακόπτης ρεύματος βρίσκεται στη θέση OFF. Αν το βίσμα είναι στη μπρίζα καθώς ο διακόπτης ρεύματος βρίσκεται στο ON, το εργαλείο θα αρχίσει να λειτουργεί αμέσως, με πιθανότητα πρόκλησης σοβαρού ατυχήματος.

3. Καλώδιο προέκτασης

Όταν ο χώρος εργασίας βρίσκεται μακριά από την παροχή ρεύματος. Χρησιμοποιήστε ένα καλώδιο προέκτασης με κατάλληλο πάχος και ικανότητα μεταφοράς ρεύματος. Το καλώδιο προέκτασης πρέπει να είναι τόσο κοντό όσο είναι πρακτικά δυνατό.

4. Τοποθέτηση και ρύθμιση του προφυλακτήρα του τροχού

Ο προφυλακτήρας του τροχού είναι μια προστατευτική συσκευή για την αποφυγή τραυματισμού στην περίπτωση που ο χαμηλωμένος κεντρικά τροχός θρυμματιστεί κατά την λειτουργία. Βεβαιωθείτε ότι ο προφυλακτήρας είναι κατάλληλα συνδεδεμένος και στερεωμένος πριν εκτελέσετε την λειτουργία της λείανσης. Ξεσφίγγοντας ελαφρά την ρυθμιστική βίδα, ο προφυλακτήρας του τροχού μπορεί να περιστραφεί και να ρυθμιστεί στην επιθυμητή γωνία για την εξασφάλιση της μέγιστης λειτουργικής απόδοσης. Βεβαιωθείτε ότι η ρυθμιστική βίδα είναι καλά σφικηνή μετά την ρύθμιση του προφυλακτήρα του τροχού.

[Στην περίπτωση του προφυλακτήρα του τροχού ο ποίος προσαρμόζεται χωρίς των ανάγκη εργαλείων] (Εικ. 3)

- Τοποθετήστε το σύστημα του τροχού στο στυπιοθλίπτη.
 - Σφίξτε την M5 βίδα για να στερεώσετε τον προφυλακτήρα του τροχού καθώς ο μοχλός βρίσκεται στην κλειστή θέση.
 - Πραγματοποιήστε την προσαρμογή του προφυλακτήρα του τροχού καθώς ο μοχλός έχει ελευθερωθεί. (Ξεσφίξτε την M5 βίδα και επαναπροσαρμόστε αν ο προφυλακτήρας του τροχού δεν περιστρέφεται ομαλά.)
 - Μετά την προσαρμογή, αν απαιτείται η λειτουργία λείανσης, εκτελέστε την λειτουργία μόνο αφού βάλετε τον μοχλό στην κλειστή θέση.
 - Λιπάνετε το ολισθαίνων τμήμα του κομματιού που εφαρμόζει (B) και του μοχλού αν ο μοχλός δεν μετακινείται ομαλά.
5. Βεβαιωθείτε ότι οι τροχοί στερέωσης και τα άκρα έχουν συνδεθεί σύμφωνα με τις οδηγίες του κατασκευστή.
- Βεβαιωθείτε ότι ο χαμηλωμένος κεντρικά τροχός, που πρόκειται να χρησιμοποιηθεί είναι το σωστού τύπου και χωρίς ραγίσματα και ατέλειες στην επιφάνεια. Επίσης βεβαιωθείτε ότι ο χαμηλωμένος κεντρικά τροχός έχει στερεωθεί κατάλληλα και το παξιμάδι του τροχού είναι σφικνένο με ασφάλεια.

Ανατρέξτε στο τμήμα "ΣΥΝΑΡΜΟΛΟΓΗΣΗ ΚΑΙ ΑΠΟΣΥΝΑΡΜΟΛΟΓΗΣΗ ΤΟΥ ΧΑΜΗΛΩΜΕΝΟΥ ΚΕΝΤΡΙΚΑ ΤΡΟΧΟΥ"

Βεβαιωθείτε ότι οι δίσκοι προστασίας του τροχού χρησιμοποιούνται όταν παρέχονται με το συκολλημένο λειαντικό προϊόν και όποτε απαιτούνται.

Μην χρησιμοποιήσετε ξεχωριστά εξαρτήματα ή προσαρμογείς για να προσαρμόσετε λειαντικούς τροχούς με μεγάλη τρύπα.

Για εργαλεία που προορίζονται να δέχονται τροχούς με σπείρωμα, βεβαιωθείτε ότι το σπείρωμα στο τροχό είναι αρκετά μακριά για να δεχτεί το μήκος του άξονα.

Μην χρησιμοποιείτε τροχούς κοπής για πλευρική λείανση.

6. Εκτέλεση δοκιμαστικής χρήσης

Βεβαιωθείτε ότι τα προϊόντα λείανσης είναι σωστά συνδεδεμένα και σφικνένα πριν από την χρήση και λειτουργήστε το εργαλείο χωρίς φορτίο για 30 δευτερόλεπτα σε μια ασφαλή θέση, σταματήστε αμέσως αν υπάρξει έντονη δόνηση ή αν παρουσιαστούν άλλες ανωμαλίες.

Αν αυτή η κατάσταση συμβεί, εξέγξτε το μηχάνημα για να ανακαλύψετε την αιτία.

7. Επιβεβαιώστε το κουμπί ώθησης

Βεβαιωθείτε ότι το κουμπί ώθησης δεν είναι ενεργοποιημένο πατώντας το κουμπί ώθησης δυο ή τρεις φορές πριν ξεκινήσετε το εργαλείο (Δείτε Εικ. 2).

8. Στερέωση της πλευρικής λαβής

Βιδώστε την πλευρική λαβή στο κάλυμμα των γραναζιών.

ΠΡΑΚΤΙΚΗ ΕΦΑΡΜΟΓΗ ΤΟΥ ΛΕΙΑΝΤΗ

1. Πίεση

Για την επιμήκυνση του χρόνου ζωής του μηχανήματος και την εξασφάλιση ενός τελειώματος πρώτης ποιότητας, είναι σημαντικό το μηχάνημα να μην υπερφορτώνεται με την άσκηση υπερβολικής πίεσης. Στις περισσότερες εφαρμογές μόνο το βάρος του μηχανήματος είναι αρκετό για μια αποτελεσματική λείανση. Η υπερβολική πίεση θα προκαλέσει την ελάττωση της περιστροφικής ταχύτητας, τελειώμα επιφάνειας κατώτερης ποιότητας, και υπερφόρτωση η οποία θα ελαττώσει τον χρόνο ζωής του μηχανήματος.

2. Γωνία λείανσης

Μην ακουμπήστε ολόκληρη την επιφάνεια του χαμηλωμένου κεντρικά τροχού στο υλικό το οποίο πρόκειται να λειανθεί. Όπως φαίνεται στην Εικ. 1 το μηχάνημα πρέπει να κρατιέται σε γωνία 15° – 30° έτσι ώστε η εξωτερική άκρη του χαμηλωμένου κεντρικά τροχού να εφάπτεται στο υλικό κατά την βέλτιστη γωνία.

3. Για την αποφυγή του σκαψίματος ενός καινούργιου χαμηλωμένου κεντρικά τροχού πάνω στο αντικείμενο εργασίας, η αρχική λείανση πρέπει να εκτελεστεί τραβώντας τον λειαντή πάνω στο αντικείμενο εργασίας προς το χρήστη (Εικ. 1 **διεύθυνση Β**). Αφότου το μπιστινό άκρο του χαμηλωμένου κεντρικά τροχού έχει κατάλληλα τριβεί, η λείανση μπορεί να πραγματοποιηθεί κατά την οποιαδήποτε κατεύθυνση.

4. Προφυλακτικά μέτρα αμέσως μετά το τέλος της λειτουργίας.

Ο τροχός συνεχίζει να περιστρέφεται αφότου το εργαλείο τεθεί εκτός λειτουργίας.

Μετά το κλείσιμο της μηχανής, μην το βάλετε κάτω πριν ο χαμηλωμένος κεντρικά τροχός σταματήσει τελείως. Εκτός από την αποφυγή σοβαρών ατυχημάτων, αυτό το μέτρο προφύλαξης θα ελαττώσει τη ποσότητα της σκόνης και τριμμάτων που προσροφώνται από το μηχάνημα.

ΠΡΟΣΟΧΗ

- Ελέγξτε αν το αντικείμενο εργασίας υποστηρίζεται κατάλληλα.
- Βεβαιωθείτε ότι τα ανοίγματα αερισμού διατηρούνται καθαρά κατά την διάρκεια της εργασίας σε σκοτισμένες περιοχές.
Αν είναι απαραίτητο να καθαρίσετε τη σκόνη, πρώτα αποσυνδέστε το εργαλείο από την παροχή ρεύματος (χρησιμοποιήστε μη μεταλλικά αντικείμενα) και αποφύγετε να προκαλέσετε ζημιά στα εσωτερικά τμήματα.
- Βεβαιωθείτε ότι οι σπίνες που προκαλούνται από τη χρήση δεν δημιουργούν κίνδυνο πχ δεν κτυπούν τους ανθρώπους, ή αναφλέγουν εύφλεκτα υλικά.
- Πάντοτε να φοράτε γυαλιά ασφαλείας και προστατευτικά αυτιών, χρησιμοποιήστε προσωπικό προστατευτικό εξοπλισμό όπως γάντια, ποδιά και κράνος όταν είναι απαραίτητο.
- Πάντοτε να χρησιμοποιείτε προστατευτικά ματιών και αυτιών.
Άλλος εξοπλισμός προσωπικής προστασίας όπως μάσκα σκόνης, γάντια, κράνος και ποδιά πρέπει να χρησιμοποιείται όταν είναι απαραίτητο.
Αν βρίσκεστε σε αμφιβολία φορέστε τον προστατευτικό εξοπλισμό.
- Όταν το μηχάνημα δεν χρησιμοποιείται, η πηγή ηλεκτρικού ρεύματος πρέπει να αποσυνδέεται.

ΣΥΝΑΡΜΟΛΟΓΗΣΗ ΚΑΙ ΑΠΟΣΥΝΑΡΜΟΛΟΓΗΣΗ ΤΟΥ ΧΑΜΗΛΩΜΕΝΟΥ ΚΕΝΤΡΙΚΑ ΤΡΟΧΟΥ (Εικ. 2)

ΠΡΟΣΟΧΗ: Βεβαιωθείτε να κλείσετε και να αποσυνδέσετε τον υποδοχέα από την πρίζα για την αποφυγή σοβαρού ατυχήματος.

1. Συναρμολόγηση (Εικ. 2)

- (1) Γυρίστε το λειαντή ανάποδα έτσι ώστε ο άξονας να βλέπει προς τα επάνω.
- (2) Ταιριάστε το διάκενο της ροδέλας του τροχού με το εντετμημένο τμήμα του άξονα, μετά συνδέστε τα.
- (3) Εφαρμόστε το προεξέχων τμήμα του χαμηλωμένου κεντρικά τροχού πάνω στη ροδέλα του τροχού.
- (4) Βιδώστε το παξιμάδι του τροχού πάνω στον άξονα.
- (5) Καθώς σπρώχνεται το κουμπί ώθησης με το ένα χέρι, ασφαλίστε τον άξονα περιστρέφοντας τον χαμηλωμένο κεντρικά τροχό αργά με το άλλο χέρι. Σφίξτε το παξιμάδι του τροχού χρησιμοποιώντας το παρεχόμενο κλειδί όπως φαίνεται στην **Εικ. 2**.

2. Αποσυναρμολόγηση

Ακολουθήστε τις παραπάνω διαδικασίες αντίστροφα.

ΠΡΟΣΟΧΗ

- Επιβεβαιώστε ότι ο χαμηλωμένος κεντρικά τροχός έχει στερεωθεί καλά.
- Επιβεβαιώστε ότι το κουμπί ώθησης έχει απεμπλακεί από πωχνωντάς του δυο ή τρεις φορές πριν την εκκίνηση του ηλεκτρικού εργαλείου.

ΣΥΝΤΗΡΗΣΗ ΚΑΙ ΕΛΕΓΧΟΣ

1. **Έλεγχος του χαμηλωμένου κεντρικά τροχού**
Βεβαιωθείτε ότι ο χαμηλωμένος κεντρικά τροχός δεν έχει ραγίσματα ή ατέλειες στην επιφάνεια.
2. **Έλεγχος των θιδών στερέωσης**
Ελέγχετε περιοδικά όλες τις βίδες στερέωσης και βεβαιωθείτε ότι είναι κατάλληλα σφινγμένες. Στην περίπτωση που χαλαρώσει οποιαδήποτε βίδα σφίξτε την ξανά αμέσως. Αν δεν το κάνετε αυτό μπορεί να έχει ως αποτέλεσμα το σοβαρό τραυματισμό.
3. **Έλεγχος στα καρβουνάκια (Εικ. 4).**
Το μοτέρ χρησιμοποιεί καρβουνάκια τα οποία είναι αναλώσιμα μέρη. Επειδή ένα υπερβολικά φθαρμένο καρβουνάκι μπορεί να προκαλέσει πρόβλημα στο μοτέρ αντικαταστήστε το καρβουνάκι με καινούργιο το οποίο έχει τον ίδιο Αριθμό Άνθρακα που φαίνεται στην εικόνα όταν φθαρεί ή όταν φτάσει στο όριο φθοράς. Επιπρόσθετα, πάντοτε κρατάτε τα καρβουνάκια καθαρά και εξασφαλίστε ότι ολισθαίνουν ελεύθερα ανάμεσα στις θήκες.

4. Αντικατάσταση των καρβουνακίων (Εικ. 5).

<Αποσυναρμολόγηση>

- (1) Χαλαρώστε την D4 αυτόματα προσαρμοζόμενη βίδα που κρατάει το πίσω κάλυμμα και βγάλτε το πίσω κάλυμμα.
- (2) Χρησιμοποιήστε το βοηθητικό εξ. κλειδί ή ένα μικρό κατσαβίδι για να τραβήξετε το άκρο του ελατηρίου που κρατά κάτω το καρβουνάκι. Αφαιρέστε το άκρο του ελατηρίου προς το εξωτερικό της θήκης του καρβουνακίου.
- (3) Αφαιρέστε το άκρο της ψύκτρας στο καρβουνάκι από το τερματικό τμήμα της θήκης του καρβουνακίου και μετά αφαιρέστε το καρβουνάκι από την θήκη του καρβουνακίου.

<Συναρμολόγηση>

- (1) Βάλτε το άκρο της ψύκτρας του καρβουνακίου στο τερματικό τμήμα της θήκης του καρβουνακίου.
- (2) Βάλτε το καρβουνάκι στην θήκη του καρβουνακίου.
- (3) Χρησιμοποιήστε το βοηθητικό εξ. κλειδί ή ένα μικρό κατσαβίδι για να επιστρέψετε το άκρο του ελατηρίου στο πάνω μέρος του καρβουνακίου.
- (4) Στερεώστε το πίσω κάλυμμα και σφίξτε την D4 αυτόματα προσαρμοζόμενη βίδα.

5. Συντήρηση του μοτέρ

Η περιέλιξη της μονάδα του μοτέρ είναι η καρδιά του ηλεκτρικού εργαλείου. Δώστε μεγάλη προσοχή για να σιγουρευτείτε ότι η περιέλιξη δεν θα πάθει ζημιά και / ή θα βρεχθεί με λάδι ή νερό.

6. Λίστα συντήρησης των μερών

- A: Αρ. Αντικειμένου
- B: Αρ. Κωδικού
- C: Αρ. που χρησιμοποιήθηκε
- D: Παρατηρήσεις

ΠΡΟΣΟΧΗ

Η επισκευή, η τροποποίηση και ο έλεγχος των Ηλεκτρικών Εργαλείων Hitachi πρέπει να γίνεται από ένα Εξουσιοδοτημένο κέντρο σέρβις της Hitachi.

Αυτή η λίστα των Μερών θα είναι χρήσιμη αν παρουσιάσει μαζί με το εργαλείο στο εξουσιοδοτημένο Κέντρο Σέρβις της Hitachi όταν ζητάτε επισκευή ή κάποια άλλη συντήρηση. Κατά τον έλεγχο και τη συντήρηση των ηλεκτρικών εργαλείων, οι κανόνες ασφαλείας και οι κανονισμοί που υπάρχουν σε κάθε χώρα πρέπει να ακολουθούνται.

ΤΡΟΠΟΠΟΙΗΣΗ

Τα Ηλεκτρικά Εργαλεία Hitachi βελτιώνονται συνεχώς και τροποποιούνται για να συμπεριλάβουν τις τελευταίες τεχνολογικές προόδους.

Κατά συνέπεια, ορισμένα τμήματα (δηλ. κωδικοί αριθμοί και / ή σχεδιασμός) μπορούν να αλλάξουν χωρίς προηγούμενη ειδοποίηση.

ΕΓΓΥΗΣΗ

Εγγυώμαστε τα εργαλεία Hitachi Power Tools σύμφωνα με τη νομοθεσία και τους κανονισμούς ανά χώρα. Η παρούσα εγγύηση δεν καλύπτει ελαττώματα ή ζημιές λόγω κακής χρήσης, κακοποίησης ή φυσιολογικής φθοράς. Σε περίπτωση παραπόνων παρακαλούμε αποστείλετε το Power Tool χωρίς να το αποσυναρμολογήσετε μαζί με το ΠΙΣΤΟΠΟΙΗΤΙΚΟ ΕΓΓΥΗΣΗΣ το οποίο βρίσκεται στο τέλος των οδηγιών αυτών, σε Εξουσιοδοτημένο Κέντρο Επισκευής της Hitachi.

ΣΗΜΕΙΩΣΗ

Εξαιτίας του συνεχιζόμενου προγράμματος έρευνας και ανάπτυξης της Hitachi τα τεχνικά χαρακτηριστικά που εδώ αναφέρονται μπορούν να αλλάξουν χωρίς προηγούμενη ειδοποίηση.

Πληροφορίες που αφορούν τον εκπεμπόμενο θόρυβο και τη δόνηση.

Οι τιμές μετρήθηκαν σύμφωνα με το EN60745 και βρέθηκαν σύμφωνες με το ISO 4871.

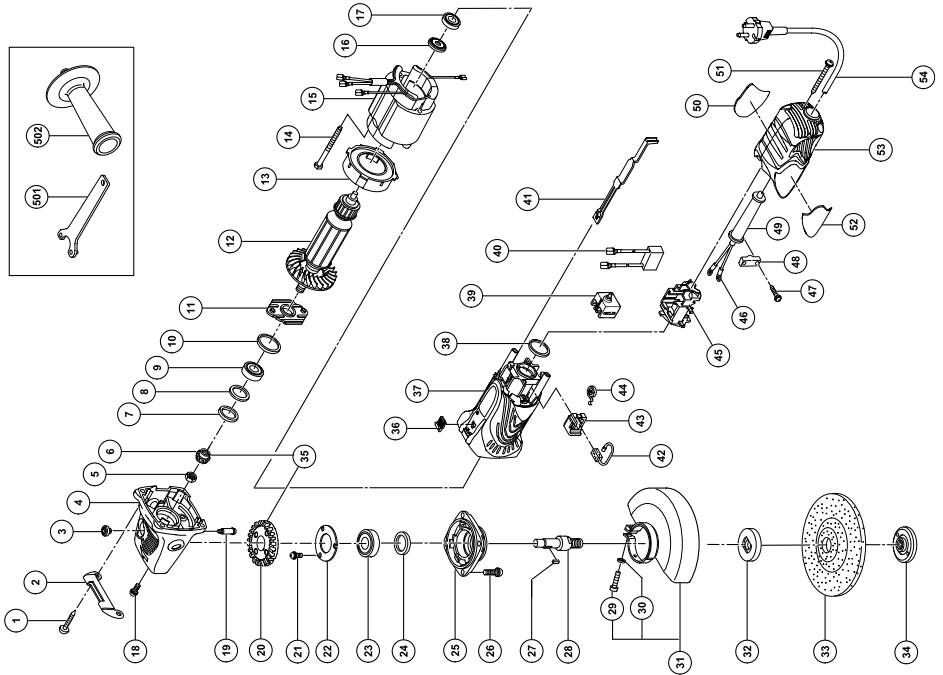
Μετρηθείσα τυπική στάθμη ηχητικής ισχύος A: 97 dB (A)
Μετρηθείσα τυπική στάθμη ηχητικής πίεσης A: 86 dB (A)
Αβεβαιότητα KpA: 3 dB (A)

Φοράτε προστατευτικά αυτιών.

Μια τυπική τιμή ρίζας μέσης τετραγωνικής επιτάχυνσης: 4,0 m/s².

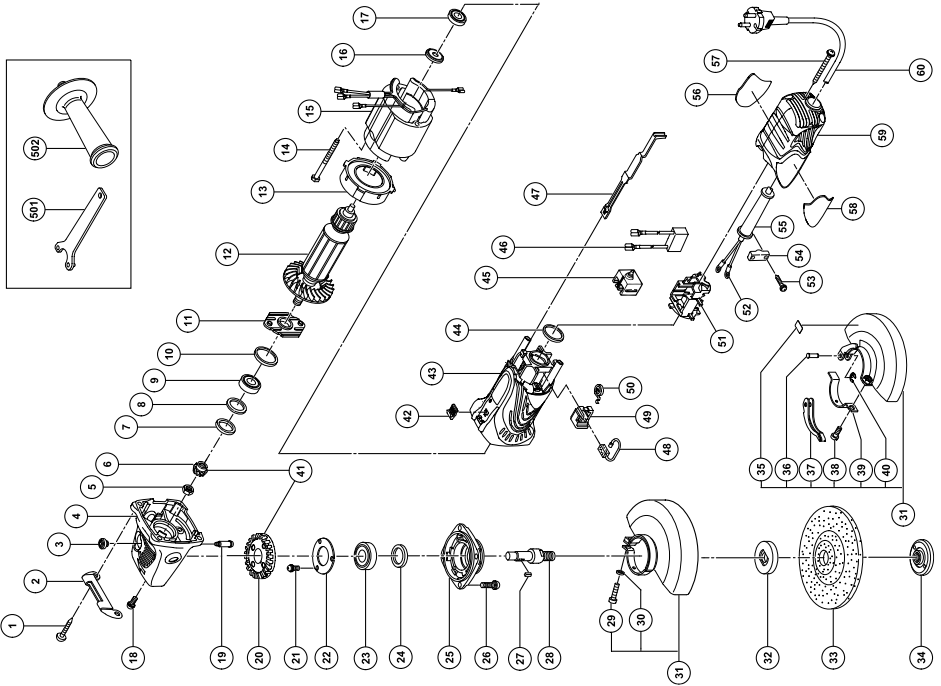
Κατά τη χρήση της πρόσθετης λαβής με απόσβεση κραδασμών, ο κραδασμός χεριών/ βραχιόνων από τη χρήση του εργαλείου είναι τυπικά χαμηλότερος από 2,5 m/s².

G12SA3

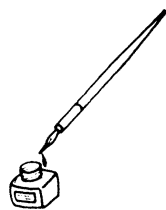


A	B	C	D
1	320-523	4	D5 × 25
2	325-053	1	
3	301-944	1	
4	321-737	1	"3, 19"
5	949-558	1	M8
6	308-541	1	
7	308-543	1	
8	980-866	1	
9	629-T12	1	629T12DDC3PS2-L
10	957-754	1	
11	321-734	1	
12	360-734E	1	230V - 240V
13	321-732	1	
14	982-021	2	D4 × 70
15-1	340-645E	1	230V
15-2	340-645F	1	240V
16	315-877	1	
17	608-VVM	1	608VVC2PS2L
18	303-255	2	M4 × 10
19	301-943	1	
20	321-736	1	
21	991-207	3	M4 × 8
22	936-680	1	
23	620-1DD	1	6201DDCMP2L
24	308-546	1	
25	308-545	1	
26	307-046	4	M5 × 16
27	944-109	1	3 × 3 × 8
28	994-301	1	
29	949-241	1	M5 × 20
30	949-454	1	M5
31	319-656	1	"29, 30"
32	937-928Z	1	
33	316-821	1	115MM A360
34	994-324	1	M14
35	321-735	1	"6, 20"
36	314-428	1	
37	325-050	1	
38	321-733	1	
39	319-319	1	
40	325-055	1	
41	325-051	1	
42	999-088	2	
43	317-810	2	
44	308-536	2	
45	325-054	1	
46	980-063	2	D4 × 16
47	984-750	2	
48	937-631	1	
49	953-327	1	
50	_____	1	
51	301-815	2	D4 × 45
52	325-058	1	
53	325-052	1	
54	_____	1	
501	938-332Z	1	
502-1	994-322	1	
502-2	325-496	1	

G13SB3



A	B	C	D
1	320-523	4	D5 x 25
2	325-053	1	
3	301-944	1	
4	321-737	1	"3, 19"
5	949-558	1	
6	308-541	1	
7	308-543	1	
8	980-866	1	
9	629-T12	1	629T12DDC3PS2L
10	957-754	1	
11	321-734	1	
12-1	360-734C	1	110V
12-2	360-734E	1	230V - 240V
13	321-732	1	
14	982-021	2	D4 x 70
15-1	340-645C	1	110V
15-2	340-645E	1	230V
15-3	340-645F	1	240V
16	315-877	1	
17	608-VVM	1	608VVC2PS2L
18	303-255	2	M4 x 10
19	301-943	1	
20	321-736	1	
21	991-207	3	M4 x 8
22	936-660	1	
23	620-1DD	1	6201DDCPS2L
24	308-546	1	
25	308-545	1	
26	307-046	4	M5 x 16
27	944-109	1	3 x 3 x 8
28	994-301	1	M5 x 20
29	949-241	1	M5
30	949-454	1	"29, 30"
31-1	320-192	1	"35-40"
31-2	311-742	1	"35-40"
32	937-817Z	1	TIA, FRG, BEL, FRA, ESP, HOL"
33	316-821	1	125MM A36Q
34	994-324	1	M14
35	311-492	1	TIA, FRG, BEL, FRA, ESP, HOL"
36	311-744	1	TIA, FRG, BEL, FRA, ESP, HOL"
37	311-743	1	TIA, FRG, BEL, FRA, ESP, HOL"
38	880-734	1	M5 x 25
39	311-491	1	TIA, FRG, BEL, FRA, ESP, HOL"
40	874-759	1	TIA, FRG, BEL, FRA, ESP, HOL"
41	321-735	1	TIA, FRG, BEL, FRA, ESP, HOL"
42	314-428	1	"6, 20"
43	325-050	1	
44	321-733	1	
45	319-319	1	
46-1	325-055	1	"GBR(110V)"
47	325-051	1	
48	999-088	2	
49	317-810	2	
50	308-536	2	
51	325-054	1	
52	980-063	2	D4 x 16
53	984-750	2	
54	937-631	1	
55	953-327	1	
56		1	
57	301-815	2	D4 x 45
58	325-058	1	
59	325-052	1	
60		1	
	501 938-332Z	1	
	502-1 994-322	1	"AUT, SUI"
	502-2 956-633	1	
	502-3 325-496	1	



<p>English</p> <p align="center"><u>GUARANTEE CERTIFICATE</u></p> <ol style="list-style-type: none"> ① Model No. ② Serial No. ③ Date of Purchase ④ Customer Name and Address ⑤ Dealer Name and Address (Please stamp dealer name and address) 	<p>Nederlands</p> <p align="center"><u>GARANTIEBEWIJS</u></p> <ol style="list-style-type: none"> ① Modelnummer ② Serienummer ③ Datum van aankoop ④ Naam en adres van de gebruiker ⑤ Naam en adres van de handelaar (Stempel a.u.b. naam en adres vande de handelaar)
<p>Deutsch</p> <p align="center"><u>GARANTIESCHEIN</u></p> <ol style="list-style-type: none"> ① Modell-Nr. ② Serien-Nr. ③ Kaufdatum ④ Name und Anschrift des Kunden ⑤ Name und Anschrift des Händlers (Bitte mit Namen und Anschrift des Handlers abstempeln) 	<p>Español</p> <p align="center"><u>CERTIFICADO DE GARANTIA</u></p> <ol style="list-style-type: none"> ① Número de modelo ② Número de serie ③ Fecha de adquisición ④ Nombre y dirección del cliente ⑤ Nombre y dirección del distribuidor (Se ruega poner el sellú del distribuidor con su nombre y dirección)
<p>Français</p> <p align="center"><u>CERTIFICAT DE GARANTIE</u></p> <ol style="list-style-type: none"> ① No. de modèle ② No. de série ③ Date d'achat ④ Nom et adresse du client ⑤ Nom et adresse du revendeur (Cachet portant le nom et l'adresse du revendeur) 	<p>Português</p> <p align="center"><u>CERTIFICADO DE GARANTIA</u></p> <ol style="list-style-type: none"> ① Número do modelo ② Número do série ③ Data de compra ④ Nome e morada do cliente ⑤ Nome e morada do distribuidor (Por favor, carimbe o nome e morada do distribuidor)
<p>Italiano</p> <p align="center"><u>CERTIFICATO DI GARANZIA</u></p> <ol style="list-style-type: none"> ① Modello ② N° di serie ③ Data di acquisto ④ Nome e indirizzo dell'acquirente ⑤ Nome e indirizzo del rivenditore (Si prega di apporre il timbro con questi dati) 	<p>Ελληνικά</p> <p align="center"><u>ΠΙΣΤΟΠΟΙΗΤΙΚΟ ΕΓΓΥΗΣΗΣ</u></p> <ol style="list-style-type: none"> ① Αρ. Μοντέλου ② Αύξων Αρ. ③ Ημερομηνία αγοράς ④ Ονομα και διεύθυνση πελάτη ⑤ Ονομα και διεύθυνση μεταπωλητή (Παρακαλούμε χρησιμοποιηθεί σφραγίδα)



HITACHI

①	
②	
③	
④	
⑤	



Hitachi Power Tools Europe GmbH

Siemensring 34, 47877 Willich 1, F. R. Germany
Tel: +49 2154 49930
Fax: +49 2154 499350
URL: <http://www.hitachi-powertools.de>

Hitachi Power Tools Netherlands B. V.

Brabanthaven 11, 3433 PJ Nieuwegein, The Netherlands
Tel: +31 30 6084040
Fax: +31 30 6067266
URL: <http://www.hitachi-powertools.nl>

Hitachi Power Tools (U. K.) Ltd.

Precedent Drive, Rooksley, Milton Keynes, MK 13, 8PJ, United Kingdom
Tel: +44 1908 660663
Fax: +44 1908 606642
URL: <http://www.hitachi-powertools.co.uk>

Hitachi Power Tools France S. A. S.

Prac del' Eglantier 22, rue des Crerisiers Lisses, C. E. 1541,
91015 EVRY CEDEX, France
Tel: +33 1 69474949
Fax: +33 1 60861416
URL: <http://www.hitachi-powertools.fr>

Hitachi Power Tools Belgium N.V. / S.A.

Koningin Astridlaan 51, 1780 Wommel, Belgium
Tel: +32 2 460 1720
Fax: +32 2 460 2542
URL <http://www.hitachi-powertools.be>

Hitachi Fercad Power Tools Italia S.p.A



Via Retrone 49-36077, Altavilla Vicentina (VI), Italy
Tel: +39 0444 548111
Fax: +39 0444 548110
URL: <http://www.hitachi-powertools.it>

Hitachi Power Tools Iberica, S.A.

C / Migjorn, s/n, Poligono Norte, 08226 Terrassa, Barcelona, Spain
Tel: +34 93 735 6722
Fax: +34 93 735 7442
URL: <http://www.hitachi-powertools.es>

Hitachi Power Tools Österreich GmbH

Str. 7, Objekt 58/A6, Industriezentrum NÖ –Süd 2355
Wiener Neudorf, Austria
Tel: +43 2236 64673/5
Fax: +43 2236 63373

<p>English</p> <p>EC DECLARATION OF CONFORMITY</p> <p>We declare under our sole responsibility that this product is in conformity with standards or standardized documents EN60745, EN55014 and EN61000 in accordance with Council Directives 2004/108/EC and 98/37/EC. This product also complies with the essential requirements of 2006/42/EC to be applied from 29 December 2009 instead of 98/37/EC. The European Standards Manager at Hitachi Koki Europe Ltd. is authorized to compile the technical file.</p> <p>This declaration is applicable to the product affixed CE marking.</p>	<p>Nederlands</p> <p>EC VERKLARING VAN CONFORMITEIT</p> <p>Wij verklaren onder eigen verantwoordelijkheid dat dit product conform de richtlijnen of gestandaardiseerde documenten EN60745, EN55014 en EN61000 voldoet aan de eisen van EEG Bepalingen 2004/108/EC en 98/37/EC. Dit product voldoet ook aan de essentiële vereisten van 2006/42/EC toegepast vanaf december 2009, in plaats van 98/37/EC.</p> <p>De manager voor Europese normen van Hitachi Koki Europe Ltd. heeft de bevoegdheid tot het samenstellen van het technische bestand.</p> <p>Deze verklaring is van toepassing op producten voorzien van de CE-markering.</p>
<p>Deutsch</p> <p>ERKLÄRUNG ZUR KONFORMITÄT MIT CE-REGELN</p> <p>Wir erklären mit alleiniger Verantwortung, daß dieses Produkt den Standards oder standardisierten Dokumenten EN60745, EN55014 und EN61000 in Übereinstimmung mit den Direktiven des Europarats 2004/108/CE und 98/37/CE entspricht. Dieses Produkt entspricht auch den wesentlichen Anforderungen der Richtlinie 2006/42/CE, die ab 29. Dezember 2009 statt 98/37/CE in Kraft ist. Der Manager für europäische Standards bei der Hitachi Koki Europe Ltd. ist zum Verfassen der technischen Datei befugt.</p> <p>Diese Erklärung gilt für Produkte, die die CE-Markierung tragen.</p>	<p>Español</p> <p>DECLARACIÓN DE CONFORMIDAD DE LA CE</p> <p>Declaramos bajo nuestra única responsabilidad que este producto está de acuerdo con las normas o con los documentos de normalización EN60745, EN55014 y EN61000, según indican las Directrices del Consejo 2004/108/CE y 98/37/CE. Este producto también cumple con los requisitos esenciales de 2006/42/CE aplicables desde el 29 de diciembre de 2009 en lugar de 98/37/CE.</p> <p>El Jefe de Normas Europeas de Hitachi Koki Europe Ltd. está autorizado para recopilar archivos técnicos.</p> <p>Esta declaración se aplica a los productos con marcas de la CE.</p>
<p>Français</p> <p>DECLARATION DE CONFORMITE CE</p> <p>Nous déclarons sous notre seule et entière responsabilité que ce produit est conforme aux normes ou documents normalisés EN60745, EN55014 et EN61000 en accord avec les Directives 2004/108/CE et 98/37/CE du Conseil. Ce produit est également conforme aux exigences essentielles de 2006/42/CE applicables à compter du 29 Décembre 2009 en lieu et place de celle de 98/37/CE.</p> <p>Le responsable des normes européennes d'Hitachi Koki Europe Ltd. est autorisé à compiler les données techniques.</p> <p>Cette déclaration s'applique aux produits désignés CE.</p>	<p>Português</p> <p>DECLARAÇÃO DE CONFORMIDADE CE</p> <p>Declaramos, sob nossa única e inteira responsabilidade, que este produto está de acordo com as normas ou documentos normativos EN60745, EN55014 e EN61000, em conformidade com as Diretrizes 2004/108/CE e 98/37/CE do Conselho. Este produto também está em conformidade com os requisitos essenciais da 2006/42/CE, a serem aplicados a partir de 29 de Dezembro de 2009 em substituição da 98/37/CE.</p> <p>O Gestor de Normas Europeias da Hitachi Koki Europe Ltd. está autorizado a compilar o ficheiro técnico.</p> <p>Esta declaração se aplica aos produtos designados CE.</p>
<p>Italiano</p> <p>DICHIARAZIONE DI CONFORMITÀ CE</p> <p>Si dichiara sotto nostra responsabilità che questo prodotto è conforme agli standard o ai documenti standardizzati EN60745, EN55014 e EN61000 conforme alle direttive 2004/108/CE e 98/37/CE del concilio. Questo prodotto è conforme anche ai requisiti 2006/42/CE vigenti a partire dal 29 dicembre 2009 invece dei requisiti 98/37/CE.</p> <p>Il Responsabile delle Norme Europee di Hitachi Koki Ltd. è autorizzato a compilare la scheda tecnica.</p> <p>Questa dichiarazione è applicabile ai prodotti cui sono applicati i marchi CE.</p>	<p>Ελληνικά</p> <p>ΕΚ ΔΗΛΩΣΗ ΕΝΑΡΜΟΝΙΣΜΟΥ</p> <p>Δηλώνουμε με απόλυτη υπευθυνότητα ότι αυτό το προϊόν είναι εναρμονισμένο με τα πρότυπα ή τα έγγραφα προτύπων EN60745, EN55014 και EN61000 σε συμφωνία με τις Οδηγίες του Συμβουλίου 2004/108/ΕΚ και 98/37/ΕΚ. Αυτό το προϊόν επίσης ανταποκρίνεται στις θεμελιώδεις απαιτήσεις της οδηγίας 2006/42/ΕΚ προς εφαρμογή από 29 Δεκεμβρίου 2009 αντί της 98/37/ΕΚ.</p> <p>Ο υπεύθυνος για τα ευρωπαϊκά πρότυπα στην Hitachi Koki Europe Ltd. είναι εξουσιοδοτημένος να συντάσσει τον τεχνικό φάκελο.</p> <p>Αυτή η δήλωση ισχύει στο προϊόν με το σημάδι CE.</p>
<p>Representative office in Europe Hitachi Power Tools Europe GmbH Siemensring 34, 47877 Willich 1, F. R. Germany</p> <p>Technical file at: Hitachi Koki Europe Ltd. Clonshaugh Business & Technology Park, Dublin 17, Ireland</p> <p>Head office in Japan Hitachi Koki Co., Ltd. Shinagawa Intercity Tower A, 15-1, Konan 2-chome, Minato-ku, Tokyo, Japan</p> <div style="text-align: right;">  <p>30. 11. 2009</p>  <p>K. Kato Board Director</p> </div>	