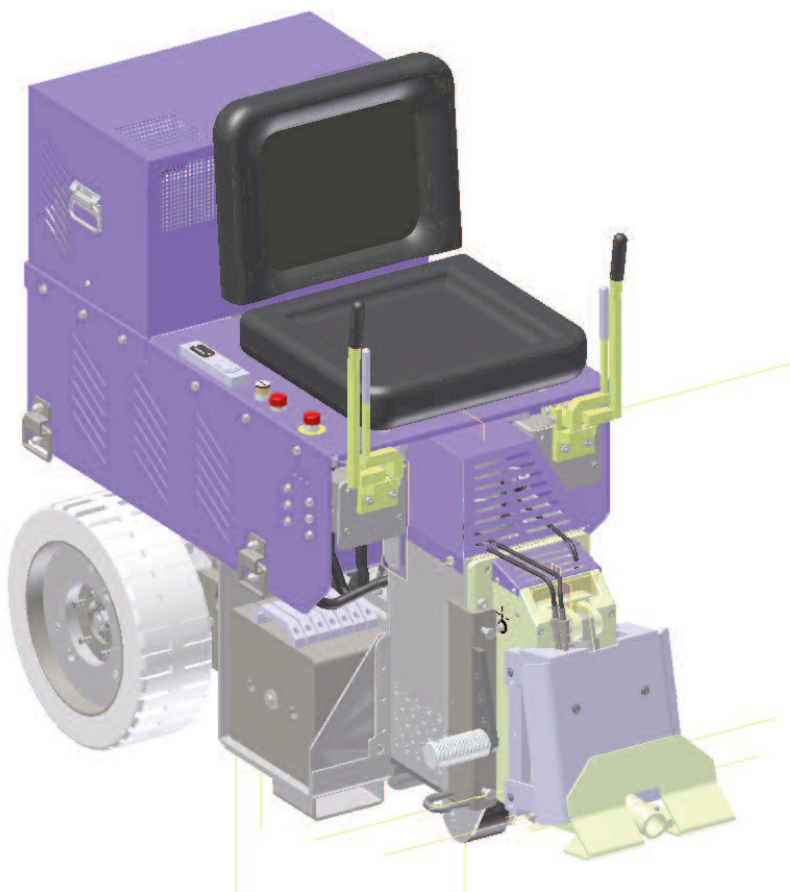


USER INSTRUCTIONS

Ride-on ADB *All-Day-Battery*

111 458 000



janser
PROFESSIONELLE
FUSSBODENTECHNIK

Janser GmbH

Böblinger Straße 91

71139 Ehningen

GERMANY

Phone +49 / 7034 / 127-0

Fax +49 / 7034 / 8838

E-mail: info@janser.com

Internet: www.janser.com

TABLE OF CONTENTS

<u>1</u>	<u>SAFETY</u>		
	1.1	Manual	4
	1.2	Explanations of symbols and instructions	4
	1.3	Intended use	5
	1.4	Owner's obligations	5
	1.5	Operating personnel	6
	1.6	Personal protective equipment	7
	1.7	Signage	7
	1.8	Safety installations	8
	1.9	Occupational safety and special risks	9-12
<u>2</u>	<u>Product information</u>		
	2.1	Technical Description	13
	2.2	Technical Specifications	13
	2.3	Insertable tools, accessories	14
<u>3</u>	<u>Start-up</u>		
	3.1	Initial start-up	15
	3.2	Operation and control devices	16 - 17
	3.3	Starting procedure	18
	3.4	Machine settings	19-20
<u>4</u>	<u>Operation</u>		
	4.1	Removing techniques	21
	4.2	Application	22 - 23
	4.3	Secure work area	24
	4.4	Center of gravity	25
	4.5	Charging	26
<u>5</u>	<u>Transport</u>		
	5.1	Preparing transport	27
	5.2	Loading/unloading	28 - 29
<u>6</u>	<u>Maintenance</u>		
	6.1	Sharpen blades	30

1 SAFETY

1.1 Manual

This manual guarantees the safe and efficient use of the machine. This manual is part of the machine and has to always be kept near the machine and be accessible for the operating personnel at all times.

The operating personnel have to have carefully read and understood this manual before any work commences. Prerequisite for safe working is the compliance with all the safety and handling instructions in this manual.

Furthermore, the local accident prevention regulations and the general safety conditions for the use of the machine are applicable.

Illustrations in this manual are for the purpose of explanation and may differ from the actual design of the machine.

When passing the machine on to third parties this manual must be included.

All of the instructions and technical specifications in this manual have been written in compliance with current technical norms and regulations together with our many years of knowledge and experience.

In the following cases the manufacturer does not accept any liability:

- Non-compliance with these instructions
- Improper use
- Operation by untrained personnel
- Unauthorized modifications
- Technical modifications
- Use of unauthorized replacement parts

1.2 Explanations of symbols and instructions

Safety instructions in this manual are marked by symbols. Instructions are introduced by signal words which express the scale of the hazard.

It is essential that these instructions are adhered to and the machine is operated with caution to avoid accidents, injuries and material damage.



WARNING!

...indicates a potentially dangerous situation which if not avoided can lead to death or serious injuries.



CAUTION!

...indicates a potentially dangerous situation which if not avoided can lead to minor or light injuries.



PROHIBITION!

...indicates an immediate dangerous situation which if not avoided can lead to death or serious injuries.



ADVICE!

...emphasizes tips and recommendations as well as information for efficient and failure-free operation.

1 SAFETY

1.3

Intended use

The machine is used for the removal of all sorts of floorcoverings for example UPVC, linoleum, carpets, rubber floors as well as tiles, coatings, adhesives, parquet flooring and roof coverings!

The machine is NOT suited as tractor unit, load lifting unit or for demolition work.

This includes the compliance with the manufacturer's operating, maintenance and servicing conditions!

Any use beyond the intended use or other types of use is considered misuse.



WARNING! Danger due to misuse!

Misuse can lead to dangerous situations.

- Operation outside the specified limit values of the technical data.

- Bypassing or overriding of safety installations.
- Remodelling, refitting or changing the construction or individual parts with the intention to alter the area of application or use of the machine.
- Use of the machine when not in perfect technical condition.
- Use of the machine in potentially explosive areas.

Claims of any sort of damages following improper use.

1.4

Owner's obligations

The owner is a person who operates the machine for commercial or economic use or leaves it to a third person for use/application and during its use carries the legal responsibility for the protection of the user, personnel or a third person. The machine is used in the commercial sector. The owner of the machine is therefore obliged to comply with the legal responsibilities for health and safety.

The local regulations of the place of use as well as accident prevention measures of the local trade association must be adhered to.

It applies in particular that the owner:

- is informed about current health and safety regulations.
- determines during a risk assessment additional hazards which occur through specific working conditions on the operating site of the machine.
- implements in a job control statement the necessary compliance requirements for the operation of the machine on the operating site.
- regularly examines during the entire operating time that the operating instructions comply with the current status of regulations.
- that the operating instructions-if necessary- are adjusted to new regulations, standards and conditions of use.
- clearly regulates the responsibilities for the installation, operation, maintenance and cleaning of the machine.
- ensures that all staff working near or with the machine have read and understood the operating instructions. Furthermore he or she has to train all personnel in regular intervals and inform them about possible hazards.

Additionally the owner is responsible for:

- the impeccable condition of the machine.
- the servicing of the machine in the recommended maintenance intervals.
- the regular inspection of all safety installations ensuring that they are complete and in working order.

1 SAFETY

1.5 Operating personnel

QUALIFICATION

The different tasks described in this manual request various qualifications from the persons dealing with the machine.



WARNING! Danger for persons with insufficient qualifications!

Insufficiently qualified persons can not judge the risks when operating the machine and put themselves and others at risk of serious injuries or death.

- All work must only be performed by qualified personnel.
- Insufficiently qualified persons must be kept away from the operating area.

In this manual the necessary qualifications for the persons and the different tasks are listed:

OPERATOR:

the operator has been instructed by the owner and been given the assigned tasks and has been informed about the possible hazards in case of improper behaviour. Tasks which go beyond regular operation tasks can only be executed by the operator if listed in this manual and have been explicitly authorized by the owner.

TRAINED PERSONS

have been instructed by the owner and been given the assigned tasks and have been informed about the possible hazards in case of improper behaviour.

QUALIFIED PERSONNEL

Qualified personnel is able to carry out assigned tasks and recognize and avoid independently possible hazards given their specialist training, knowledge and experience as well as their knowledge of relevant norms and regulations.

MANUFACTURER

Certain work can only be carried out by trained personnel of the manufacturer. Other personnel are not authorized to carry out this work. Please contact our customer service for required work.

UNAUTHORIZED PERSONS

WARNING! Danger for unauthorized persons in the operating area!

- Unauthorized persons have to be kept away from the operating area.
- If in doubt remove persons from the operating area.
- Interrupt the work as long as unauthorized persons are in the operating area.



PROHIBITION! Persons with heart pacemakers!

Near the machine - especially during the start-up process - strong electromagnetic or magnetic fields are common, which can disrupt heart pacemakers or stop them from functioning. Persons with a heart pacemaker must not go near the machine.

INSTRUCTION

The owner of the machine has to regularly instruct all personnel. For better documentation an instruction protocol with the following minimum content has to be kept:

- date, content of the instruction
- name of the instructor
- signatures of the instructed and instructor

1 SAFETY

1.6 Personal protective equipment

When operating the machine personal protective clothing has to be worn in order to minimize health hazards.

The following protective clothing has to be worn by anybody in the operating area.



Protective work clothing.
Wear appropriate work clothing! Work clothing should fit tightly and loose garments should be avoided since they can get caught in the machine.



Protective gloves
Protective gloves to protect your hands when changing blades.



Ear protection + Protective goggles
Ear protection offers you protection from hearing damage through noise. Protective goggles protect your eyes from floor covering flying around.



Safety shoes
Safety shoes protect your feet from bruising and from sharp objects and from slipping on slippery ground.



Respirator mask
Dust can lead to breathing complaints. When working for a long time or on dusty ground a respirator mask has to be worn to protect your respiratory tract from dust and from small particles.

1.7 Signage



WARNING! Danger with illegible signage!

With time labels and signage can become dirty or illegible so that hazards can't be recognized and necessary instructions adhered to. This means an increased risk of injury.

- Keep all safety, warning and operating instructions always in legible condition.
- Damaged labels or signage has to be replaced immediately.

The following symbols and signs can be found in the operating area. They refer to the immediate area where they have been placed.

WARNINGS

sharp blade,
Wear protective gloves when changing blades



For maintenance work
remove key



danger of tipping
Max tilt



risk of injury
Keep safety distance



COMMANDMENTS



Read and understand the operating instructions



Wear ear protection and safety goggles



Wear appropriate work clothes



Wear safety shoes

1 SAFETY

1.8 Safety installations



WARNING! Danger through defective safety installations!

Defective or suspended safety installations can cause severe injuries and death.

- Before work can start all safety installations have to be inspected to see whether they are functioning properly and have been correctly installed.
- Never suspend safety methods or override them.
- Make sure that all safety methods are always accessible.

EMERGENCY STOP BUTTON with key switch

Pressing the emergency stop button the power supply or the mechanical drive of the machine is immediately interrupted.

After the emergency stop button has been pressed it has to be unlocked with the key in order to start the machine again.

Removing the key also shuts down the machine at the end of the work or a longer period of storage. Unauthorized operating is thus avoided!



WARNING! Risk of death through unintentional restart!

Unintentional restart of the machine can lead to serious injury and death.

- Before you switch the machine back on, ensure that the cause of the emergency stop has been eliminated and all safety installations have been installed and working properly.
- Only unlock the emergency stop when no more danger is present.
- When the machine is not in use remove key and keep in a place inaccessible to unauthorized persons.

Key switch

The machine can only be started with the appropriate key.

Safety seat switch

The machine can only be started with activated seat switch. The machine turns off as soon as you get off the seat.

Reversing signal

When reversing a warning sound is transmitted via the reversing signal switch.

Alarm horn

This is an acoustic signal to warn in dangerous situations and it is operated manually via a push button.

1 SAFETY

1.9

Occupational safety and special risks

The following paragraph explains residual risks which might be present even if the machine is used correctly.

To reduce the risk for persons and material damages and to avoid dangerous situations the listed safety information in this paragraph and in the remaining manual has to be adhered to.

Improper use



WARNING! Danger through improper use!

Make sure:

- Only use machine when in perfect technical condition. Defects are to be resolved immediately.
- Modifications to the machine are not permitted and can impair safety.
- Before regular maintenance, cleaning and repairs the power has to be switched off and secured against unintentional start-up (switch off drives).
- Never override or switch off safety installations.
- All work on the machine and/or its electrical components has to be carried out by trained personnel.
- Repair or maintenance work must only be carried out when the machine is switched off. The machine has to be secured against unintentional start-up.

Axis movements



WARNING! Danger of injury through axis movements!

Collision of persons with the machine or its tools can lead to severe injury.

Make sure:

- Unauthorized persons in the operating area are strictly prohibited!
- Safety installations and/or functions must not be switched off or overridden.
- Do not hold any body parts between moving components.
- Blades must only be changed when the machine is idle.
- Wear personal protective gear in the operating area.
- Assistants must always keep a safety distance of a minimum radius of 3 meters from the machine.

Removed materials



WARNING! Injuries through removed materials!

The removed floorcovering can fly around or be thrown around unexpectedly and cause serious injury.

Make sure:

- Wear face protection or fully closed and tight fitting goggles, protective clothing, protective gloves and safety shoes.
- Seek medical attention immediately if particles have entered your eyes.
- Assistants must always keep a safety distance of a minimum radius of 3 meters from the machine.

1 SAFETY

1.9 Occupational safety and special risks



Sharp edges and sharp corners

CAUTION! Danger of injury from sharp edges and sharp corners!
Sharp edges and sharp corners can scratch and cut into your skin.

Make sure:

- Be careful when working near sharp edges and sharp corners.
- Wear protective gloves when in doubt.



Insertion tools (knives/blades)

CAUTION! Danger of injury through improper use of tools!
Improper use of tools can cause bruising and cuts.

Make sure:

- Use tools carefully and as intended.
- Consider the weight of tools in transport.
- Wear protective gloves and safety shoes.



Working environment

CAUTION! Avoid dangerous conditions!

Do not operate machine in rain, stormy surroundings, humidity or wet areas or in explosive environments (gaseous vapours, dust or flammable materials).
Remove materials and debris which can be ignited by sparks.

Keep your working area clean and well lit.
Untidy and dark working areas increase the danger of accidents.

Keep spectators away from the working area.
Children and spectators must keep a safety distance from the working area in order not to distract the driver and not to come in contact with the machine.
The driver must always be aware of who is nearby.

Also protect other persons in the working area.
Provide safety screens and protective shields to protect others from the movement of the machine and debris.

Always be aware of the position of your colleagues when the machine is in operation. Close off working area.
Colleagues must never be in front or behind the running machine. Non-compliance can lead to serious injuries or death.

Keep working area clean and tidy! Unsecured, scattered components and tools are a potential source for accidents

OBSERVE THE MAXIMUM PERMISSIBLE LOAD BEFORE WORKING IN OLD BUILDINGS AND ON ROOFS!

Before working in old buildings, the subfloor must first be checked for sufficient stability! Danger of damage due to the resulting vibrations of the machine.

1 SAFETY

1.9 Occupational safety and special risks



Transport

WARNING! Danger through dropping or tilting of machine!

The weight of the machine can serious injure a person!

Make sure:

- Depending on the weight of the machine you must use a pallet on which the machine can be secured and transported with a fork lift.
- Use appropriate tools when lifting the machine (straps etc.) which correspond to the weight of the machine.
- Make sure when using straps not to overstrain individual components.
- Only use proper pallets.
- If using a ramp the maximum height (entry angle) must be considered.
- Only load in reverse movement.
- Only use ramps which are suited for the weight of the machine and the operator.

Start-up and operation



WARNING! Danger of injury through improper start-up and operation Improper start-up and operation can lead to personal injury or material damage.

Make sure:

- Start-up and operation can only be executed by sufficiently trained personnel, authorized and instructed by the owner of the machine.
- Before work commences all safety installations have to be inspected to check whether they are functioning properly and have been correctly installed.
- Never override safety functions during operation.
- Keep working area tidy and clean! Unsecured, scattered components and tools are a potential source for accidents

WARNING! Non-stop work; Malpositions, vibrations and machine movements cause pain and fatigue

Make sure:

- Adjust seat to your ergonomic position
- observe regular breaks

Maintenance and troubleshooting



WARNING! Danger of injury through improper maintenance and troubleshooting! Improper maintenance and troubleshooting can lead to severe personal injury and material damage.

Make sure:

- Any maintenance work and troubleshooting must only be carried out by sufficiently qualified and instructed personnel.
- Secure machine from unintentional start-up. Switch off drive!
- Provide sufficient space before starting maintenance work.
- Keep working area clean and tidy! Unsecured, scattered components and tools are a potential source for accidents.

When components need to be replaced:

- Contact manufacturer or authorized representative.

1 SAFETY

1.9 Occupational safety and special risks



Batteries

WARNING! FIRE HAZARD, EXPLOSION HAZARD, ACID HAZARD!!

Keep machine away from extreme heat, sparks, open flames and unauthorized persons. Never smoke near the batteries!!

Do not bring the connecting terminals in contact with metal objects. Also ensure that no metal tools can fall onto the batteries.

Remove metal objects like watches, rings, bracelets and necklaces etc. while working with the batteries. Batteries can cause short circuits which weld together metal objects and cause severe burns. Sparks or short circuits can cause an explosion!! Pole protection caps must not be removed

Contact with electrolytic acid can cause skin irritation and burns as well as damage clothing. Wear an apron, gloves and protective goggles when working with the batteries!! Always keep clean water and soap ready in case the battery acid comes in contact with your skin, eyes etc.!!

Batteries must never be disposed of together with domestic waste!

Batteries must never be opened!

Batteries must never be exposed to open flames or high temperatures since they can explode!!

FIRST AID:

If the electrolytic liquid has come into contact with your eyes rinse your eyes for 10 minutes with cold water. Then seek medical advice from an eye specialist.

BATTERY CHANGE SHOULD ONLY BE CARRIED OUT BY AUTHORIZED EXPERTS

Electrical current



WARNING! Risk of death from electrical current!

There is danger of electric shock if live components are touched. Damage to the insulation of individual components can be life-threatening.

- Work on the electrical system has to be carried out by a trained electrician.
- When insulation is damaged switch off power supply immediately and initiate repair.
- Before working on parts of the electrical system and equipment switch off power supply and keep it switched off for the duration of the work.

5 safety rules must be observed:

- Switch off power supply.
- Secure against unintentional start-up.
- Determine voltage free status.
- Earth and short circuit.
- Cover neighbouring live components or cordon off.
- Never override or disable fuses.

When changing fuses observe the appropriate current strength.

- Keep humidity away from live components.

This can cause short circuits.

2 PRODUCT INFORMATION

2.1 Technical Description

With a runtime of 7-10 hours, this version of the battery Ride-on can be used for a full working day without having to change the batteries. The built-in charging system allows charging the machine without removing the batteries.

The higher machine weight allows even more effective use when using wider blades, chisels or shanks.

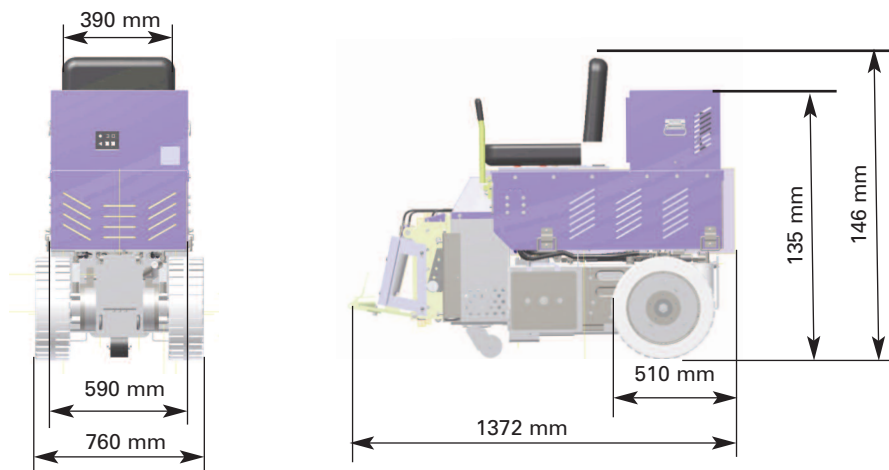
Removes PVC, linoleum, carpeting, rubber coverings. Also for the removal of tiles, coatings, adhesives, parquet and roof coverings!

Ideal for flooring and adhesive removal in the commercial sector i.e. Industrial and sports halls, department stores, etc.

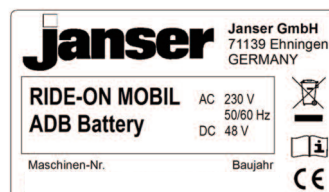
2.2 Technical Specifications

Battery life	approx. 7 - 10 hours
Battery charging time	approx. 8 - 10 hours
Speed	up to 61 m / min.
Battery	Li-ion 8 V 175 Ah (C10)
Charger	230V
Empty weight	1045 kg / 2300 lbs
Added weight	1180 kg / 2600 lbs
Vibration levels	
Whole-body vibration at the seat	0,6 m /s ²
Hand-arm vibration on the control lever	2.0 m/s ²
Noise emissions	arrest / operation
Sound pressure at the operator's ear 2000/14/EG	77 dB(A) / 73 dB(A)

Dimensions (mm)



Identification plate



2 PRODUCT INFORMATION

2.3 Insertable tools, accessories

Cutting Heads

available in 8 different widths,

corresponding spare blades in different strengths and cutter blades



Dimensions	Item no.
Breite 40 mm	111 400 497
Breite 80 mm	111 400 498
Breite 152 mm	111 400 110
Breite 203 mm	111 400 120
Breite 254 mm	111 400 130
Breite 305 mm	111 400 140
Breite 355 mm	111 400 150
Breite 686 mm	111 400 160

Cutting head for blades :
Blades (pack of 50 pcs)

Dimensions	Item no.
Breite 305 mm	111 400 880
Breite 304 x 22 mm	111 400 420

Straight shank with carbide tips

For ceramic tiles, thick epoxy coatings or thermo-plastic coatings. With carbide tip for extended usage.



Dimensions	Item no.
50 x 100 mm	111 400 451
100 x 100 mm	111 400 456
152 x 100 mm	111 400 452

Angle shank blade

Angled shank and cutting head for precise setting of cutting angle. With carbide tip for extended usage



Dimensions	Item no.
50 x 100 mm	111 400 453
100 x 100 mm	111 400 458
152 x 100 mm	111 400 454

To lift difficult to remove floor coverings from underneath. Especially suited to remove glued or nailed down parquet floors. Also to be used for PVC or ceramic tiles. With carbide tip for extended usage.



Dimensions	Item no.
50 x 200 mm	111 400 473
90 x 200 mm	111 400 474

Ceramic Shank Blade

For the removal of ceramic tiles and filler. Strong carbide tip allows sharpening and extended usage.



Dimensions	Item no.
50 x 150 mm	111 400 460
100 x 150 mm	111 400 461
150 x 150 mm	111 400 462

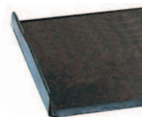
Blade extension

is used to reach inaccessible areas and for thick foam or parquet flooring



Item no.	111 400 485
----------	-------------

Self-scoring U-blades



Tough, long lasting, self-scoring blades. 90° angled self scoring wings. Works on vinyl back, soft to medium PVC, linoleum, carpet tiles.

Dimensions	Thickness	Item no.
223 x 76 mm	1,6 mm	111 800 106
2360 x 76 mm	1,6 mm	111 700 107
40 x 40 mm	2,4 mm	111 400 495
80 x 40 mm	2,4 mm	111 400 496

45° angle. The thickness greatly reduces breakage, especially on heavily weighted machines.

Dimensions	Thickness	Item no.
255 x 76 mm	2,4 mm	111 400 492
305 x 76 mm	2,4 mm	111 400 490
355 x 76 mm	2,4 mm	111 400 491
685 x 76 mm	2,4 mm	111 400 499

V-blades

Pre-cut as well as removal of sport floor coverings



Dimensions	Thickness	Item no.
155 x 75 mm	2,4 mm	111 400 370

Standard blades

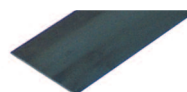
Works on all glued down carpets, VCT, VAT, rubber tile, cork, re-scraping adhesive, elastomeric coatings.



Dimensions	Thickness	Item no.
145 x 102 mm	1,6 mm	111 800 104
152 x 127 mm	1,6 mm	111 700 102
203 x 76 mm	1,6 mm	111 400 220
254 x 76 mm	1,6 mm	111 800 103

Premium Blades

Ultra high quality spring steel is extra hard for long blade life.



Dimensions	Thickness	Item no.
304 x 76 mm	1,6 mm	111 400 240
355 x 76 mm	1,6 mm	111 400 250
685 x 76 mm	1,6 mm	111 400 260

Heavy Duty Blades

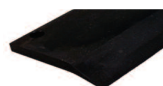
A heavy duty blade that still has a little flex. Works on VCT, VAT, wood, tile, rubber epoxy, thin-set, elastomeric coatings, scraping thin-set, glued ceramic.



Dimensions	Thickness	Item no.
152 x 76 mm	2,4 mm	111 400 310
203 x 76 mm	2,4 mm	111 400 320
254 x 76 mm	2,4 mm	111 700 104
304 x 76 mm	2,4 mm	111 400 340
355 x 76 mm	2,4 mm	111 400 350
685 x 76 mm	2,4 mm	111 400 360

Extra Heavy Duty Blades

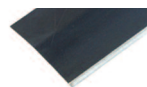
Ultra tough coatings, ceramic & hardwood
Extremely hard, high abrasion wood, tile, lighter ceramic



Dimensions	Thickness	Item no.
152 x 76 mm	4,5 mm	111 700 106
152 x 76 mm	6,35 mm	111 700 105

Increased Angle Blade

Mainly used for VCT, but can be used on most other applications. Supplies more of an angle when needed.



Dimensions	Thickness	Item no.
200 x 75 mm	1,6 mm	111 400 480
250 x 75 mm	1,6 mm	111 400 481

2 PRODUCT INFORMATION

3.1 Initial start-up

SECURITY SYSTEMS

The machine is equipped with 3 safety devices actuated by

- the driver's seat
- the ignition key and
- the EMERGENCY STOP button

The engine can only be started

- when the driver sits in the driver's seat,
- when the EMERGENCY STOP is unlocked
- with the right start key

The engine is switched off when

- ≡ the driver rises from the seat while the machine is running
- ≡ the EMERGENCY STOP button is pressed
- ≡ the OFF switch is actuated

BATTERY CHARGE STATUS

The machine batteries are charged ex works. If a startup problem occurs, for example if the machine is not used for a period longer than 36 months, the batteries must be charged before the first use.

see chapter 4.5

WHEELS

Check tightness of the wheel bolts and nuts.

HYDRAULIC DRIVE

The hydraulic drive is delivered ready for operation. Visual inspection whether damage or leaks to the pressure hoses are visible before operating the machine.



WARNING! Risk of injury due to hydraulic fluid!

Never visually inspect hydraulic components while the machine is running. Never seek or touch pressurized hose assemblies.

Leaking pressurized hydraulic fluids may develop a mist or fine atomizing fluid that squirts or explodes on ignition

Escaping hydraulic fluid not only causes dirt but is also dangerous. In addition, this leads to slippery and dangerous surfaces and pollution.

If hydraulic fluid escapes, immediately take up with oil binder (for example Antipestol III) and place in designated waste containers; Ventilate the room well.

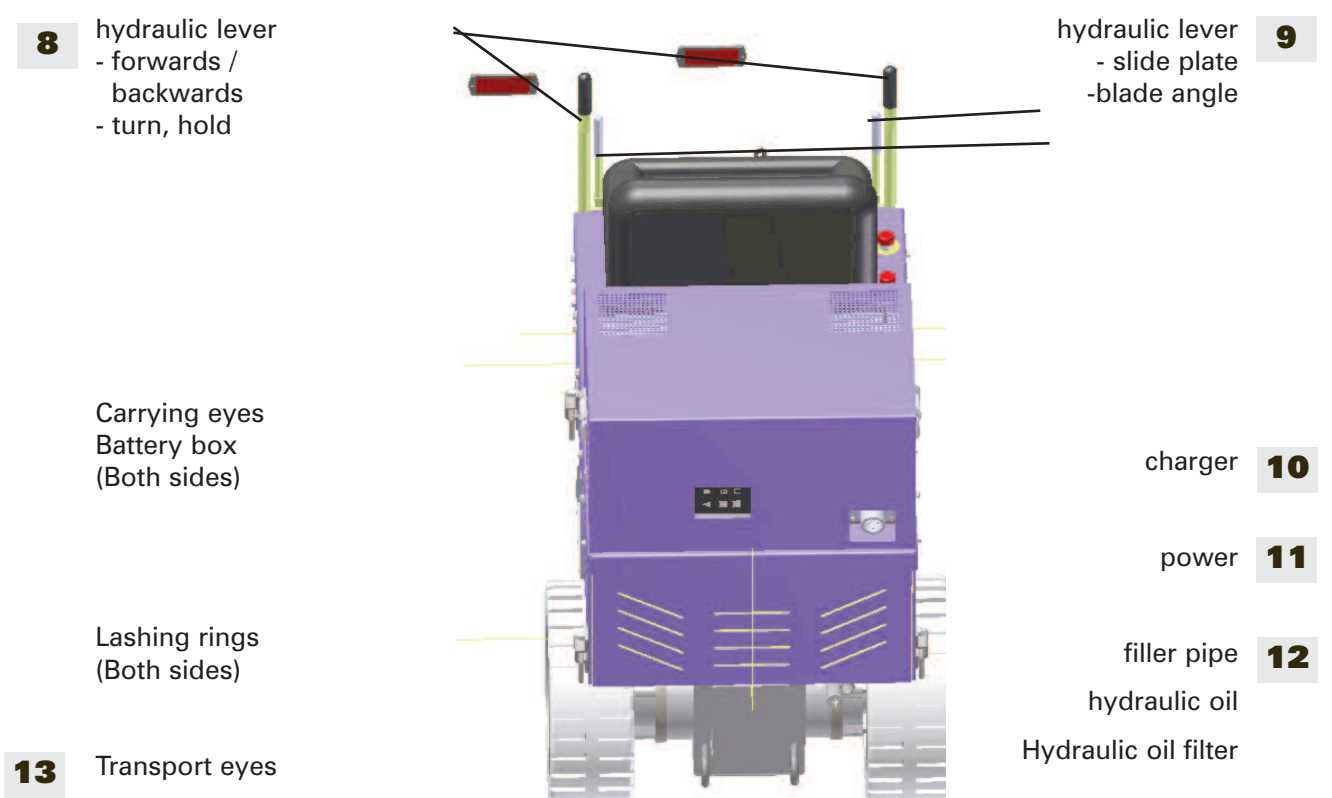
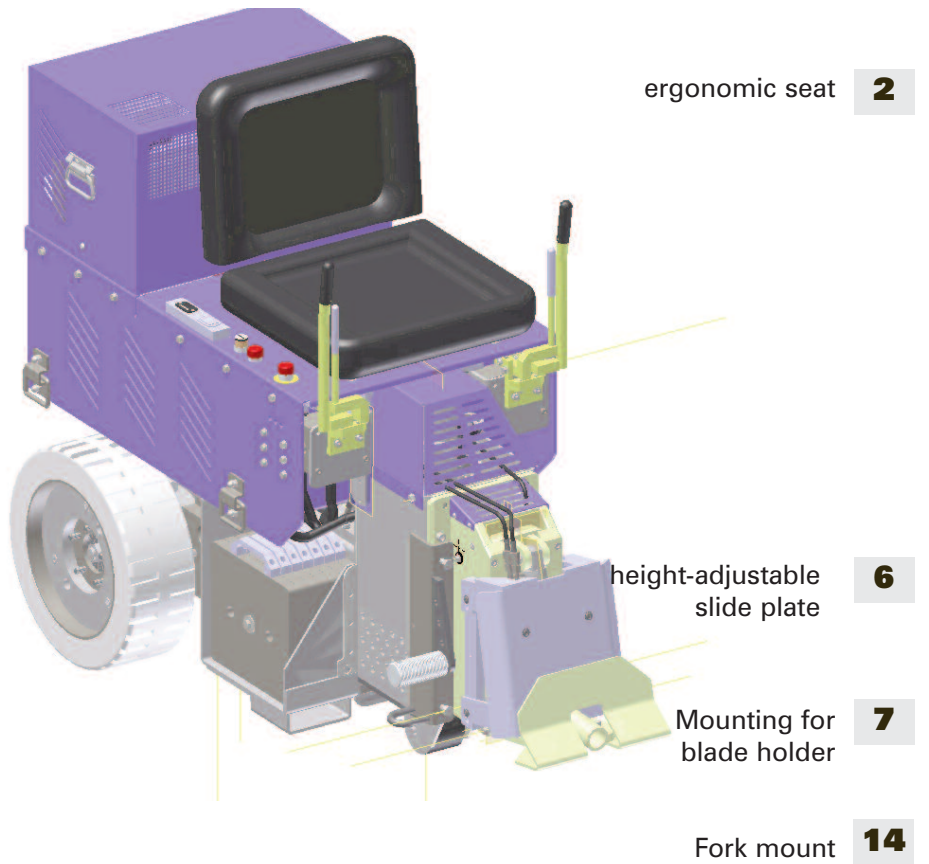
Follow the operating instructions for handling hydraulic oil - see chapter 6.3



PROHIBITION! Keep away from ignition sources, do not smoke

3 START-UP

3.2 Operation and control devices

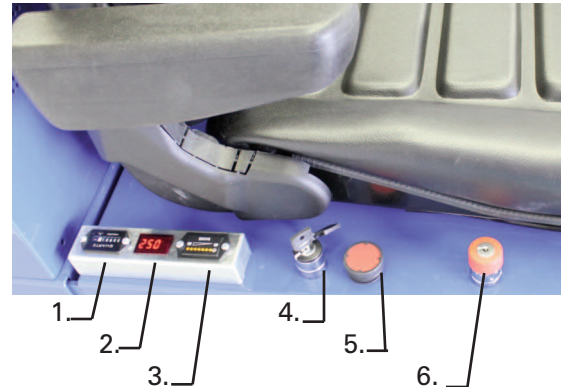


3 START-UP

3.2
Operation and device control

1 **DISPLAY PANEL**

- 1. Hour meter
- 2. **Battery voltage indicator**
shows the current voltage value of the batteries
- charged > = 48V
- minimal about 41 V
- 3. **Battery level indicator**
shows the current capacity status of the batteries



At the latest when the last LED flashes (battery voltage approx. 41 V)
-> STOP MACHINE AND CHARGE

If the machine is not charged then it will switch off automatically to protect the batteries.
Battery level indicator does not show the progress charging.

START/STOP ELEMENTS

- 4. **Key switch - ON** -> to start the engine
- 5. **Pushbutton OFF**-> to switch off the motor
- 6. **EMERGENCY STOP KEY with key** -> In case of emergency, the machine can be brought to a standstill immediately by pressing the EMERGENCY STOP button. The key can be used to unlock the operated EMERGENCY STOP switch



WARNING! Safety function must be guaranteed

Always remove the key of the EMERGENCY STOP switch after unlocking to ensure safe operation from of the EMERGENCY STOP switch.

Getting on the seat

To ascend safely, back up to the machine and place one foot on the footrest.

With your hand, hold the lever.

Then push off the footrest with swinging upward and sit on the machine



- 2** To ensure a secure fit adjust the seat angle and the height of the footpegs to your height.

- 3** **ATTENTION!**
Always sit calmly and safely on the device.
Always keep your feet securely on the footrests.



3 START-UP

3.3 Starting procedure

START

Turn the key switch and the device starts.
Turn the key clockwise
Engine starts
Release the key
To switch off, press the OFF pushbutton



If the machine does not start make sure that

- the EMERGENCY STOP button is unlocked
- the batteries are charged
- You are sitting correctly on the seat so that the safety switch is closed

see chap 3.2

NAVIGATION

8

The machine is controlled with the two external hydraulic control levers.

The direction of travel can be changed while driving by either pressing slightly forward on one lever or slighthing back on the other lever.



Both levers forward move the machine forward.



Both levers backward move the machine backward.



The left lever forward and the right lever backward turn the machine quickly to the right.



The left lever backward and the right lever forward turn the machine quickly to the left.



Only using the left or right lever forward, turns the machine slowly to the right or left.



Only using the left or right lever backwards turns the machine slowly to the left or right.

Correcting direction while moving forward is accomplished by slightly reducing pressure on one lever or the other while moving.

- The center position on levers causes wheels to lock-up.
- Always chock wheels and tie down machine when transporting.

Control levers are low in vibration.



Additionally secure the machine with a brake wedge, when out of service
BLOCKING THE SHIFT LEVER IS NOT ALLOWED

3 START-UP

3.4 Machine settings

To optimise the performance of the machine it is essential to match the correct cutting head, blade width/type, blade angle and added weight to the machine to make the material removal as easy as possible. For every material being removed, there is an optimum blade width, thickness, sharpness, angle and bevel

The principles described here are intended to provide optimal results and to assist the user in carrying out their tasks.

Choice of blade

The correct blade size and the correct attachment of the blades, according to the respective floor covering or subfloor will provide the best performance of your machine.

- The harder a job is, you should select the narrowest blade to achieve optimal results.
- Narrow blades usually clean the floor faster, as the machine will have less resistance as when compared to using a wider blade.
- Start with a narrow blade, widen the blade around the Optimize cut surface.

Wider does not always mean better or faster.
If the blade is too wide or too blunt the flooring will not be peeled off optimally

Self-scoring U-blades

When using self-scoring U-blades for soft floors, pre-cutting of the lining is unnecessary. Depending on the type of product to be removed and the sharpness of the blade, it will be more difficult to control the machine.

Therefore, you should always keep the blade and the side wings/edges sharp.



NOTE! always use sharp blades

Blunt blades affect and reduce the capacity and cutting performance of the machine. Sharpen or replace the blades as needed.

Blades of any thickness will get caught in cracks and joints, they will break, especially if they are set at a steep angle. For good results, use a flat knife to inspect the floor for cracks and joints.



CAUTION: Blades are very sharp, risk of injury!

Always wear gloves when handling blades.

USE ONLY ORIGINAL BLADES.

3 START-UP

3.4 Machine settings

7

Insert / replace blade

Use a suitable socket wrench (19 mm) to loosen the bolts on the blade holder. The number of bolts varies depending on the size of the blade holder. Insert the blade into the blade holder. Tighten bolts again.



Caution sharp blade
Wear protective gloves

Attach blade holder / shanks

Add the desired holder to the cutting head
Always secure the holder with the retaining clip.



ATTENTION! risk of injury

When not in use, remove the blade holder or place it in its lowest position in contact with the ground. Never use the blade holder to jack up the machine.

9

Working angle

An optimal point of shear is where the material to be peeled up cleanly separates from the ground. The working angle is determined by the height of the slide plate and the angle of the blade holder to the floor.

Height of the slide plate -> see application areas chapter 4.3



ATTENTION! risk of injury

When adjusting the slide plate, keep your hands and feet away from the underside of the blade holder and the slide plate! Failure to do so may cause injury. When the bolts are loosened or removed from the slide plate, the blade holder and the slide plate fall to the ground!

Weights

The machine includes six front weights at 11 kg each with the handles in the front weight compartments are installed.

4

Depending on the desired working pressure, the additional weights can be used or removed.

However, increased weight also leads to deterioration and effectiveness of the blades.



ATTENTION! Avoid imbalance

Install weights equally on both sides



4 OPERATION

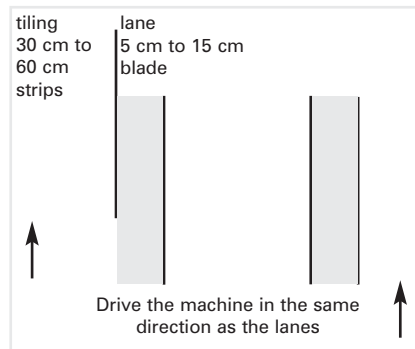
4.1 Removing techniques

CROSS CUTTING

For hard-to-remove coverings (tiles, rubber, timber), cross-cutting first makes your job easier.

By inserting a 50 mm to 152 mm wide blade and cutting tracks in the same direction at a distance of 30 to 60 cm, this helps to release the covering.

This will break the tension that holds the flooring together. If the floor slips off slightly when you cut across the floor area, use a wider blade.



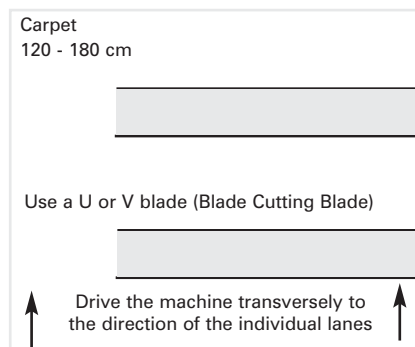
Checkerboard cutting

Checkerboard cutting facilitates the removal of coverings in sheets (for example carpet, PVC, Lino).

Use a web cutting blade and cut crosswise webs at a distance of 120 to 180 cm

By driving a crosswise path with the machine, you can eliminate large rolls of waste. Instead of big sticky rolls or carpet you can easily roll up the smaller squares, transport them on pallets, stack them on a trolley and fold them inwards with the adhesive side.

Waste can thus be removed more easily.



4 OPERATION

4.2 Application

Ceramic

Slide plate : lower to between 0.5 cm to 1 cm from the floor.
Tool : shank or carbide tip shank.

Wood

Slide plate : low between 0.5 cm to 1 cm from the floor.
Tool : shank or carbide tip shank or blade holder from 152 to 203 mm with flat blades, curved flat blades or heavy duty blades.



NOTE! Drive the machine at a 45 ° angle to the wood.

Carpet padding

Slide plate : lower to between 0.5 cm to 1 cm from the floor.
Tool : Blade mount between 254 mm and 686 mm with Heavy Duty blade or blade mount between 254 mm and 355 mm with combined self scoring blade

Foam backing

Slide plate : lower to between 0.5 cm to 1 cm from the floor.
Tool : Blade mount between 254 mm and 355 mm with combined Self scoring blade or blade holder between 355 mm and 686 mm with standard blade if the flooring has not been firmly glued

Double-sided bonding

Slide plate : lower to between 0.5 cm to 1 cm from the floor.
Tool : For easy removal of double-sided bonds use blade holder between 254 mm and 355 mm, start with self scoring blade or pre-cut the material first then use a standard blade in front of it.

NOTE! In some cases, the carpet may need to come off the back, then peel off the back separately.



PVC backed carpet tiles

Slide plate : lower to between 0.5 cm to 1 cm from the floor.
Tool : First install a "razor blade" with blade holder between 254 mm and 355 mm.
If floor coverings are difficult to remove, insert blade holder between 152 mm and 203 mm with a "Premium High" hardened blade fitted

Rubber tiles

Slide plate : lower to between 0.5 cm to 1 cm from the floor.
Tool : Blade holder between 152 mm and 355 mm with self scoring blade.

Repeated scraping

Slide plate : height between 15 cm to 20 cm from the ground.
Tool : Blade holder between 203 mm and 686 mm with scraper blades.
"Razor Blades" are faster but a blade mount between 203mm and 355mm can also be used with a standard blade.



NOTE ! Sharp blades are indispensable for repeated scraping

4 OPERATION

4.2 Application

Working over thin coatings

- Slide plate : lower to between 0.5 cm to 1 cm from the floor
or high between 15 to 20 cm.
- Tool : Blade holder between 205 mm and 686 mm with "razor blades".
Razor Blades work faster, but a blade mount between 203 mm
and 355 mm can also be used with a standard blade.



NOTE ! Sharp blades are indispensable for the removal of thin coatings. Epoxy requires the use of a blade shank or carbide tipped shank.

Working over concrete floors

- Slide plate : lower to between 0.5 cm to 1 cm from the floor
if floor coverings are difficult to remove
- Tool : When working on concrete the sharp side should face up.
Try different angle settings to identify which works best.



NOTE ! If floor coverings are easily peeled off, you can set the sliding plate higher and use a wider blade.

Working over wooden floors

- Slide plate : lower to between 0.5 cm to 1 cm from the floor
- Tool : Flat blade, Extra Heavy Duty blade (these blades are curved)
or a regular blade with the bevel directed upwards.
Using a regular blade, bending up the blade corners prevents
the blade from digging into the ground. Sometimes the use of
a knife shank or knife shank with a carbide tip helps. For wooden
floors, the flat insert of the blade is the most effective.



NOTE ! The angle of the blades should be as flat as possible.



ATTENTION ! too heavy weight. Always check the floors load capacity first
A weighted machine should not be used on wooden or raised floors. Keep the
machine light and remove all weights. A weighted machine can break through the
ground.

Working over soft subfloors

- Slide plate : lower to between 0.5 cm to 1 cm from the floor
- Tool : Flat blade, Extra Heavy Duty blade (these blades are curved)
or a regular blade with the edge directed upwards.
Using a regular blade, bending up the blade corners prevents
the blade from digging into the ground. Sometimes the use of
a shank or carbide shank helps.



NOTE ! The blades should be used with the smallest angle as possible.

4 OPERATION

4.3 Secure work area

Clean work area

Loose components or tools lying around are sources of accident. Pay attention to tidiness and cleanliness in the work area!

Keep work area in front of the ride clean by constantly removing waste material so as not to obstruct the drivers view and avoid any possible hazard to the rider or operator.

In case of very dusty environment and thus limited visibility, ensure suitable extraction / ventilation.



WARNING! Risk of injury!

Auxiliary person must keep a sufficient safety distance to the working area of the machine, at least 3 m radius to the machine.

Never take a passenger

The machine is only approved for use by one person.

Avoid collisions

Only use the machine in safe conditions.

Always look down and behind before reversing or driving backwards.

Always be aware of your surroundings

Drive carefully and allow sufficient clearance of the machine body around solid objects. Do not drive under racking.

When removing hard or splintering materials, move at a suitable speed

Reduce your travel speed before cornering

To alert others and to avoid dangerous situations, sound the warning horn.

Lift the machine lightly from the front caster wheel to about 2 cm, this will apply down-pressure to the blade holder, for better stabilization.

Break / end of work



After 5 hours of work at the latest, take a break (at least 30 minutes) to avoid damage from whole-body vibrations.

ATTENTION! risk of injury

When not in use, immobilize the machine by removing the blade holder or placing it in its lowest position with ground contact. Never use the blade holder to jack up the rider.

To avoid damaging the floor, you should attach a piece of carpet into the blade holder to facilitate sliding on the floor.

4 OPERATION

4.4 Center of gravity



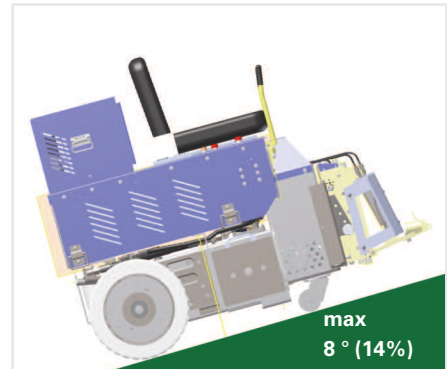
WARNING! Overturning the machine!

Always be aware of your work environment and the inclination of the device. On uneven ground (ramps, slopes, large amounts of debris that would lift a drive wheel of the unit, etc.) the center of gravity changes. Too large an angle can make the machine unsafe and cause it to tip over.

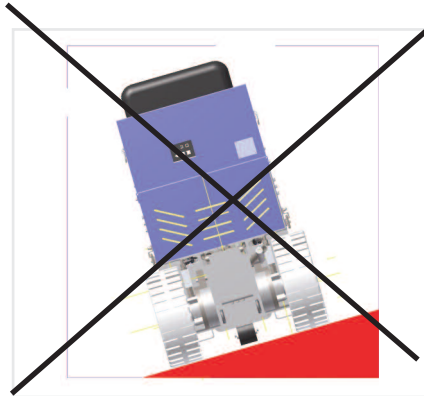
When driving up a slope always adapt appropriate speed and drive along the center of the surface.

Use or park the machine not on slopes over 8 ° / 14%.

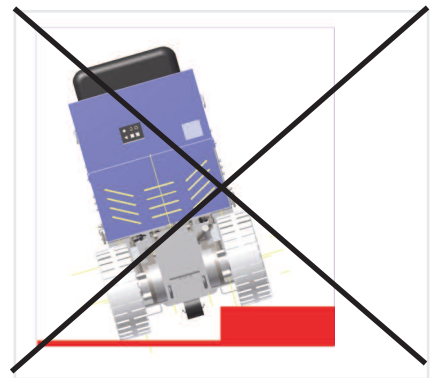
NEVER leave the machine unsupervised on slopes.



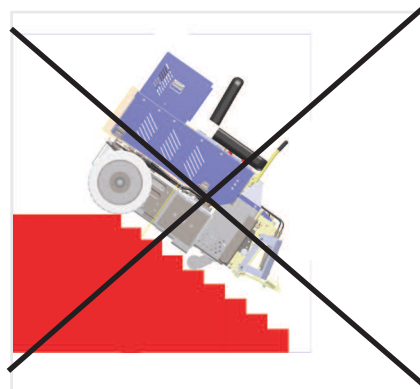
Never drive or park on uneven surfaces



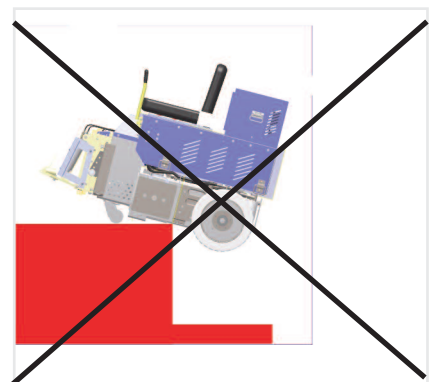
Do not drive over paragraphs or accumulated debris



Do not drive stairs



Do not drive too close to steps



4 OPERATION

4.5

Charging

Preparation

The machine has a built-in charger on the back of the machine.

To prevent the machine from being switched on accidentally, the ignition switch must be turned to the OFF position and the key removed, and the EMERGENCY STOP switch must be pressed.

Start charging

The machine may only be charged with the built-in charger.

Make the power connection with the power cord
(Mains connection: AC 230V / 16A)

In order to prevent any fires, this charger may only be connected to circuits with a 16 amp fuse or higher.

Use only three-pin cables of at least H07RN-F 3G 2.5 mm² and keep the power cable as short as possible - maximum length 10 m.

Plug the power cord connector into the machine plug next to the charger.

- > blue mains power symbol lights up
- > after a short time the charging process begins

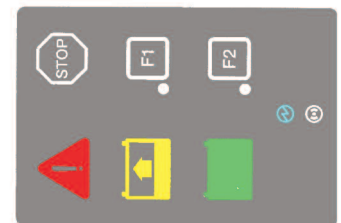
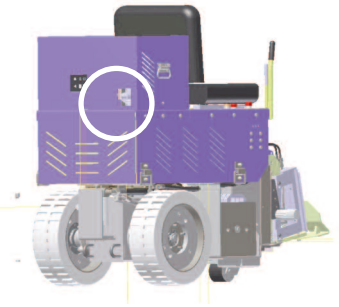
Make sure no one steps on the cable, stumbles over the cable, damages or misuses the cable.

Explanation of symbols

Steady light or flashing of the red symbol
-> ERROR - contact manufacturer

Continuous illumination of the yellow symbol
-> LOAD main loading phase

Continuous lighting of the green symbol
-> READY - Machine charged



End of charging

First, unplug the power cord from the plug on the machine and then from the wall outlet.

Always disconnect the power cord before using the machine, otherwise the charger or power cord may be damaged and personal injury may result.

Unlock EMERGENCY STOP switch.

NOTE!

The charging process should always be completely stopped and not interrupted before the charger is disconnected -> steady lights READY

Frequent interruption of charging affects the capacity and life of the batteries

When working in extremely cold areas, the capacity of the batteries is only about 30-40% and must be recharged more often.



5 TRANSPORT

5.1

Preparing transport



ATTENTION! risk of injury

When transporting the machine, always remove the blade and blade holder and attach the front wheel assembly.

Attach front wheel unit

The front wheel unit is an additional accessory which makes it easier to drive the machine on site or makes it easier to load the machine without a pallet.

It gives the machine greater stability and allows safe transport on any surface.

Attaching and removing is easy and fast.

- Move the sliding plate to the highest position.
- Lift the cylinder, install the front wheels into the holder.
- Secure the wheels with the locking pin.
- Adjust the angle of the front cylinder so that the base plate of the front wheel unit is parallel to the ground. So the rollers are freely rotatable when driving.



Manually moving Ride-on

Forward:

To move the machine forward, the levers must be in forward position.

Hold the levers with a tensioner in the forward position by pushing the lever forward and securing the tensioner to the sliding plate.

Backward:

To move the machine backwards, the levers must be pushed backwards.

Use a tensioner to hold the levers in the reverse position by securing the tensioners behind the seat or at the back of the machine.



ATTENTION! machine weight

The machine may only be pushed with the engine switched off, without a driver, and by a suitable number of people.

Always remove the belts before turning on the engine.

NOTE!

The removal of additional weights will facilitates the movement of the Ride-on.

5 - TRANSPORT

5.2 Loading/unloading

Mode of Transport

The machine can be driven on to small LW trailers and trailers with an approach height of 445 - 665 mm or loaded by winches.

The safest way is to use an electric winch or a hand gripper.

When transporting with a truck, the machine must be loaded with the forklift truck.



ATTENTION! machine weight

The machine is heavy and can cause serious injury. Extra care should be taken when loading or unloading to / from a vehicle or trailer.

Loading ramps

Ramps must be long and strong enough to carry the machine.

Length	3000 mm - 5500 mm
Width	min 1000 mm
Capacity	min. 1000 kg
Loading edge	approx. 445 to max 665 mm



ATTENTION! danger of tipping

Do not support ramps at an angle.

Support the ramp safely.

Always drive the machine backwards.



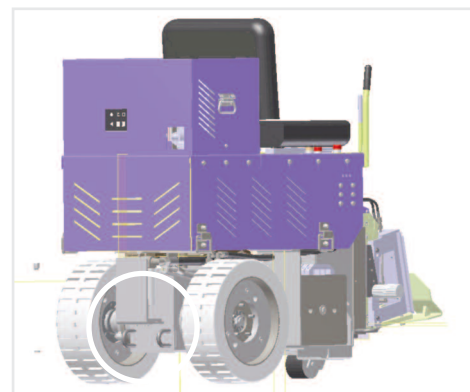
Winches

The safest way was to use an electrical winch.

13

At the back of the machine are two eyelets for hooking in the winch

The capacity of the electric winch must be at least 1500 kg



5 - TRANSPORT

5.2 Loading/unloading

14

Lift Rider with forklift

Under the front end of the rider there are two lift points/pockets located, one on the left and one on the right.

Push the forks in until you touch the rear wheels. Do not damage the tires !! To lift the machine, tilt the forks slightly backwards.



ATTENTION! Danger of tipping!

To avoid slipping off the fork tynes, never tilt the machine forward.



NOTE ! heavy machine weight

Only forklifts with a minimum capacity of 2500 kg are suitable !! The forklift truck is to be operated only by authorized and qualified persons!!

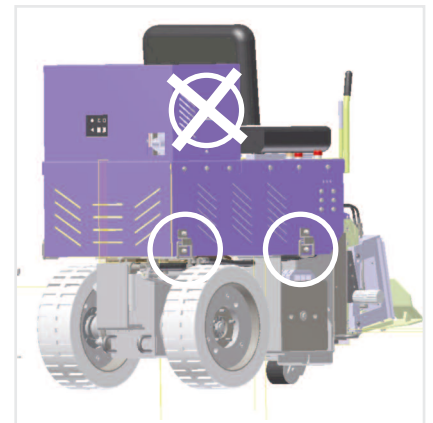
Transport lock

Secure the machine on both sides with approved ratchet lashing straps at the marked lashing points.

Attach a lashing strap for each lashing point.

Make sure that the machine is well tightened on the transport vehicle.

The appropriate ratchet lashing straps must be designed for a pull force of at least 2000-3000 kg.



ATTENTION! unintentional rolling away!

To prevent the machine from rolling away, i.e. to lock the wheels, the hydraulic levers must be in the 0 position and not in the forward or reverse position.

In addition, place four wedge-shaped wheel blocks in front of and behind the rear wheels.



NOTE! road safety

The machine is NOT allowed or suitable for use on public roads.

Before transporting on public roads, the applicable traffic regulations must be adhered to and an approved trailer used to transport the machine.

6 MAINTENANCE

6.1

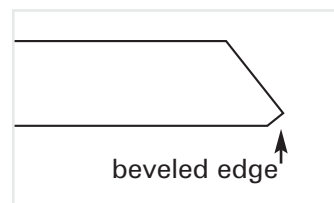
Sharpen blades

Blunt blades greatly reduce cutting performance. Sharpen or replace the blade if necessary.

Standard blades

When used continuously, the blades develop a bevelled edge

The blade is only really sharp, when the bevelled edge is completely removed.



- Always wear gloves and safety glasses.
- Grind the blade with a grinding wheel of 120 grit or finer.
- Move the grinder along the edge of the blade and hold the grinder at the correct angle to the blade.
- Grind until the blade is sharp.
- Be careful not to catch the grinding disc on the edge or corner of the blade.



WARNING! Risk of injury!

Blades are sharp. Be extremely careful.



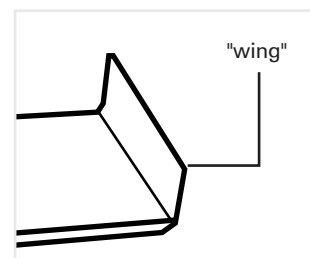
NOTE! Recommendation for optimal use of blades

- Thinner blades are easier to sharpen, but break off more easily.
- Have enough sharp blades for each job so that you do not have to sharpen them during a job.
- It is easier to grind the blunt blades on a real work bench or with a belt grinder in the workshop and prepare for the next job.

Self-scoring blade

It is important to keep the "wings" of the self-scoring blades sharp.

Use a file at the "wing" edge. Sharpen the flat end of the blade exactly as described above.



Blades with carbide tip

To sharpen carbide tips you will need a green carbide grinding wheel, for example a diamond wheel.