

ZAXIS | DASH-5 UTILITY-CLASS EXCAVATORS

ZX210/210LC-5

119 kW (150 hp)

ZX210LC



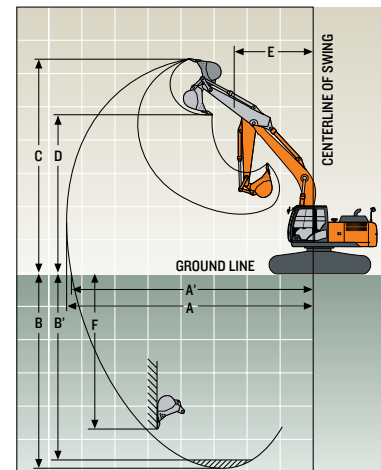
HITACHI

Engine	ZX210-5 / ZX210LC-5		
Manufacturer and Model	Isuzu 4HK1		
Non-Road Emission Standards	Certified to IT4 / Stage IIIB emissions		
Net Rated Power (ISO 9249)	119 kW (150 hp) @ 1,900 rpm		
Cylinders	4		
Displacement	5.2 L (317 cu in.)		
Off-Level Capacity	70% (35 deg.)		
Aspiration	Turbocharged, air-to-air charge-air cooler		
Cooling			
Direct-driven, high-efficiency, low-noise, suction-type fan			
Powertrain			
2-speed propel with automatic shift			
Maximum Travel Speed			
Low	3.5 km/h (2.2 mph)		
High	5.5 km/h (3.4 mph)		
Drawbar Pull	20 700 kg (45,636 lb.)		
Hydraulics			
Open center, load sensing			
Main Pumps	2 variable-displacement axial-piston pumps		
Maximum Rated Flow	212 L/m (56 gpm) x 2		
Pilot Pump	One gear		
Maximum Rated Flow	30.0 L/m (7.9 gpm)		
Pressure Setting	3999 kPa (580 psi)		
System Operating Pressure			
Implement Circuits	34 336 kPa (4,980 psi)		
Travel Circuits	34 336 kPa (4,980 psi)		
Swing Circuits	34 336 kPa (4,980 psi)		
Power Boost	38 000 kPa (5,511 psi)		
Controls	Pilot levers, short-stroke, low-effort hydraulic pilot controls with shutoff lever		
Cylinders			
	Bore	Rod Diameter	Stroke
Boom (2)	120 mm (4.72 in.)	85 mm (3.35 in.)	1260 mm (49.61 in.)
Arm (1)	135 mm (5.31 in.)	95 mm (3.74 in.)	1475 mm (58.07 in.)
Bucket (1)	115 mm (4.53 in.)	80 mm (3.15 in.)	1060 mm (41.73 in.)
Electrical			
Number of Batteries (12 volt)	2		
Battery Capacity	1,400 CCA		
Alternator Rating	50 amp		
Work Lights	2 halogen (one mounted on boom, one on frame)		
Undercarriage	ZX210-5	ZX210LC-5	
Rollers (each side)			
Carrier Rollers	2	2	
Track Rollers	7	8	
Shoes (each side)	46	49	
Track			
Adjustment	Hydraulic	Hydraulic	
Guides	Center	Center	
Chain	Sealed and lubricated	Sealed and lubricated	
Ground Pressure	ZX210-5	ZX210LC-5	
600-mm (24 in.) Triple Semi-Grouser Shoes	45 kPa (6.53 psi)	47.9 kPa (6.95 psi)	
700-mm (28 in.) Triple Semi-Grouser Shoes	39 kPa (5.66 psi)	41.7 kPa (6.05 psi)	
800-mm (32 in.) Triple Semi-Grouser Shoes	34 kPa (4.93 psi)	36.9 kPa (5.35 psi)	
Swing Mechanism			
Swing Speed	13.3 rpm		
Swing Torque	68 900 Nm (50,662 lb.-ft.)		

DASH-5

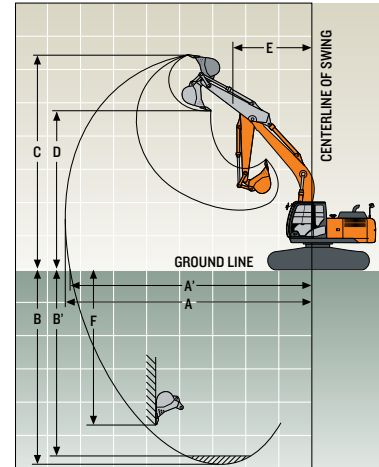
Serviceability		ZX210-5 / ZX210LC-5	
Refill Capacities			
Fuel Tank	403L (106.5 gal.)		
Cooling System	25L (26.4 qt.)		
Engine Oil with Filter	23L (24 qt.)		
Hydraulic Tank	135L (35.7 gal.)		
Hydraulic System	240L (63.4 gal.)		
Swing Gearbox	6.2L (6.6 qt.)		
Propel Gearbox (each)	7.8L (8.2 qt.)		
Pump Drive Gearbox	1.0L (1.1 qt.)		
Operating Weights		ZX210-5	ZX210LC-5
With full fuel tank; 79-kg (175 lb.) operator; 666-kg (1,468 lb.) general-purpose bucket; 2.91-m (9 ft. 7 in.) arm; 4250-kg (9,370 lb.) counterweight, and 800-mm (32 in.) triple semi-grouser shoes.			
Operating Weight	20 800 kg (45,815 lb.)	21 400 kg (47,137 lb.)	
Optional Components			
Undercarriage with Triple Semi-Grouser Shoes			
600-mm (24 in.)	6752 kg (14,873 lb.)	7353 kg (16,196 lb.)	
700-mm (28 in.)	7143 kg (15,733 lb.)	7743 kg (17,055 lb.)	
800-mm (32 in.)	7437 kg (16,381 lb.)	8038 kg (17,705 lb.)	
One-Piece Boom (with arm cylinder)	1732 kg (3,815 lb.)	1732 kg (3,815 lb.)	
Arm with Bucket Cylinder and Linkage			
2.22 m (7 ft. 3 in.)	928 kg (2,044 lb.)	928 kg (2,044 lb.)	
2.91 m (9 ft. 7 in.)	990 kg (2,181 lb.)	990 kg (2,181 lb.)	
Boom Lift Cylinders (2) Total Weight	341 kg (751 lb.)	341 kg (751 lb.)	
1065-mm (42 in.), 0.91-m ³ (1.19 cu. yd.) Bucket	886 kg (1,952 lb.)	886 kg (1,952 lb.)	
Counterweight Standard	4250 kg (9,361 lb.)	4250 kg (9,361 lb.)	

Operating Dimensions - ZX210-5			
Arm Length	2.42 m (7 ft. 11 in.)	2.91 m (9 ft. 7 in.)	
Arm Digging Force			
SAE	133 kN (29,901 lb.)	110 kN (24,730 lb.)	
ISO	140 kN (31,475 lb.)	114 kN (25,629 lb.)	
Bucket Digging Force			
SAE	141 kN (31,700 lb.)	141 kN (31,700 lb.)	
ISO	158 kN (35,552 lb.)	158 kN (35,522 lb.)	
A Maximum Reach	9.43 m (30 ft. 11 in.)	9.92 m (32 ft. 7 in.)	
A' Maximum Reach at Ground Level	9.25 m (30 ft. 4 in.)	9.75 m (31 ft. 12 in.)	
B Maximum Digging Depth	6.18 m (20 ft. 3 in.)	6.68 m (21 ft. 11 in.)	
B' Maximum Digging Depth at 2.44-m (8 ft.) Flat Bottom	5.95 m (19 ft. 6 in.)	6.50 m (21 ft. 4 in.)	
C Maximum Cutting Height	9.67 m (31 ft. 9 in.)	10.04 m (32 ft. 11 in.)	
D Maximum Dumping Height	6.83 m (22 ft. 5 in.)	7.18 m (23 ft. 7 in.)	
E Minimum Swing Radius	3.28 m (10 ft. 9 in.)	3.18 m (10 ft. 5 in.)	
F Maximum Vertical Wall	5.3 m (17 ft. 5 in.)	5.99 m (19 ft. 8 in.)	



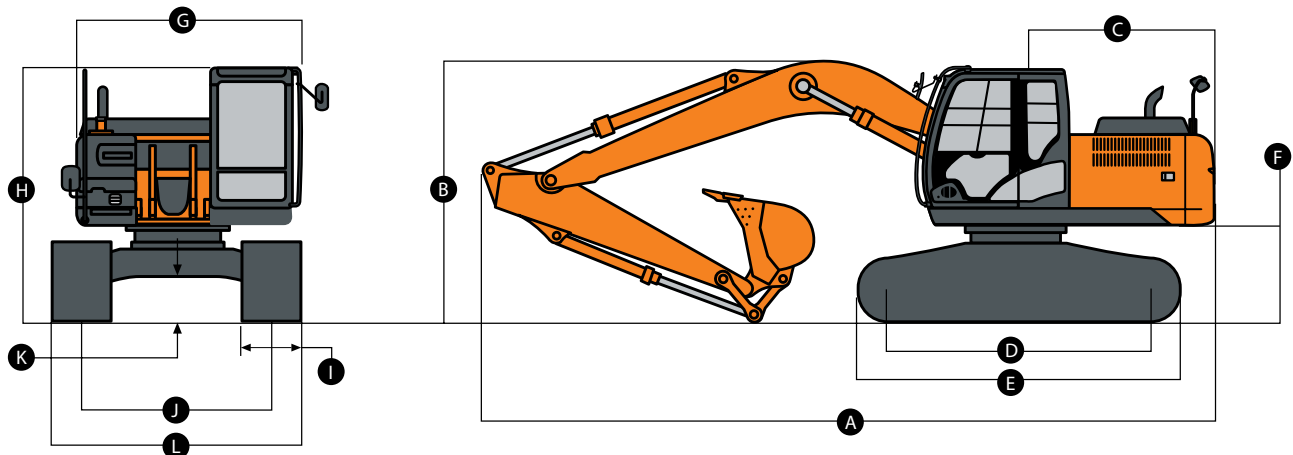
Operating Dimensions - ZX210LC-5

Arm Length	2.42 m (7 ft. 11 in.)	2.91 m (9 ft. 7 in.)
Arm Digging Force		
SAE	133 kN (29,901 lb.)	110 kN (24,730 lb.)
ISO	140 kN (31,475 lb.)	114 kN (25,629 lb.)
Bucket Digging Force		
SAE	141 kN (31,700 lb.)	141 kN (31,700 lb.)
ISO	158 kN (35,522 lb.)	158 kN (35,522 lb.)
A Maximum Reach	9.43 m (30 ft. 11 in.)	9.92 m (32 ft. 7 in.)
A' Maximum Reach at Ground Level	9.25 m (30 ft. 4 in.)	9.75 m (31 ft. 12 in.)
B Maximum Digging Depth	6.18 m (20 ft. 3 in.)	6.68 m (21 ft. 11 in.)
B' Maximum Digging Depth at 2.44-m (8 ft.) Flat Bottom	5.95 m (19 ft. 6 in.)	6.50 m (21 ft. 4 in.)
C Maximum Cutting Height	9.67 m (31 ft. 9 in.)	10.04 m (32 ft. 11 in.)
D Maximum Dumping Height	6.83 m (22 ft. 5 in.)	7.18 m (23 ft. 7 in.)
E Minimum Swing Radius	3.28 m (10 ft. 9 in.)	3.18 m (10 ft. 5 in.)
F Maximum Vertical Wall	5.3 m (17 ft. 5 in.)	5.99 m (19 ft. 8 in.)
G Tail-Swing Radius	2.89 m (9 ft. 6 in.)	2.89 m (9 ft. 6 in.)



Machine Dimensions

	ZX210-5	ZX210LC-5
A Overall Length		
2.42-m (7 ft. 11 in.) arm	9.75 m (31 ft. 12 in.)	9.75 m (31 ft. 12 in.)
2.91-m (9 ft. 7 in.) arm	9.53 m (31 ft. 3 in.)	9.53 m (31 ft. 3 in.)
B Overall Height		
2.42-m (7 ft. 11 in.) arm	3.18 m (10 ft. 5 in.)	3.18 m (10 ft. 5 in.)
2.91-m (9 ft. 7 in.) arm	3.01 m (9 ft. 11 in.)	3.01 m (9 ft. 11 in.)
C Rear-End Length/Swing Radius	2.89 m (9 ft. 6 in.)	2.89 m (9 ft. 6 in.)
D Distance Between Idler/Sprocket Centerline	3.35 m (10 ft. 12 in.)	3.67 m (12 ft.)
E Undercarriage Length	4.17 m (13 ft. 8 in.)	4.46 m (14 ft. 8 in.)
F Counterweight Clearance	1030 mm (3 ft. 5 in.)	1030 mm (3 ft. 5 in.)
G Upperstructure Width	2.71 m (8 ft. 11 in.)	2.71 m (8 ft. 11 in.)
H Cab Height	2.95 m (9 ft. 8 in.)	2.95 m (9 ft. 8 in.)
I Track Width	600 mm (24 in.)	600 mm (24 in.)
w/ Triple Semi-Grouser Shoes	700 mm (28 in.)	700 mm (28 in.)
	800 mm (32 in.)	800 mm (32 in.)
J Gauge Width	2.39 m (7 ft. 10 in.)	2.39 m (7 ft. 10 in.)
K Ground Clearance	450 mm (18 in.)	450 mm (18 in.)
L Overall Width with Triple Semi-Grouser Shoes		
600 mm (24 in.)	2.99 m (9 ft. 10 in.)	2.99 m (9 ft. 10 in.)
700 mm (28 in.)	3.09 m (10 ft. 2 in.)	3.09 m (10 ft. 2 in.)
800 mm (32 in.)	3.19 m (10 ft. 6 in.)	3.19 m (10 ft. 6 in.)



DASH-5

Lift Charts - ZX210-5

Boldface type indicates hydraulically limited capacity; **lightface** type indicates stability-limited capacities, in kg (lb.). Ratings at bucket lift hook; machine equipped with 666-kg (1,468 lb.) bucket; standard gauge; and situated on firm, uniform supporting surface. Total load includes weight of cables, hook, etc. Figures do not exceed 87 percent of hydraulic capacities or 75 percent of weight needed to tip machine. All lift capacities are based on ISO 10567 (with power boost).

Load Point Height	1.5 m (5 ft.)		3.0 m (10 ft.)		4.5 m (15 ft.)		6.0 m (20 ft.)		7.5 m (25 ft.)	
Horizontal Distance from Centerline of Rotation	Over Front	Over Side	Over Front	Over Side	Over Front	Over Side	Over Front	Over Side	Over Front	Over Side
With 2.91-m (9 ft. 7 in.) arm and 700-mm (28 in.) shoes										
6.0 m (20 ft.)							4700 (10,300)	4450 (9,500)		
4.5 m (15 ft.)					6150 (13,250)	6150 (13,250)	5250 (11,450)	4300 (9,250)	4500 (9,600)	2850 (6,150)
3.0 m (10 ft.)					8050 (17,350)	6400 (13,800)	6150 (13,350)	4050 (8,750)	4400 (9,450)	2800 (5,950)
1.5 m (5 ft.)					9800 (21,100)	5950 (12,800)	6150 (13,200)	3850 (8,250)	4300 (9,200)	2700 (5,750)
Ground Line			4150 (9,650)	4150 (9,650)	9500 (20,400)	5650 (12,200)	5950 (12,800)	3700 (7,900)	4200 (9,000)	2600 (5,600)
-1.5 m (-5 ft.)	4800 (10,750)	4800 (10,750)	8400 (19,100)	8400 (19,100)	9400 (20,200)	5600 (12,050)	5850 (12,650)	3600 (7,750)	4150 (8,950)	2550 (5,550)
-3.0 m (-10 ft.)	9250 (20,850)	9250 (20,850)	13 950 (30,250)	11 150 (23,950)	9500 (20,350)	5650 (12,150)	5900 (12,750)	3650 (7,850)		
-4.5 m (-15 ft.)			10 850 (23,150)	10 850 (23,150)	7650 (16,250)	5850 (12,650)				
With 2.91-m (9 ft. 7 in.) arm and 800-mm (32 in.) shoes										
6.0 m (20 ft.)							4700 (10,300)	4500 (9,650)		
4.5 m (15 ft.)					6150 (13,250)	6150 (13,250)	5250 (11,450)	4350 (9,400)	4600 (9,800)	2950 (6,250)
3.0 m (10 ft.)					8050 (17,350)	6500 (14,050)	6150 (13,350)	4150 (8,950)	4500 (9,650)	2850 (6,100)
1.5 m (5 ft.)					9800 (21,100)	6050 (13,000)	6250 (13,450)	3900 (8,450)	4350 (9,400)	2750 (5,850)
Ground Line			4150 (9,650)	4150 (9,650)	9700 (20,800)	5750 (12,450)	6050 (13,050)	3750 (8,050)	4300 (9,200)	2650 (5,700)
-1.5 m (-5 ft.)	4800 (10,750)	4800 (10,750)	8400 (19,100)	8400 (19,100)	9600 (20,600)	5700 (12,250)	6000 (12,900)	3700 (7,900)	4250 (9,150)	2650 (5,650)
-3.0 m (-10 ft.)	9250 (20,850)	9250 (20,850)	13 950 (30,250)	11 350 (24,350)	9650 (20,750)	5750 (12,400)	6050 (13,000)	3700 (8,000)		
-4.5 m (-15 ft.)			10 850 (23,150)	10 850 (23,150)	7650 (16,250)	5950 (12,850)				

Lift Charts - ZX210LC-5

Boldface type indicates hydraulically limited capacity; **lightface type** indicates stability-limited capacities, in kg (lb.). Ratings at bucket lift hook; machine equipped with 666-kg (1,468 lb.) bucket; standard gauge; and situated on firm, uniform supporting surface. Total load includes weight of cables, hook, etc. Figures do not exceed 87 percent of hydraulic capacities or 75 percent of weight needed to tip machine. All lift capacities are based on ISO 10567 (with power boost).

Load Point Height	1.5 m (5 ft.)		3.0 m (10 ft.)		4.5 m (15 ft.)		6.0 m (20 ft.)		7.5 m (25 ft.)	
Horizontal Distance from Centerline of Rotation	Over Front	Over Side	Over Front	Over Side	Over Front	Over Side	Over Front	Over Side	Over Front	Over Side
With 2.42-m (7 ft. 11 in.) arm and 800-mm (32 in.) shoes										
6.0 m (20 ft.)							5200	4950		
							(11,450)	(10,600)		
4.5 m (15 ft.)					6850	6850	5750	4850		
			(20,650)	(20,650)	(14,800)	(14,800)	(12,450)	(10,400)		
3.0 m (10 ft.)					8750	7200	6550	4600	5150	3200
					(18,800)	(15,550)	(14,150)	(9,950)	(11,000)	(6,850)
1.5 m (5 ft.)					10 250	6750	7200	4400	5050	3100
					(22,100)	(14,550)	(15,450)	(9,500)	(10,800)	(6,700)
Ground Line					10 750	6550	7050	4250	4950	3050
					(23,300)	(14,150)	(15,100)	(9,200)	(10,650)	(6,550)
-1.5 m (-5 ft.)			9150	9150	10 450	6550	7000	4250		
			(21,050)	(21,050)	(22,600)	(14,100)	(15,050)	(9,100)		
-3.0 m (-10 ft.)			12 800	12 800	9250	6650	6650	4300		
			(27,750)	(27,750)	(20,000)	(14,300)	(14,200)	(9,300)		
-4.5 m (-15 ft.)					6400	6400				
					(13,250)	(13,250)				
With 2.91-m (9 ft. 7 in.) arm and 600-mm (24 in.) shoes										
6.0 m (20 ft.)							4700	4700		
							(10,300)	(10,300)		
4.5 m (15 ft.)					6150	6150	5250	4700	4850	3150
					(13,250)	(13,250)	(11,450)	(10,150)	(10,650)	(6,750)
3.0 m (10 ft.)					8050	7100	6150	4500	4950	3100
					(17,350)	(15,250)	(13,350)	(9,650)	(10,600)	(6,600)
1.5 m (5 ft.)					9800	6600	6900	4250	4800	2950
					(21,100)	(14,200)	(14,900)	(9,150)	(10,350)	(6,400)
Ground Line			4150	4150	10 650	6300	6750	4100	4700	2900
			(9,650)	(9,650)	(23,050)	(13,600)	(14,500)	(8,800)	(10,150)	(6,200)
-1.5 m (-5 ft.)	4800	4800	8400	8400	10 600	6250	6650	4000	4700	2850
	(10,750)	(10,750)	(19,100)	(19,100)	(23,000)	(13,400)	(14,300)	(8,600)	(10,100)	(6,150)
-3.0 m (-10 ft.)	9250	9250	13 950	12 700	9750	6300	6700	4050		
	(20,850)	(20,850)	(30,250)	(27,150)	(21,050)	(13,550)	(14,400)	(8,700)		
-4.5 m (-15 ft.)			10 850	10 850	7650	6500				
			(23,150)	(23,150)	(16,250)	(14,050)				
With 2.91-m (9 ft. 7 in.) arm and 700-mm (28 in.) shoes										
6.0 m (20 ft.)							4700	4700		
							(10,300)	(10,300)		
4.5 m (15 ft.)					6150	6150	5250	4800	4850	3250
					(13,250)	(13,250)	(11,450)	(10,350)	(10,650)	(6,950)
3.0 m (10 ft.)					8050	7250	6150	4600	5050	3150
					(17,350)	(15,600)	(13,350)	(9,850)	(10,850)	(6,750)
1.5 m (5 ft.)					9800	6750	7050	4350	4950	3050
					(21,100)	(9,350)	(15,200)	(9,350)	(10,600)	(6,550)
Ground Line			4150	4150	10 650	6450	6900	4200	4850	2950
			(9,650)	(9,650)	(23,050)	(13,900)	(14,850)	(9,000)	(10,400)	(6,350)
-1.5 m (-5 ft.)	4800	4800	8400	8400	10 600	6400	6800	4100	4800	2950
	(10,750)	(10,750)	(19,100)	(19,100)	(23,000)	(13,750)	(14,650)	(8,850)	(10,350)	(6,350)
-3.0 m (-10 ft.)	9250	9250	13 950	12 950	9750	6450	6850	4150		
	(20,850)	(20,850)	(30,250)	(27,750)	(21,050)	(13,900)	(14,750)	(8,950)		
-4.5 m (-15 ft.)			10 850	10 850	7650	6650				
			(23,150)	(23,150)	(16,250)	(14,350)				

DASH-5

Lift Charts - ZX210LC-5 (Continued)

Boldface type indicates hydraulically limited capacity; lightface type indicates stability-limited capacities, in kg (lb.). Ratings at bucket lift hook; machine equipped with 666-kg (1,468 lb.) bucket; standard gauge; and situated on firm, uniform supporting surface. Total load includes weight of cables, hook, etc. Figures do not exceed 87 percent of hydraulic capacities or 75 percent of weight needed to tip machine. All lift capacities are based on ISO 10567 (with power boost).

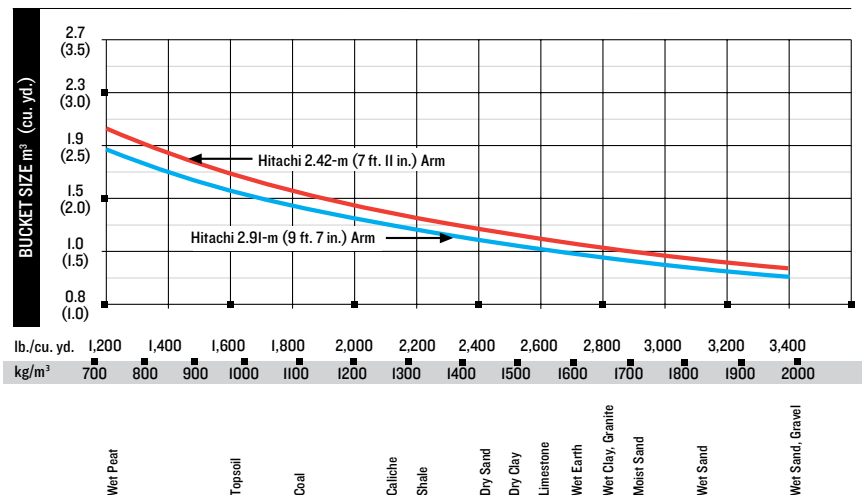
Load Point Height	1.5 m (5 ft.)		3.0 m (10 ft.)		4.5 m (15 ft.)		6.0 m (20 ft.)		7.5 m (25 ft.)	
Horizontal Distance from Centerline of Rotation	Over Front	Over Side	Over Front	Over Side	Over Front	Over Side	Over Front	Over Side	Over Front	Over Side
With 2.91-m (9 ft. 7 in.) arm and 800-mm (32 in.) shoes										
6.0 m (20 ft.)							4700	4700		
							(10,300)	(10,300)		
4.5 m (15 ft.)					6150	6150	5250	4900	4850	3300
					(13,250)	(13,250)	(11,450)	(10,500)	(10,650)	(7,050)
3.0 m (10 ft.)					8050	7350	6150	4650	5150	3200
					(17,350)	(15,850)	(13,350)	(10,050)	(11,050)	(6,900)
1.5 m (5 ft.)					9800	6850	7050	4450	5050	3100
					(21,100)	(14,750)	(15,200)	(9,550)	(10,800)	(6,700)
Ground Line			4150	4150	10 650	6600	7050	4250	4950	3000
			(9,650)	(9,650)	(23,050)	(14,150)	(15,100)	(9,150)	(10,650)	(6,500)
-1.5 m (-5 ft.)	4800	4800	8400	8400	10 600	6500	6950	4200	4900	3000
	(10,750)	(10,750)	(19,100)	(19,100)	(23,000)	(14,000)	(14,950)	(9,000)	(10,600)	(6,450)
-3.0 m (-10 ft.)	9250	9250	13 950	13 200	9750	6550	7000	4200		
	(20,850)	(20,850)	(30,250)	(28,200)	(21,050)	(14,150)	(15,050)	(9,100)		
-4.5 m (-15 ft.)			10 850	10 850	7650	6800				
			(23,150)	(23,150)	(16,250)	(14,600)				

Bucket Selection Guide*

ZX210-5 / ZX210LC-5

A full line of buckets is offered to meet a wide variety of applications. Digging forces are with power boost. Buckets are equipped with ESCO teeth standard. Replaceable cutting edges and a variety of teeth are available through Hitachi parts. Optional side cutters add 150 mm (6 in.) to bucket widths. Capacities are SAE heaped ratings.

Type Bucket	Bucket Width		Bucket Capacity		Bucket Weight		Bucket Dig Force		Arm Dig Force 2.42 m (7 ft. 11 in.)		Arm Dig Force 2.91 m (9 ft. 7 in.)		Bucket Tip Radius		Number of Teeth
	mm	in.	m ³	cu. yd.	kg	lb.	kN	lb.	kN	lb.	kN	lb.	mm	in.	
Heavy Duty	915	36	0.69	0.9	708	1,559	135.9	30,554	130.2	29,271	107.1	24,071	1463	57.61	5
Heavy Duty	1065	42	0.83	1.09	786	1,731	135.9	30,554	130.2	29,271	107.1	24,071	1463	57.61	5
Heavy Duty	1220	48	0.99	1.29	872	1,921	135.9	30,554	130.2	29,271	107.1	24,071	1463	57.61	6
Heavy Duty	610	24	0.43	0.56	646	1,424	135.0	30,349	129.9	29,197	106.8	24,016	1473	58	4
High Capacity															
Heavy Duty	760	30	0.58	0.76	723	1,593	135.0	30,349	129.9	29,197	106.8	24,016	1473	58	4
High Capacity															
Heavy Duty	915	36	0.74	0.97	809	1,782	135.0	30,349	129.9	29,197	106.8	24,016	1473	58	5
High Capacity															
Heavy Duty	1065	42	0.91	1.19	886	1,951	135.0	30,349	129.9	29,197	106.8	24,016	1473	58	5
High Capacity															



*Contact your Hitachi dealer for optimum bucket and attachment selections. These recommendations are for general conditions and average use. Does not include optional equipment such as thumbs or couplers. Larger buckets may be possible when using light materials, for flat and level operations, less compacted materials, and volume loading applications such as mass-excavation applications in ideal conditions. Smaller buckets are recommended for adverse conditions such as off-level applications, rocks, and uneven surfaces. Bucket capacity indicated is SAE heaped.

DASH-5

ADDITIONAL EQUIPMENT

Key: ● Standard ▲ Optional or special kit

210 Engine
● Auto-idle system
● Batteries (2 – 12 volt)
● Coolant recovery tank
● Dual-element dry-type air filter
● Electronic engine control
● Enclosed fan guard (conforms to SAE J1308)
● Engine coolant to –37 deg. C (–34 deg. F)
● Fuel filter with water separator
● Full-flow oil filter
● Turbocharger with charge air cooler
● 500-hour engine-oil-change interval
● 70% (35 deg.) off-level capability
● Engine-oil-sampling valve
● Programmable auto shutdown
Hydraulic System
● Reduced-drift valve for boom down, arm in
● Auxiliary hydraulic valve section
● Spring-applied, hydraulically released automatic swing brake
● Auxiliary hydraulic-flow adjustments through monitor
● Auto power lift
● 5,000-hour hydraulic-oil-change interval
● Hydraulic-oil-sampling valve
▲ Auxiliary hydraulic lines
▲ Auxiliary pilot and electric controls
▲ Hydraulic filter restriction indicator kit
▲ Load-lowering control device
▲ Single-pedal propel control
▲ Control pattern change valve
Undercarriage
● Planetary drive with axial piston motors
● Propel motor shields
● Spring-applied, hydraulically released automatic propel brake
● Track guides, front idler and center
● 2-speed propel with automatic shift
● Upper carrier rollers (2)
● Sealed and lubricated track chain
▲ Triple semi-grouser shoes, 600 mm (24 in.)
▲ Triple semi-grouser shoes, 700 mm (28 in.)
▲ Triple semi-grouser shoes, 800 mm (32 in.)

210 Upperstructure
● Right-hand, left-hand, and counterweight mirrors
● Vandal locks with ignition key: Cab door / Service doors / Toolbox
● Debris screen
● Remote-mounted engine oil and fuel filters
Front Attachments
● Centralized lubrication system
● Dirt seals on all bucket pins
● Less boom and arm
● HN bushings
● Reinforced resin thrust plates
● Tungsten carbide thermal coating on arm-to-bucket joint
▲ Arm, 2.42 m (7 ft. 11 in.)
▲ Arm, 2.91 m (9 ft. 7 in.)
▲ Attachment quick-couplers
▲ Boom cylinder with plumbing to mainframe less boom and arm
▲ Buckets: Ditching / Heavy duty / Heavy-duty high capacity / Side cutters and teeth
▲ Material clamps
▲ Super-long fronts
Operator's Station
● Meets ISO 12117-2 for ROPS
● Adjustable independent-control positions (levers-to-seat, seat-to-pedals)
● AM/FM radio
● Auto climate control/air conditioner/heater/pressurizer
● Built-in Operator's Manual storage compartment and manual
● Cell-phone power outlet, 12 volt, 60 watt, 5 amp
● Coat hook
● Deluxe suspension cloth seat with 100-mm (4 in.) adjustable armrests
● Floor mat
● Front windshield wiper with intermittent speeds
● Gauges (illuminated): Engine coolant / Fuel
● Horn, electric
● Hour meter, electric
● Hydraulic shutoff lever, all controls
● Hydraulic warm-up control
● Interior light
● Large cup holder
● Machine Information Center (MIC)

210 Operator's Station (Continued)
● Mode selectors (illuminated): Power modes (3) / Travel modes (2 with automatic shift) / Work mode (1)
● Multifunction, color LCD monitor with: Diagnostic capability / Multiple-language capabilities / Maintenance tracking / Clock / System monitoring with alarm features: Auto-idle indicator, engine air cleaner restriction indicator light, engine check, engine coolant temperature indicator light with audible alarm, engine oil pressure indicator light with audible alarm, low-alternator-charge indicator light, low-fuel indicator light, fault code alert indicator, fuel-rate display, wiper-mode indicator, work-lights-on indicator, and work-mode indicator
● Motion alarm with cancel switch (conforms to SAE J994)
● Power-boost switch on right console lever
● Auxiliary hydraulic control switches in right console lever
● SAE 2-lever control pattern
● Seat belt, 51 mm (2 in.), retractable
● Tinted glass
● Transparent tinted overhead hatch
● Hot/cold beverage compartment
▲ Air-suspension heated seat
▲ Hydraulic oil filter restriction indicator light
▲ Protection screens for cab front, rear, and side
▲ Seat belt, 76 mm (3 in.), non-retractable
▲ Window vandal-protection covers
Electrical
● 50-amp alternator
● Blade-type multi-fused circuits
● Positive-terminal battery covers
● ZXLink™ wireless communication system (available in specific countries; see your dealer for details)
▲ Rearview camera
▲ Cab extension wiring harness
Lights
● Work lights: Halogen / 1 mounted on boom / 1 mounted on frame
▲ 2 lights mounted on cab / 1 mounted on right side of boom

See your Hitachi dealer for further information.

Net engine power is with standard equipment including air cleaner, exhaust system, alternator, and cooling fan, at test conditions specified per ISO 9249. No derating is required up to 2000-m (6,560 ft.) altitude. Specifications and design subject to change without notice. Wherever applicable, specifications are in accordance with SAE standards. Except where otherwise noted, these specifications are based on units with 2.91-m (9 ft. 7 in.) arms; 1065-mm (42 in.), 0.91-m³ (1.19 cu. yd.), 886-kg (1,951 lb.) heavy-duty buckets; 4250-kg (9,361 lb.) counterweights; full fuel tanks; and 79-kg (175 lb.) operators; and a 210LC-5 unit with 800-mm (32 in.) triple semi-grouser shoes.

HITACHI

hitachiconstruction.com