

Parts List			
ITEM	QTY	SPE PART NUMBER	DESCRIPTION
1	1	7100	Main Chassis
2	1	7080	Pivot Bracket
3	1	7099	Phosphor Bronze Bush Holder & Assembly
4	2	7099A	Blade Tube Bush
5	1	7087	Bearing Carrier - R/H
6	1	7086	Bearing Carrier - L/H
7	3	11310	Bearing
8	1	7106	Back Panel
9	2	7107B	Half Handle
10	2	7107A	Handle Connector
11	2	9104	Handlebar Grip
12	1	7094	Tensioner Arm
13	1	11317	Tensioner Pulley
14	1	7101	Side Panel R/H
15	1	7090	Grease Nipple Holder
16	1	7091	Grease Nipple
17	2	10093	Push-In Connector
18	1	7093	Feed Pipe
19	1	7102	Side Panel L/H
20	1	7103	Front Panel



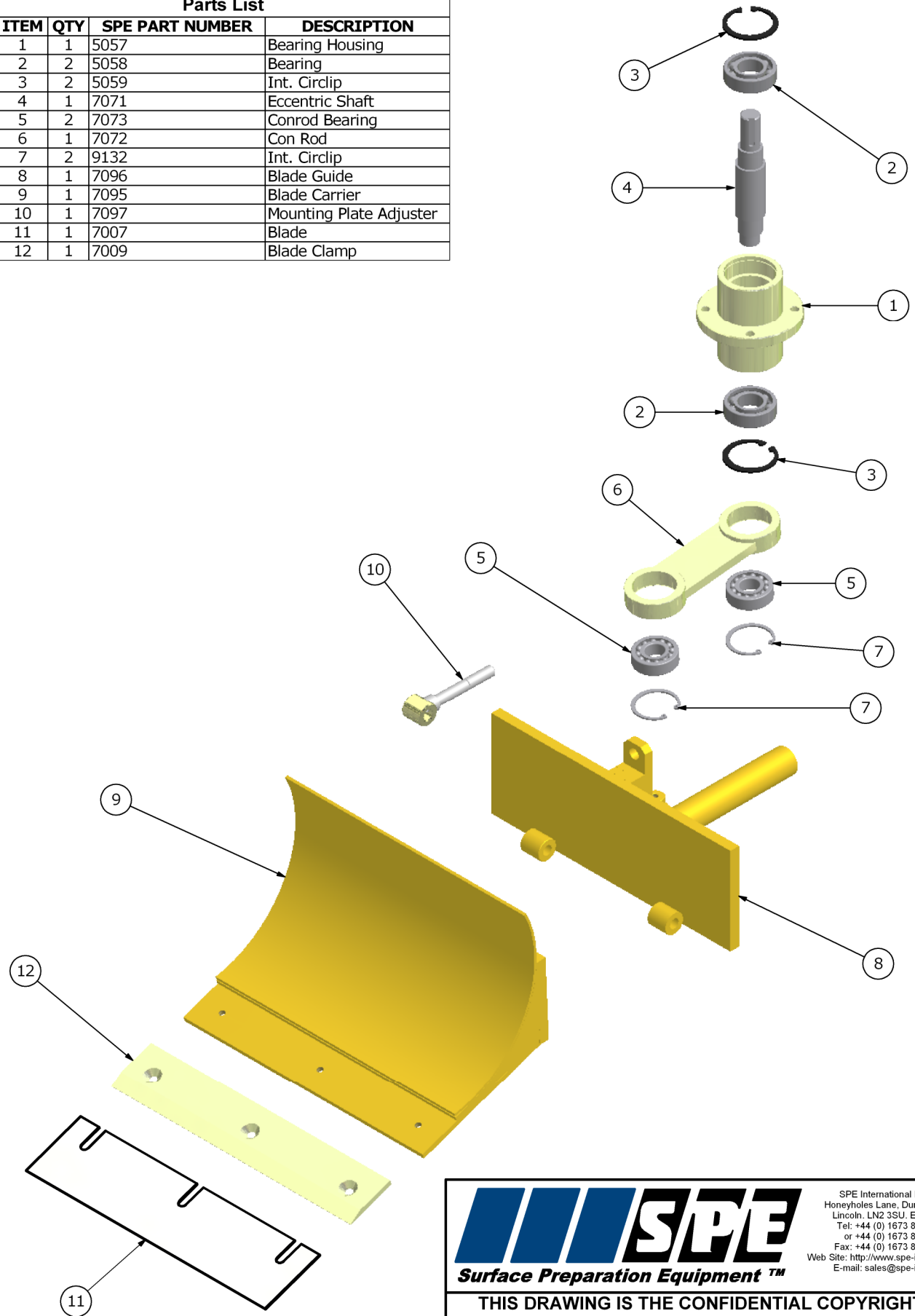
SPE International Limited  
 Honeyholes Lane, Dunholme  
 Lincoln, LN2 3SU, England  
 Tel: +44 (0) 1673 860 709  
 or +44 (0) 1673 860 330  
 Fax: +44 (0) 1673 861 119  
 Web Site: <http://www.spe-int.com>  
 E-mail: [sales@spe-int.com](mailto:sales@spe-int.com)

**THIS DRAWING IS THE CONFIDENTIAL COPYRIGHT  
 PROPERTY OF SPE INTERNATIONAL LIMITED**

Drawn	TITLE	Body Components
D.G.A.		
Checked	Drawing No.	MACHINE
R.C.	MS-330_Bdy-02	MS 330-2

*This drawing should not be used, copied, shown or handed to a third party without the prior written consent of SPE International Ltd.*

Parts List			
ITEM	QTY	SPE PART NUMBER	DESCRIPTION
1	1	5057	Bearing Housing
2	2	5058	Bearing
3	2	5059	Int. Circlip
4	1	7071	Eccentric Shaft
5	2	7073	Conrod Bearing
6	1	7072	Con Rod
7	2	9132	Int. Circlip
8	1	7096	Blade Guide
9	1	7095	Blade Carrier
10	1	7097	Mounting Plate Adjuster
11	1	7007	Blade
12	1	7009	Blade Clamp

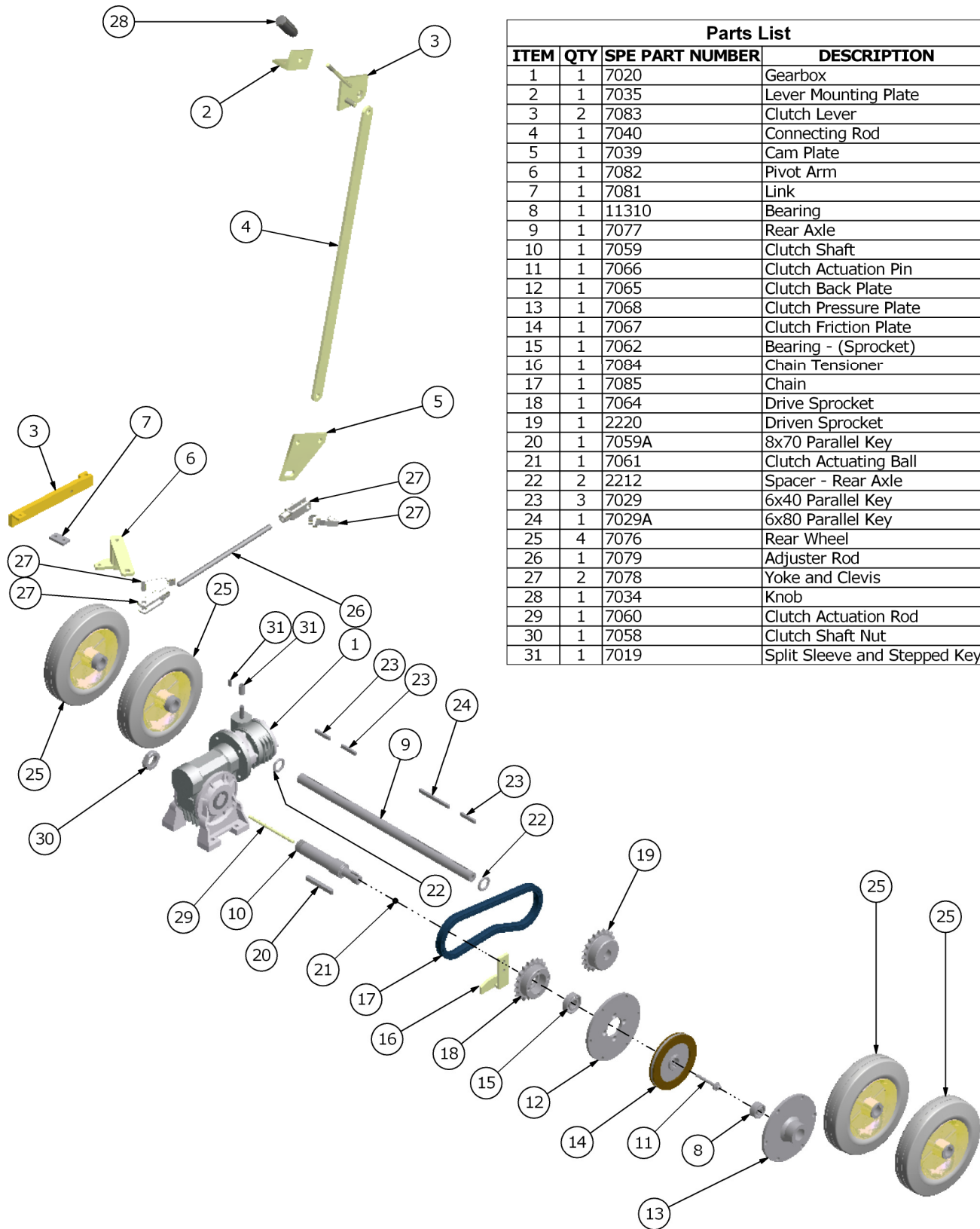


*This drawing should not be used, copied, shown or handed to a third party without the prior written consent of SPE International Ltd.*

SPE International Limited  
 Honeyholes Lane, Dunholme  
 Lincoln LN2 3SU, England  
 Tel: +44 (0) 1673 860 709  
 or +44 (0) 1673 860 330  
 Fax: +44 (0) 1673 861 119  
 Web Site: <http://www.spe-int.com>  
 E-mail: [sales@spe-int.com](mailto:sales@spe-int.com)

**THIS DRAWING IS THE CONFIDENTIAL COPYRIGHT PROPERTY OF SPE INTERNATIONAL LIMITED**

Drawn	TITLE Blade & Motion Components	
D.G.A.		
Checked	Drawing No.	MACHINE
R.C.	MS-330_Bld-02	MS 330-2



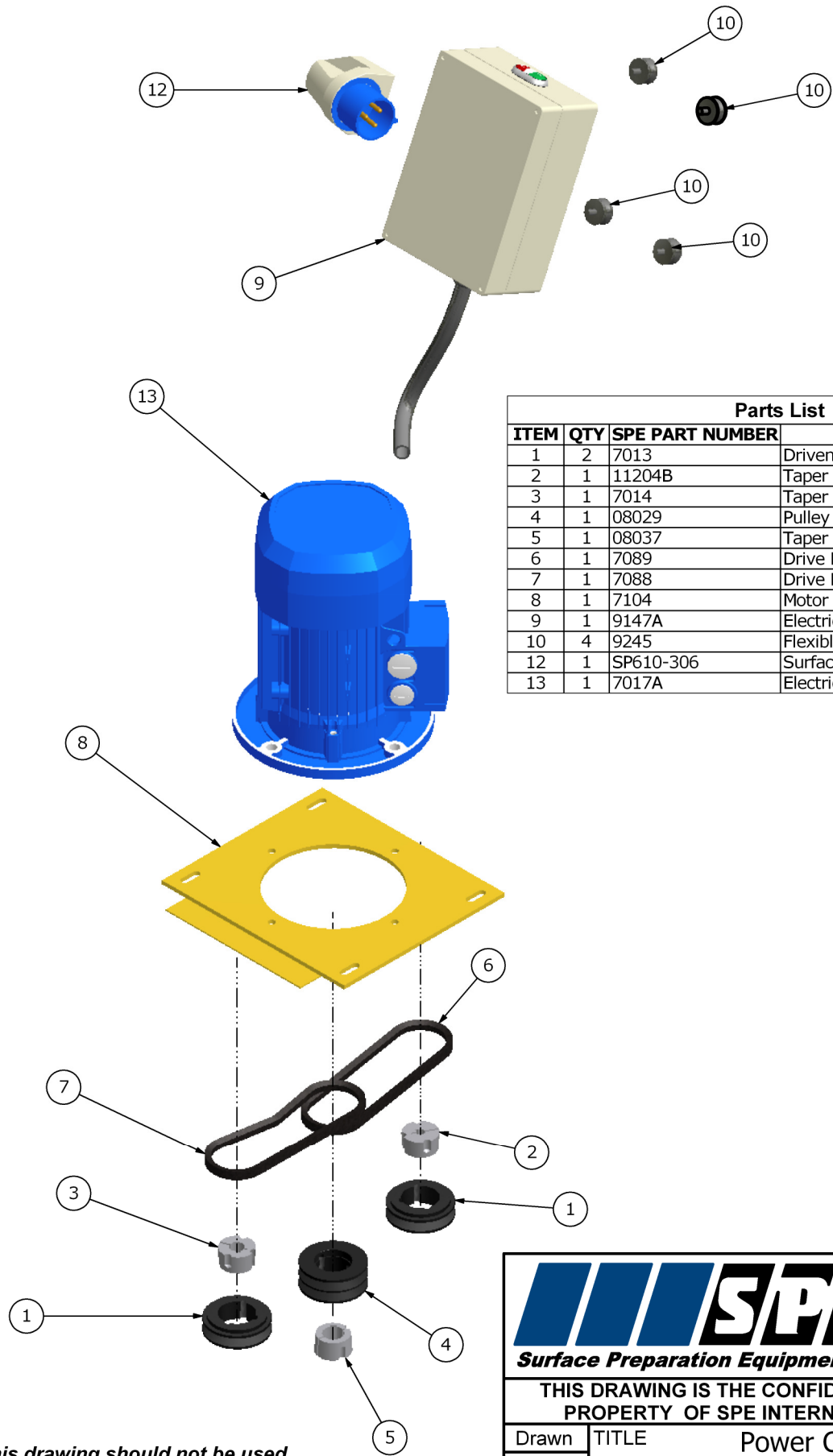
Parts List			
ITEM	QTY	SPE PART NUMBER	DESCRIPTION
1	1	7020	Gearbox
2	1	7035	Lever Mounting Plate
3	2	7083	Clutch Lever
4	1	7040	Connecting Rod
5	1	7039	Cam Plate
6	1	7082	Pivot Arm
7	1	7081	Link
8	1	11310	Bearing
9	1	7077	Rear Axle
10	1	7059	Clutch Shaft
11	1	7066	Clutch Actuation Pin
12	1	7065	Clutch Back Plate
13	1	7068	Clutch Pressure Plate
14	1	7067	Clutch Friction Plate
15	1	7062	Bearing - (Sprocket)
16	1	7084	Chain Tensioner
17	1	7085	Chain
18	1	7064	Drive Sprocket
19	1	2220	Driven Sprocket
20	1	7059A	8x70 Parallel Key
21	1	7061	Clutch Actuating Ball
22	2	2212	Spacer - Rear Axle
23	3	7029	6x40 Parallel Key
24	1	7029A	6x80 Parallel Key
25	4	7076	Rear Wheel
26	1	7079	Adjuster Rod
27	2	7078	Yoke and Clevis
28	1	7034	Knob
29	1	7060	Clutch Actuation Rod
30	1	7058	Clutch Shaft Nut
31	1	7019	Split Sleeve and Stepped Key

*This drawing should not be used, copied, shown or handed to a third party without the prior written consent of SPE International Ltd.*

SPE International Limited  
 Honeyholes Lane, Dunholme  
 Lincoln, LN2 3SU, England  
 Tel: +44 (0) 1673 860 709  
 or +44 (0) 1673 860 330  
 Fax: +44 (0) 1673 861 119  
 Web Site: <http://www.spe-int.com>  
 E-mail: [sales@spe-int.com](mailto:sales@spe-int.com)

**THIS DRAWING IS THE CONFIDENTIAL COPYRIGHT PROPERTY OF SPE INTERNATIONAL LIMITED**

Drawn	TITLE		Drive Components
D.G.A.			
Checked	Drawing No.	MACHINE	
R.C.	MS-330_Drv-02	MS 330-2	



Parts List			
ITEM	QTY	SPE PART NUMBER	DESCRIPTION
1	2	7013	Driven Pulley
2	1	11204B	Taper Lock Bush [1210 - 12mm]
3	1	7014	Taper Lock Bush [1210 - 20mm]
4	1	08029	Pulley
5	1	08037	Taper Lock Bush [1210 - 28mm]
6	1	7089	Drive Belt - Rear / Electric
7	1	7088	Drive Belt - Front / Electric
8	1	7104	Motor Mounting - Electric
9	1	9147A	Electrical Panel Assembly
10	4	9245	Flexible Mounts
12	1	SP610-306	Surface Mounted Plug
13	1	7017A	Electric Motor

*This drawing should not be used, copied, shown or handed to a third party without the prior written consent of SPE International Ltd.*

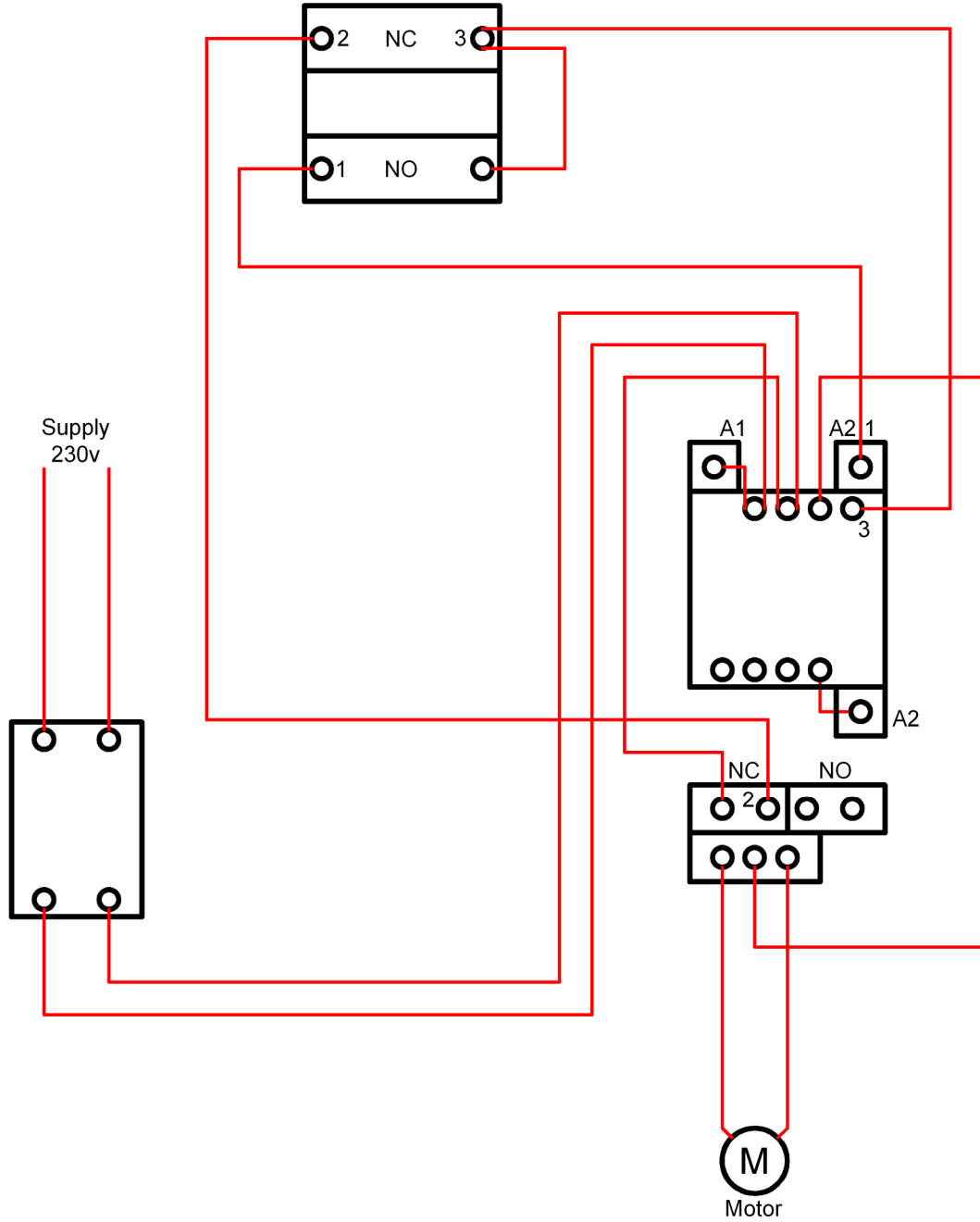


SPE International Limited  
 Honeyholes Lane, Dunholme  
 Lincoln, LN2 3SU, England  
 Tel: +44 (0) 1673 860 709  
 or +44 (0) 1673 860 330  
 Fax: +44 (0) 1673 861 119  
 Web Site: <http://www.spe-int.com>  
 E-mail: [sales@spe-int.com](mailto:sales@spe-int.com)

**THIS DRAWING IS THE CONFIDENTIAL COPYRIGHT PROPERTY OF SPE INTERNATIONAL LIMITED**

Drawn	TITLE		Power Components
D.G.A.			
Checked	Drawing No.	MACHINE	
R.C.	MS-330_Pwr-02	MS 330-2	

This drawing should not be used, copied, shown or handed to a third party without the prior written consent of SPE International Ltd.




**SPE**  
**Surface Preparation Equipment™**  
 SPE International Limited  
 Honeyholes Lane, Dunholme  
 Lincoln, LN2 3SU, England  
 Tel: +44 (0) 1673 860 709  
 or +44 (0) 1673 860 330  
 Fax: +44 (0) 1673 861 119  
 Web Site: www.spe-int.com  
 E-mail: sales@spe-int.com

THIS DRAWING IS THE CONFIDENTIAL COPYRIGHT PROPERTY OF SPE INTERNATIONAL Ltd.

Drawn	TITLE	
D.G.A.	Wiring Diagram	
Checked	Drawing No.	Machine
J.J.	MS-330_Elec-02	MS 330-2